

beko



Refrigerator
Холодильник-морозильник
Šaldytuvas
Ledusskapis

CBI 7771

Please read this manual first!

Dear Customer,

We hope that your product, which has been produced in modern plants and checked under the most meticulous quality control procedures, will provide you an effective service.

For this, we recommend you to carefully read the entire manual of your product before using it and keep it at hand for future references.




This manual

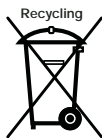
- Will help you use your appliance in a fast and safe way.
- Read the manual before installing and operating your product.
- Follow the instructions, especially those for safety.
- Keep the manual in an easily accessible place as you may need it later.
- Besides, read also the other documents provided with your product.

Please note that this manual may be valid for other models as well.

Symbols and their descriptions

This instruction manual contains the following symbols:

-  Important information or useful usage tips.
-  Warning against dangerous conditions for life and property.
-  Warning against electric voltage.



This product is supplied with the selective sorting symbol for waste electrical and electronic equipment (WEEE).

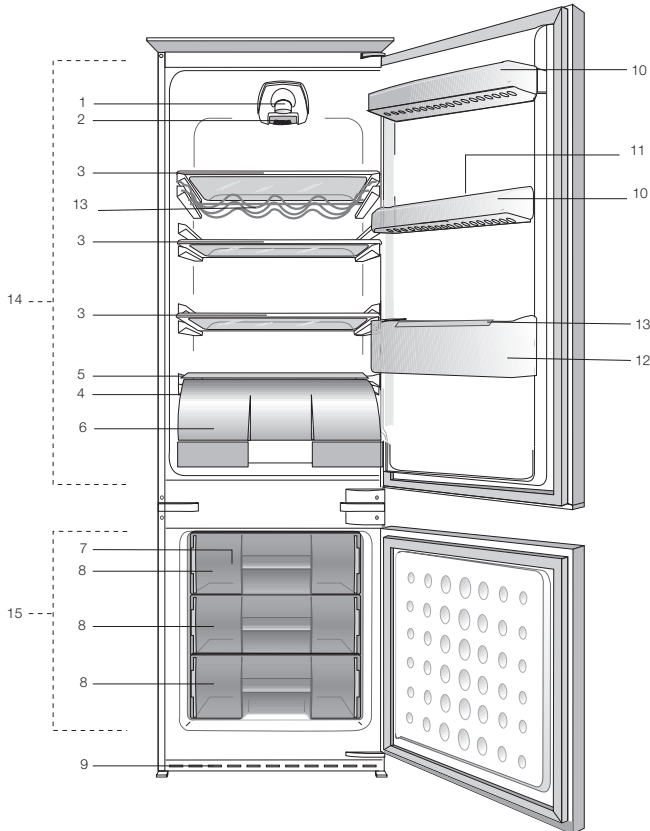
This means that this product must be handled pursuant to European Directive 2002/96/EC in order to be recycled or dismantled to minimise its impact on the environment. For further information, please contact your local or regional authorities.

Electronic products not included in the selective sorting process are potentially dangerous for the environment and human health due to the presence of hazardous substances.

CONTENTS

1 Your refrigerator	3	5 Using your refrigerator	13
		Thermostat setting button.....	13
		Defrost	13
		Zero temperature compartment.....	14
2 Important Safety Warnings	4	6 Maintenance and cleaning	15
Intended use	4	Protection of plastic surfaces	15
General safety	4	7 Recommended solutions for the problems	16
Child safety.....	6		
HCA Warning	6		
Things to be done for energy saving..	7		
Technical specifications of your refrigerator	7		
3 Installation	8		
Points to be considered when re-transporting your refrigerator	8		
Before operating your refrigerator	8		
Disposing of the packaging	9		
Disposing of your old refrigerator	9		
Placing and Installation	9		
Replacing the interior light bulb	10		
Reversing the doors	11		
4 Preparation	12		

1 Your refrigerator



- | | |
|---|-----------------------------|
| 1. Temperature setting knob | 8. Freezer compartment |
| 2. Interior light | 9. Air grille |
| 3. Adjustable shelves | 10. Adjustable door shelves |
| 4. Defrost water collection channel -
Drain tube | 11. Egg tray |
| 5. Crisper cover | 12. Bottle shelf |
| 6. 0 °C Compartment | 13. Bottle holder |
| 7. Ice bank | 14. Fridge compartment |
| | 15. Freezer compartment |

i Figures that take place in this instruction manual are schematic and may not correspond exactly with your product. If the subject parts are not included in the product you have purchased, then it is valid for other models.

2 Important Safety Warnings

Please review the following information. Failure to observe this information may cause injuries or material damage.

Otherwise, all warranty and reliability commitments will become invalid.

The usage life of the unit you purchased is 10 years. This is the period for keeping the spare parts required for the unit to operate as described.

Intended use

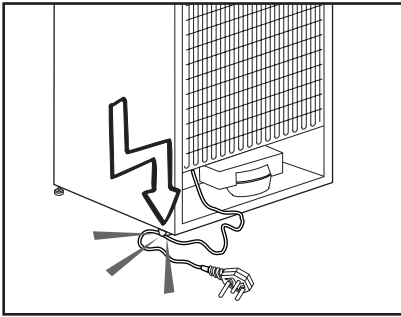
This product is intended to be used

- indoors and in closed areas such as homes;
- in closed working environments such as stores and offices;
- in closed accommodation areas such as farm houses, hotels, pensions.
- This product should not be used outdoors.

General safety

- When you want to dispose/scrap the product, we recommend you to consult the authorized service in order to learn the required information and authorized bodies.
- Consult your authorized service for all your questions and problems related to the refrigerator. Do not intervene or let someone intervene to the refrigerator without notifying the authorised services.
- For products with a freezer compartment; Do not eat cone ice cream and ice cubes immediately after you take them out of the freezer compartment! (This may cause frostbite in your mouth.)
- For products with a freezer compartment; Do not put bottled and canned liquid beverages in the freezer compartment. Otherwise, these may burst.
- Do not touch frozen food by hand; they may stick to your hand.
- Unplug your refrigerator before cleaning or defrosting.
- Vapor and vaporized cleaning materials should never be used in cleaning and defrosting processes of your refrigerator. In such cases, the vapor may get in contact with the electrical parts and cause short circuit or electric shock.
- Never use the parts on your refrigerator such as the door as a means of support or step.
- Do not use electrical devices inside the refrigerator.
- Do not damage the parts, where the refrigerant is circulating, with drilling or cutting tools. The refrigerant that might blow out when the gas channels of the evaporator, pipe extensions or surface coatings are punctured causes skin irritations and eye injuries.
- Do not cover or block the ventilation holes on your refrigerator with any material.
- Electrical devices must be repaired by only authorised persons. Repairs performed by incompetent persons create a risk for the user.
- In case of any failure or during a maintenance or repair work, disconnect your refrigerator's mains supply by either turning off the relevant fuse or unplugging your appliance.

- Do not pull by the cable when pulling off the plug.
- Place the beverage with higher proofs tightly closed and vertically.
- Never store spray cans containing flammable and explosive substances in the refrigerator.
- Do not use mechanical devices or other means to accelerate the defrosting process, other than those recommended by the manufacturer.
- This product is not intended to be used by persons with physical, sensory or mental disorders or unlearned or inexperienced people (including children) unless they are attended by a person who will be responsible for their safety or who will instruct them accordingly for use of the product
- Do not operate a damaged refrigerator. Consult with the service agent if you have any concerns.
- Electrical safety of your refrigerator shall be guaranteed only if the earth system in your house complies with standards.
- Exposing the product to rain, snow, sun and wind is dangerous with respect to electrical safety.
- Contact authorized service when there is a power cable damage to avoid danger.
- Never plug the refrigerator into the wall outlet during installation. Otherwise, risk of death or serious injury may arise.
- This refrigerator is intended for only storing food items. It must not be used for any other purpose.
- Label of technical specifications is located on the left wall inside the refrigerator.
- Never connect your refrigerator to electricity-saving systems; they may damage the refrigerator.
- If there is a blue light on the refrigerator, do not look at the blue light with optical tools.
- For manually controlled refrigerators, wait for at least 5 minutes to start the refrigerator after power failure.
- This operation manual should be handed in to the new owner of the product when it is given to others.
- Avoid causing damage on power cable when transporting the refrigerator. Bending cable may cause fire. Never place heavy objects on power cable. Do not touch the plug with wet hands when plugging the product.
- Do not plug the refrigerator if the wall outlet is loose.
- Water should not be sprayed directly on inner or outer parts of the product for safety purposes.
- Do not spray substances containing inflammable gases such as propane gas near the refrigerator to avoid fire and explosion risk.
- Never place containers filled with water on top of the refrigerator, otherwise this may cause electric shock or fire.
- Do not overload your refrigerator with excessive amounts of food. If overloaded, the food items may fall down and hurt you and damage refrigerator when you open the door. Never place objects on top of the refrigerator; otherwise, these objects may fall down when you open or close the refrigerator's door.



- As they require a precise temperature, vaccines, heat-sensitive medicine and scientific materials and etc. should not be kept in the refrigerator.
- If not to be used for a long time, refrigerator should be unplugged. A possible problem in power cable may cause fire.
- The plug's tip should be regularly cleaned; otherwise, it may cause fire.
- Refrigerator may move if adjustable legs are not properly secured on the floor. Properly securing adjustable legs on the floor can prevent the refrigerator to move.
- When carrying the refrigerator, do not hold it from door handle. Otherwise, it may be snapped.
- When you have to place your product next to another refrigerator or freezer, the distance between devices should be at least 8cm. Otherwise, adjacent side walls may be humidified.

For products with a water dispenser;

Pressure of water mains should be minimum 1 bar. Pressure of water mains should be maximum 8 bars.

- Use only potable water.

Child safety

- If the door has a lock, the key should be kept away from reach of children.
- Children must be supervised to prevent them from tampering with the product.

HCA Warning

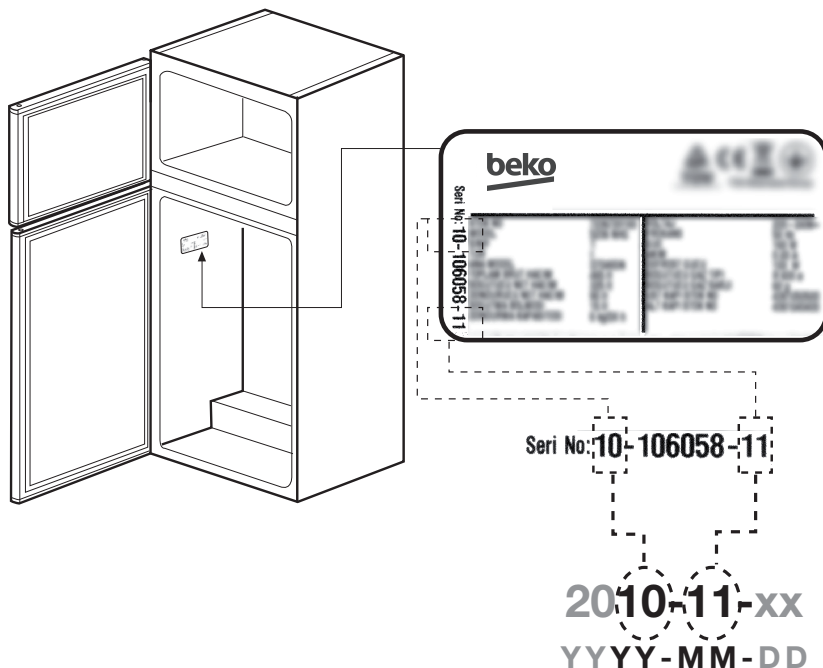
If your product's cooling system contains R600a:

This gas is flammable. Therefore, pay attention to not damaging the cooling system and piping during usage and transportation. In the event of damage, keep your product away from potential fire sources that can cause the product catch a fire and ventilate the room in which the unit is placed.

Ignore this warning if your product's cooling system contains R134a.

Type of gas used in the product is stated in the type plate which is on the left wall inside the refrigerator.

Never throw the product in fire for disposal.



Things to be done for energy saving

- Do not leave the doors of your refrigerator open for a long time.
- Do not put hot food or drinks in your refrigerator.
- Do not overload your refrigerator so that the air circulation inside of it is not prevented.
- Do not install your refrigerator under direct sunlight or near heat emitting appliances such as ovens, dishwashers or radiators.
- Pay attention to keep your food in closed containers.
- For products with a freezer compartment; You can store maximum amount of food items in the freezer when you remove the shelf or drawer of the freezer. Energy consumption value stated for your refrigerator has been determined by removing freezer shelf or drawer and under maximum load. There is no harm to use a shelf or drawer according to the shapes and size of food to be frozen.
- Thawing frozen food in fridge compartment will both provide energy saving and preserve the food quality.

Technical specifications of your refrigerator	
Energy efficiency class	A+
Protection class	1
Protection level	IP 42

3 Installation

⚠ Please remember that the manufacturer shall not be held liable if the information given in the instruction manual is not observed.

Points to be considered when re-transporting your refrigerator

1. Your refrigerator must be emptied and cleaned prior to any transportation.
2. Shelves, accessories, crisper and etc. in your refrigerator must be fastened securely by adhesive tape against any jolt before repackaging.
3. Packaging must be tied with thick tapes and strong ropes and the rules of transportation printed on the package must be followed.

Please do not forget...

Every recycled material is an indispensable source for the nature and for our national resources.

If you wish to contribute to recycling the packaging materials, you can get further information from the environmental bodies or local authorities.

Before operating your refrigerator

Before starting to use your refrigerator check the following:

1. Is the interior of the refrigerator dry and can the air circulate freely in the rear of it?
2. Clean the interior of the refrigerator as recommended in the "Maintenance and cleaning" section.

3. Plug the refrigerator into the wall outlet. When the fridge door is open the fridge compartment interior light will come on.
4. You will hear a noise as the compressor starts up. The liquid and gases sealed within the refrigeration system may also give rise to noise, even if the compressor is not running and this is quite normal.
5. Front edges of the refrigerator may feel warm. This is normal. These areas are designed to be warm to avoid condensation.

Electric connection

Connect your product to a grounded socket which is being protected by a fuse with the appropriate capacity.

Important:

- The connection must be in compliance with national regulations.
- The power cable plug must be easily accessible after installation.
- The specified voltage must be equal to your mains voltage.
- Extension cables and multiway plugs must not be used for connection.

⚠ A damaged power cable must be replaced by a qualified electrician.

⚠ Product must not be operated before it is repaired! There is danger of electric shock!

Disposing of the packaging

The packing materials may be dangerous for children. Keep the packing materials out of the reach of children or dispose them of by classifying them in accordance with the waste instructions. Do not dispose them of along with the normal household waste.

The packing of your refrigerator is produced from recyclable materials.

Disposing of your old refrigerator

Dispose of your old machine without giving any harm to the environment.

- You may consult your authorized dealer or waste collection center of your municipality about the disposal of your refrigerator.

Before disposing of your refrigerator, cut out the electric plug and, if there are any locks on the door, make them inoperable in order to protect children against any danger.

Placing and Installation

1. Install your refrigerator to a place that allows ease of use.
2. Keep your refrigerator away from heat sources, humid places and direct sunlight.
3. There must be appropriate air ventilation around your refrigerator in order to achieve an efficient operation. If the refrigerator is to be placed in a recess in the wall, there must be at least 5 cm distance with the ceiling and at least 5 cm with the wall. If the floor is covered with a carpet, your product must be elevated 2.5 cm from the floor.
4. Place your refrigerator on an even floor surface to prevent jolts.
5. Do not keep your refrigerator in ambient temperatures under 10°C.

i This appliance is designed to operate at temperatures specified in the table below is equipped with Advanced Electronic Temperature Control System [AETCS] which ensures that at the advised setting [4

- four on the knob] the frozen food in the freezer will not defrost even if the ambient temperature falls as low as -15 °C.

When first installed the product MUST NOT be placed in low ambient temperatures because the freezer will not reduce to its standard operating temperature. Once it has reached its steady operating state it can be re-located.

So you may then install your appliance in a garage or an unheated room without having to worry about frozen food in the freezer being spoilt. However at low ambient temperatures mentioned above, fridge contents are likely to freeze, so check and consume food in the fridge accordingly. When the ambient temperature returns to normal, you may change the knob setting to suit your needs.

i If the ambient temperature is below 0°C, the food in the fridge compartment will freeze. So, we recommend you don't use the fridge compartment in such low ambient conditions. You can continue using the freezer compartment as usual.

Replacing the interior light bulb

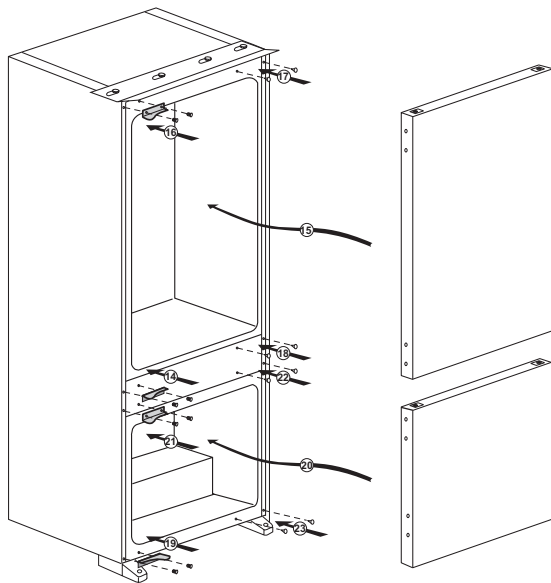
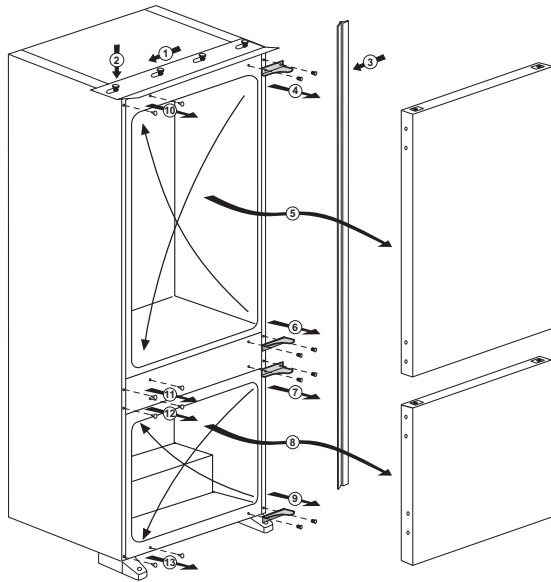
To change the Bulb/LED used for illumination of your refrigerator, call your AuthorisedService.

The lamp(s) used in this appliance is not suitable for household room illumination. The intended purpose of this lamp is to assist the user to place foodstuffs in the refrigerator/freezer in a safe and comfortable way.

The lamps used in this appliance have to withstand extreme physical conditions such as temperatures below -20°C .

Reversing the doors

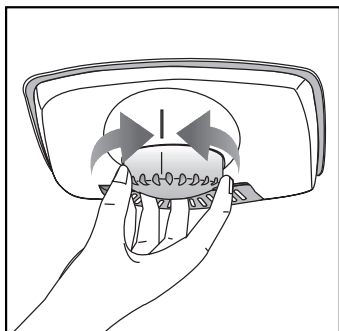
Proceed in numerical order



4 Preparation

- i** Your refrigerator should be installed at least 30 cm away from heat sources such as hobs, ovens, central heater and stoves and at least 5 cm away from electrical ovens and should not be located under direct sunlight.
- i** The ambient temperature of the room where you install your refrigerator should at least be 10°C. Operating your refrigerator under cooler conditions than this is not recommended with regard to its efficiency.
- i** Please make sure that the interior of your refrigerator is cleaned thoroughly.
- i** If two refrigerators are to be installed side by side, there should be at least 2 cm distance between them.
- i** When you operate your refrigerator for the first time, please observe the following instructions during the initial six hours.
 - The door should not be opened frequently.
 - It must be operated empty without any food in it.
 - Do not unplug your refrigerator. If a power failure occurs out of your control, please see the warnings in the “Recommended solutions for the problems” section.
- i** Original packaging and foam materials should be kept for future transportations or moving.

5 Using your refrigerator



Thermostat setting button

The interior temperature of your refrigerator changes for the following reasons;

- Seasonal temperatures,
- Frequent opening of the door and leaving the door open for long periods,
- Food put into the refrigerator without cooling down to the room temperature,
- The location of the refrigerator in the room (e.g. exposing to sunlight).
- You may adjust the varying interior temperature due to such reasons by using the thermostat. Numbers around the thermostat button indicates the cooling degrees.
- If the ambient temperature is higher than 32 °C, turn the thermostat button to maximum position.
- If the ambient temperature is lower than 25 °C, turn the thermostat button to minimum position.

Defrost

Fridge compartment

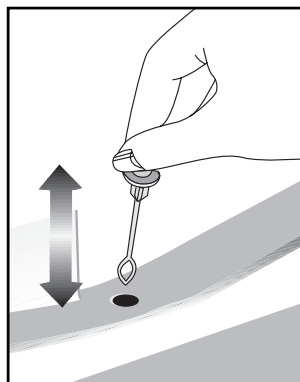
Fridge compartment performs full-automatic defrosting. Water drops and a frosting up to 7-8 mm can occur on the inner rear wall of the fridge compartment while your refrigerator cools down. Such formation is normal as a result of the cooling system. The frost formation is defrosted by performing automatic defrosting with certain intervals thanks to the automatic defrosting system of the rear wall. User is not required to scrape the frost or remove the water drops.

Water resulting from the defrosting passes from the water collection groove and flows into the evaporator through the drain pipe and evaporates here by itself.

Check regularly to see if the drain pipe is clogged or not and clear it with the stick in the hole when necessary.

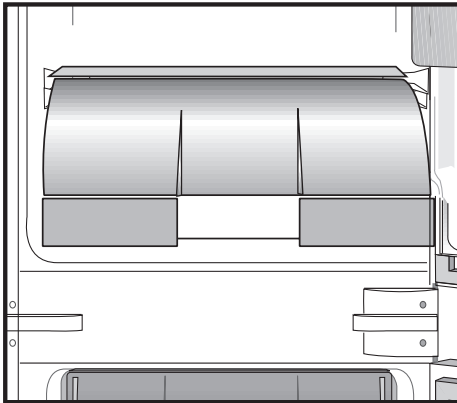
Deep freezer compartment does not perform automatic defrosting in order to prevent decaying of the frozen food

The freezer compartment defrosts automatically.



Zero temperature compartment

This compartment has been designed to store frozen food which would be thawed slowly (meat, fish, chicken, etc.) as required. Zero temperature compartment is the coldest place of your refrigerator in which dairy products (cheese, butter), meat, fish or chicken may be kept at ideal storage conditions. Vegetables and/or fruits must not be placed in this compartment.



6 Maintenance and cleaning

- ⚠ Never use gasoline, benzene or similar substances for cleaning purposes.
- ⚠ We recommend that you unplug the appliance before cleaning.
- ⚠ Never use any sharp abrasive instrument, soap, household cleaner, detergent and wax polish for cleaning.
- ℹ Use lukewarm water to clean the cabinet of your refrigerator and wipe it dry.
- ℹ Use a damp cloth wrung out in a solution of one teaspoon of bicarbonate of soda to one pint of water to clean the interior and wipe it dry.
- ⚠ Make sure that no water enters the lamp housing and other electrical items.
- ⚠ If your refrigerator is not going to be used for a long period of time, unplug the power cable, remove all food, clean it and leave the door ajar.
- ℹ Check door seals regularly to ensure they are clean and free from food particles.
- ⚠ To remove door racks, remove all the contents and then simply push the door rack upwards from the base.

Protection of plastic surfaces

- ℹ Do not put the liquid oils or oil-cooked meals in your refrigerator in unsealed containers as they damage the plastic surfaces of your refrigerator. In case of spilling or smearing oil on the plastic surfaces, clean and rinse the relevant part of the surface at once with warm water.

7 Recommended solutions for the problems

Please review this list before calling the service. It might save you time and money. This list includes frequent complaints that are not arising from defective workmanship or material usage. Some of the features described here may not exist in your product.

The refrigerator does not operate.

- Is the refrigerator properly plugged in? Insert the plug to the wall socket.
- Is the fuse of the socket which your refrigerator is connected to or the main fuse blown out? Check the fuse.

Condensation on the side wall of the fridge compartment (MULTIZONE, COOL CONTROL and FLEXI ZONE).

- Very cold ambient conditions. Frequent opening and closing of the door. Highly humid ambient conditions. Storage of food containing liquid in open containers. Leaving the door ajar. Switching the thermostat to a colder degree.
- Decreasing the time the door left open or using it less frequently.
- Covering the food stored in open containers with a suitable material.
- Wipe the condensation using a dry cloth and check if it persists.

Compressor is not running

- Protective thermic of the compressor will blow out during sudden power failures or plug-out plug-ins as the refrigerant pressure in the cooling system of the refrigerator has not been balanced yet. Your refrigerator will start running approximately after 6 minutes. Please call the service if the refrigerator does not startup at the end of this period.
- The fridge is in defrost cycle. This is normal for a full-automatically defrosting refrigerator. Defrosting cycle occurs periodically.
- Your refrigerator is not plugged into the socket. Make sure that the plug is properly fit into the socket.
- Are the temperature adjustments correctly made?
- Power might be cut off.

The fridge is running frequently or for a long time.

- Your new product may be wider than the previous one. This is quite normal. Large refrigerators operate for a longer period of time.
- The ambient room temperature may be high. This is quite normal.
- The refrigerator might have been plugged in recently or might have been loaded with food. Cooling down of the refrigerator completely may last for a couple of hours longer.
- Large amounts of hot food might have been put in the refrigerator recently. Hot food causes longer running of the refrigerator until they reach the safe storage temperature.
- Doors might have been opened frequently or left ajar for a long time. The warm air that has entered into the refrigerator causes the refrigerator to run for longer periods. Open the doors less frequently.
- Freezer or fridge compartment door might have been left ajar. Check if the doors are tightly closed.
- The refrigerator is adjusted to a very low temperature. Adjust the refrigerator temperature to a warmer degree and wait until the temperature is achieved.
- Door seal of the fridge or freezer may be soiled, worn out, broken or not properly seated. Clean or replace the seal. Damaged/broken seal causes the refrigerator to run for a longer period of time in order to maintain the current temperature.

Freezer temperature is very low while the fridge temperature is sufficient.

- The freezer temperature is adjusted to a very low temperature. Adjust the freezer temperature to a warmer degree and check.

Fridge temperature is very low while the freezer temperature is sufficient.

- The fridge temperature might have been adjusted to a very low temperature. Adjust the fridge temperature to a warmer degree and check.

Food kept in the fridge compartment drawers are freezing.

- The fridge temperature might have been adjusted to a very low temperature. Adjust the fridge temperature to a warmer degree and check.

Temperature in the fridge or freezer is very high.

- The fridge temperature might have been adjusted to a very high degree. Fridge adjustment has an effect on the temperature of the freezer. Change the temperature of the fridge or freezer until the fridge or freezer temperature reaches to a sufficient level.
- Doors might have been opened frequently or left ajar for a long time; open them less frequently.
- Door might have been left ajar; close the door completely.
- Large amount of hot food might have been put in the refrigerator recently. Wait until the fridge or freezer reaches the desired temperature.
- The refrigerator might have been plugged in recently. Cooling down of the refrigerator completely takes time.

The operation noise increases when the refrigerator is running.
<ul style="list-style-type: none"> • The operating performance of the refrigerator may change due to the changes in the ambient temperature. It is normal and not a fault.
Vibrations or noise.
<ul style="list-style-type: none"> • The floor is not even or it is weak. The refrigerator rocks when moved slowly. Make sure that the floor is strong enough to carry the refrigerator, and level. • The noise may be caused by the items put onto the refrigerator. Items on top of the refrigerator should be removed.
There are noises coming from the refrigerator like liquid spilling or spraying.
<ul style="list-style-type: none"> • Liquid and gas flows happen in accordance with the operating principles of your refrigerator. It is normal and not a fault.
There is a noise like wind blowing.
<ul style="list-style-type: none"> • Fans are used in order to cool the refrigerator. It is normal and not a fault.
Condensation on the inner walls of refrigerator.
<ul style="list-style-type: none"> • Hot and humid weather increases icing and condensation. It is normal and not a fault. • Doors might have been left ajar; make sure that the doors are closed fully. • Doors might have been opened frequently or left ajar for a long time; open them less frequently.
Humidity occurs on the outside of the refrigerator or between the doors.
<ul style="list-style-type: none"> • There might be humidity in the air; this is quite normal in humid weather. When the humidity is less, condensation will disappear.
Bad odor inside the refrigerator.
<ul style="list-style-type: none"> • Inside of the refrigerator must be cleaned. Clean the inside of the refrigerator with a sponge, lukewarm water or carbonated water. • Some containers or package materials might cause the smell. Use a different container or different brand packaging material.
The door is not closing.
<ul style="list-style-type: none"> • Food packages may prevent the door's closing. Replace the packages that are obstructing the door. • The refrigerator is not completely upright on the floor and rocking when slightly moved. Adjust the elevation screws. • The floor is not level or strong. Make sure that the floor is level and capable to carry the refrigerator.
Crispers are stuck.
<ul style="list-style-type: none"> • The food might be touching the ceiling of the drawer. Rearrange food in the drawer.

Producer: «Arctic S.A.»

Address: 135200, 210, 13 December st., Gaesti, Romania

Made in Romania

The manufacture date is included in the serial number of a product specified on rating label, which is located on a product, namely: first two figures of serial number indicate the year of manufacture, and last two – the month. For example, "10-100001-05" indicates that the product was produced in May, 2010.

You can ask for certification number from our Call Center 8-800-200-23-56

Обязательно прочтите данное руководство!

Уважаемый покупатель!

Надеемся, что наше изделие, изготовленное на современном оборудовании, и прошедшее тщательный контроль качества, будет надежно служить вам.




Поэтому, прежде чем пользоваться прибором, рекомендуем внимательно изучить данное руководство и всегда держать его под рукой в качестве справочника.

Данное руководство

- Поможет вам быстро и безопасно пользоваться изделием.
 - Прежде чем устанавливать изделие и пользоваться им, прочтите руководство.
 - Соблюдайте инструкции, особенно в отношении техники безопасности.
 - Храните руководство в легко доступном месте, так как оно может понадобиться вам в будущем.
 - Кроме того, прочитайте другие документы, поставляющиеся в комплекте с изделием.
- Учтите, что данное руководство по эксплуатации может применяться и для других моделей.

Условные обозначения

В данном руководстве по эксплуатации используются следующие условные обозначения:

-  Важная информация или полезные советы по эксплуатации.
-  Предупреждение об опасности для жизни и имущества.
-  Предупреждение об опасном электрическом напряжении.

Переработка

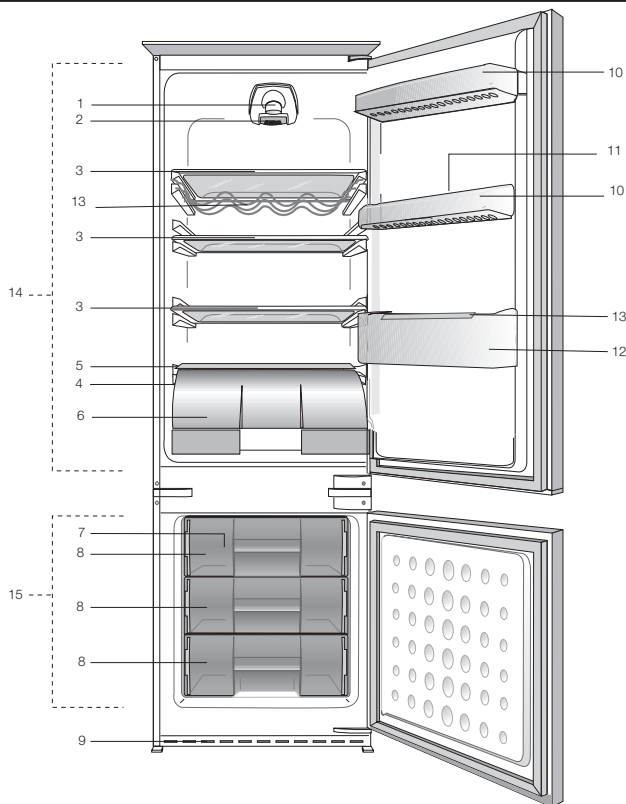


На данное изделие нанесен символ избирательной сортировки для отходов электрического и электронного оборудования (WEEE). Это значит, что с данным изделием следует обращаться в соответствии с Европейской Директивой 2002/96/EC с целью его переработки или разборки для уменьшения отрицательного воздействия на окружающую среду. За дополнительной информацией обратитесь в местные или региональные органы власти. Электронная техника, не включенная в процесс избирательной сортировки отходов, представляет потенциальную опасность для окружающей среды и здоровья людей из-за наличия в ней опасных веществ.

СОДЕРЖАНИЕ

1 Холодильник	3	4 Подготовка	12
2 Важные указания по технике безопасности	4	5 Эксплуатация холодильника	13
Использование по назначению	4	Регулятор температуры	13
Общие правила техники безопасности ...	4	Размораживание	13
Защита от детей	6	Камера нулевой температуры.....	14
Предупреждение органов здоровоохранения	6	6 Обслуживание и чистка	15
Рекомендации по экономии электроэнергии.....	7	Защита пластмассовых поверхностей .	15
Технические характеристики.....	7	7 Рекомендации по устранению неисправностей	16
3 Установка	8		
Подготовка	8		
Правила транспортировки холодильника	8		
Подготовка к эксплуатации	8		
Подключение к электросети	9		
Утилизация упаковки	9		
Утилизация старого холодильника	9		
Замена лампочки внутреннего освещения	10		
Перевешивание дверей.....	11		

1 Холодильник



- | | |
|--|-----------------------------|
| 1. Регулятор температуры | 9. Вентиляционная решетка |
| 2. Лампочка внутреннего освещения | 10. Съемные полки на дверце |
| 3. Съемные полки | 11. Лоток для яиц |
| 4. Канал для слива талой воды – сливная трубка | 12. Полка для бутылок |
| 5. Крышка контейнера для фруктов и овощей | 13. Держатель для бутылок |
| 6. Отделение 0°C | 14. Холодильное отделение |
| 7. Контейнер для льда | 15. Морозильное отделение |
| 8. Морозильное отделение | |

i Иллюстрации в данной инструкции являются схематичными и могут не соответствовать вашей модели. Некоторые компоненты, которые не входят в состав приобретенного вами изделия, используются в других моделях.

2 Важные указания по технике безопасности

Обязательно ознакомьтесь со следующей информацией.

Игнорирование данной информации может привести к причинению травм или повреждению имущества. Кроме того, гарантийные обязательства и обязательства по эксплуатационной надёжности утратят силу.

Срок службы приобретенного вами изделия составляет 10 лет. Это срок, в течение которого предоставляются запасные части, необходимые для нормальной работы изделия.

Использование по назначению

Это изделие предназначено для использования

- в помещениях и на закрытых пространствах, например, в доме;
- в закрытых рабочих помещениях, например, в магазинах и офисах;
- в закрытых жилых помещениях, например, в загородных домах, гостиницах, пансионатах.
- Это изделие предназначено для использования только в помещении.

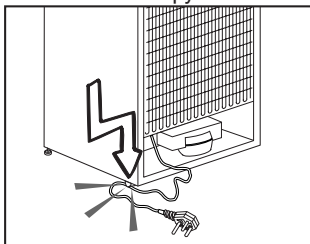
Общие правила техники безопасности

- В случае необходимости утилизировать или уничтожить изделие для получения необходимой информации рекомендуется обратиться в фирменный сервисный центр, а также в местные органы власти.
- По всем вопросам, касающимся холодильника, обращайтесь в фирменный сервисный центр. Не вмешивайтесь в работу изделия и не разрешайте этого другим без уведомления фирменного сервисного центра.
- Для изделий с морозильным отделением: не ешьте мороженое в рожках и кубики льда сразу после их извлечения из морозильного

отделения! (Это может вызвать обморожение полости рта.)

- Для изделий с морозильным отделением: не помещайте напитки в бутылках и банках в морозильное отделение. Они могут лопнуть.
- Не дотрагивайтесь до замороженных продуктов – они могут примерзнуть к рукам.
- Отключайте холодильник от сети перед чисткой или размораживанием.
- Ни в коем случае не используйте для чистки и размораживания холодильника пар или аэрозольные чистящие средства. В этом случае пар может попасть на электрические компоненты, что приведет к короткому замыканию или поражению электрическим током.
- Ни в коем случае не используйте холодильник или его части (например, дверцу) в качестве подставки или опоры.
- Не используйте электрические приборы внутри холодильника.
- Не допускайте повреждения частей, в которых циркулирует хладагент, используя режущие или сверлильные инструменты. Хладагент может вырваться из пробитого испарителя, трубопроводов или покрытий поверхности и вызвать раздражение кожи и поражение глаз.
- Ни в коем случае не закрывайте и не закупоривайте вентиляционные отверстия холодильника.
- Ремонт электрического оборудования должны производить только квалифицированные специалисты. Ремонт, выполненный некомпетентными лицами, может создать опасность для потребителя.
- В случае неполадок во время эксплуатации, а также при проведении техобслуживания или ремонта отключите холодильник, выключив соответствующий предохранитель или вынув шнур питания из розетки.

- Не тяните за сетевой шнур, вынимая вилку из розетки.
- Крепкие спиртные напитки следует хранить в плотно закрытом виде и вертикальном положении.
- Нельзя хранить в холодильнике банки с горючими и взрывоопасными веществами.
- Для ускорения процесса размораживания не используйте механические устройства или другие средства, кроме тех, которые рекомендованы производителем.
- Данный электроприбор не предназначен для использования лицами (включая детей) с ограниченными физическими, сенсорными и интеллектуальными возможностями либо не имеющими опыта и знаний. Они могут пользоваться электроприбором только под наблюдением лица, ответственного за их безопасность, или под его руководством.
- Ни в коем случае нельзя пользоваться неисправным холодильником. При возникновении вопроса обращайтесь к квалифицированному специалисту.
- Электрическая безопасность гарантируется только в том случае, если система заземления в вашем доме соответствует стандартам.
- Воздействие на устройство дождя, снега, солнца или ветра опасно с точки зрения электробезопасности.
- В случае повреждения шнура питания и т.п. обратитесь в фирменный сервисный центр, чтобы не подвергать себя опасности.
- Ни в коем случае нельзя включать холодильник в розетку во время установки. Это может привести к серьезным травмам или смерти.
- Этот холодильник предназначен только для хранения пищевых продуктов. Его нельзя использовать для каких-либо иных целей.
- Табличка с техническими характеристиками находится слева на внутренней стенке холодильника.
- Ни в коем случае нельзя подключать холодильник к электронным системам экономии электроэнергии, поскольку это может привести к его поломке.
- При наличии в холодильнике синей подсветки не смотрите на нее через оптические устройства.
- При отключении от сети электропитания холодильника с ручным управлением подождите не менее 5 минут, прежде чем подключать его снова.
- В случае продажи изделия эту инструкцию по эксплуатации следует передать новому владельцу.
- При транспортировке холодильника избегайте повреждения шнура питания. Изгибание шнура питания может привести к возгоранию. Не ставьте на него тяжелые предметы. При подключении холодильника к сети электропитания не прикасайтесь к вилке влажными руками.



- Ни в коем случае нельзя подключать холодильник к плохо закрепленной стенной розетке сети электропитания.
- Из соображений безопасности не допускайте попадания воды на внешние или внутренние части холодильника.
- Не распыляйте рядом с холодильником воспламеняющиеся газы, такие как газ пропан, ввиду риска пожара или взрыва.
- Не ставьте сосуды с водой на холодильник, поскольку это может привести к поражению электрическим током или пожару.
- Не загружайте холодильник продуктами сверх меры. Если холодильник перегружен, продукты

могут выпасть при открытии дверцы и травмировать вас или повредить холодильник. Не кладите предметы на холодильник, поскольку они могут упасть при открытии или закрытии дверцы.

- В холодильнике нельзя хранить вещества, требующие определенных температурных условий, такие как вакцины, термочувствительные медикаменты, материалы для научных исследований и т.п.
- Холодильник следует отключить от электросети, если он не будет использоваться в течение длительного времени. Неисправность шнура питания может привести к возгоранию.
- Необходимо регулярно очищать концы вилки шнура электропитания; несоблюдение этого условия может привести к пожару.
- Холодильник может смещаться, если регулируемые ножки не зафиксированы на полу. Фиксирование регулируемых ножек на полу предотвратит смещение холодильника.
- При перемещении холодильника не держите его за ручку. В противном случае он может поломаться.
- При установке холодильника расстояние между ним и другим холодильником или морозильником должно составлять минимум 8 см. В противном случае боковые прилегающие стенки будут увлажняться.

Для изделий с раздатчиком охлажденной воды:

Давление в водопроводной линии не должно быть ниже 1 бара. Давление в водопроводной линии не должно быть выше 8 бар.

- Используйте только питьевую воду.

Безопасность детей

- Если на дверце есть замок, ключ следует хранить в недоступном для детей месте.
- Следует присматривать за детьми и не разрешать им портить холодильник.

Предупреждение органов здравоохранения

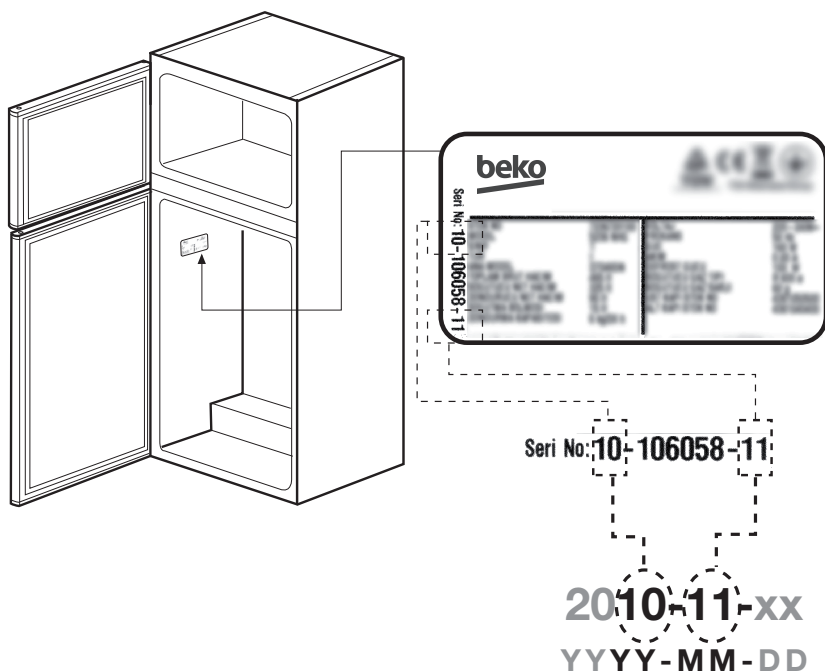
Если система охлаждения вашего изделия содержит R600a:

Этот газ огнеопасен, поэтому будьте осторожны, чтобы не повредить систему охлаждения и трубопроводы при эксплуатации и во время транспортировки. В случае повреждения уберите устройство подальше от потенциальных источников огня, которые могут привести к возгоранию, а также проветривайте помещение, в котором находится устройство.

Не обращайте внимания на предупреждение, если система охлаждения вашего изделия содержит R134a.

Тип газа, используемого изделием, указан на паспортной табличке, расположенной слева на внутренней стенке холодильника.

Не сжигайте изделие в целях утилизации.



Рекомендации по экономии электроэнергии

- Не оставляйте дверцу холодильника открытой на длительное время.
- Не кладите в холодильник горячие продукты или напитки.
- Не перегружайте холодильник, чтобы не нарушать циркуляцию воздуха.
- Не устанавливайте холодильник в местах, где на него попадают прямые солнечные лучи, или поблизости от источников тепла, таких как плита, посудомоечная машина или радиатор отопления.
- Следите за тем, чтобы контейнеры с продуктами были закрыты.
- Для изделий с морозильным

отделением: в морозильное отделение холодильника можно заложить максимальное количество продуктов, если достать из него полку или ящик. Указанное в технических характеристиках энергопотребление холодильника определено при условии, что полка или ящик морозильного отделения извлечены, и в него загружено максимальное возможное количество продуктов. Полку и ящик можно использовать для замораживания продуктов в соответствии с их формой и размером.

- Таяние замороженных продуктов в холодильном отделении обеспечит экономию электроэнергии и сохранение качества продуктов.

Технические характеристики	
Класс энергетической эффективности	A+
Класс защиты	1
Степень защиты	IP 42

3 Установка

Помните, что производитель не несет ответственности в случае несоблюдения указаний, приведенных в данном руководстве.

Подготовка

- i** Холодильник следует устанавливать на расстоянии не меньше 30 см от источников тепла, таких как варочные панели, плиты, батареи центрального отопления и печи, и на расстоянии не меньше 5 см от электрических плит, в местах, куда не попадает прямой солнечный свет.
- i** Температура воздуха в помещении, где устанавливается холодильник, должна быть не менее 10°C. Использовать холодильник при более низкой температуре не рекомендуется в связи с его низкой эффективностью в таких условиях.
- i** Содержите внутреннее пространство холодильника в чистоте.
- i** Если два холодильника устанавливаются рядом, то между ними должно быть расстояние не менее 2 см.
- i** При первом включении холодильника в течение первых шести часов работы обязательно соблюдайте следующие правила.
 - Не открывайте дверцу слишком часто.
 - Не загружайте в холодильник продукты.
 - Не отключайте холодильник от сети. Если произошло отключение электроэнергии не по вашей вине, см. указания в разделе «Рекомендации по устранению неполадок».
- i** Фирменную упаковку и пленку следует сохранить на случай последующей транспортировки прибора.

Правила транспортировки холодильника

1. Перед транспортировкой следует вынуть из холодильника все продукты и вымыть его.
2. Перед упаковкой следует надежно закрепить все полки, оборудование, контейнеры для фруктов и овощей и т.п. при помощи клейкой ленты, чтобы предохранить их от тряски.
3. Холодильник следует обвязать лентами из плотного материала и прочными веревками. При транспортировке следует придерживаться правил напечатанных на упаковке.

Пожалуйста, помните...

Вторичное использование материалов очень важно для сохранения природы и наших национальных богатств.

Если вы решите отправить упаковочные материалы на переработку, обратитесь за подробной информацией в организации по охране окружающей среды или в местные органы власти.

Подготовка к эксплуатации

Перед началом эксплуатации холодильника проверьте следующее:

1. Сухо ли внутри холодильника, и может ли воздух свободно циркулировать позади него?
2. Выполните чистку холодильника в соответствии с рекомендациями, приведенными в разделе «Обслуживание и чистка».
3. Подключите холодильник к электрической сети. При открытии двери холодильника загорается лампочка внутреннего освещения холодильника.

4. При запуске компрессора будет слышен шум. Жидкость и газы, находящиеся внутри герметичной системы охлаждения, также могут создавать шум, независимо от того, работает компрессор или нет, что является вполне нормальным явлением.
5. Передние кромки холодильника могут казаться теплыми на ощупь. Это нормально. Эти области подогреваются, чтобы предупредить конденсацию.

Подключение к электросети

Подсоедините холодильник к заземленной розетке с предохранителем соответствующего номинала.

Важное замечание

Подключение следует выполнять в соответствии с местными нормами и правилами.

Место подключения шнура питания должна быть легкодоступным.

Напряжение и допустимые параметры предохранителей указаны в разделе "Технические характеристики".

Напряжение в сети должно соответствовать данным, указанным в характеристиках холодильника.

Запрещается использовать при установке удлинители и многоместные розетки.

В случае повреждения шнура питания его замену должен быть выполнять квалифицированный электрик.

Запрещается пользоваться неисправным электроприбором! Это может привести к поражению электрическим током.

Утилизация упаковки

Упаковочные материалы могут быть опасны для детей. Храните упаковочные материалы в недоступном для детей месте или утилизируйте его, рассортировав в соответствии с правилами утилизации отходов. Не утилизируйте их вместе с обычными бытовыми отходами.

Упаковка холодильника изготовлена из материалов, подлежащих вторичной переработке.

Утилизация старого холодильника

Утилизация старого изделия должна выполняться экологически безопасным способом.

Сведения об утилизации прибора можно получить у официального дилера или в пункте сбора отходов по месту жительства.

Перед утилизацией холодильника следует отрезать шнур питания и сломать замки на дверцах (при наличии), чтобы предотвратить опасные ситуаций для детей.

i Этот прибор, в котором предусмотрены описанные в таблице температурные режимы, оснащен электронной системой регулирования температуры [Advanced Electronic Temperature Control System, AETCS], благодаря которой при установке рекомендованного режима [положение регулятора термостата 4] в морозильном отделении поддерживается постоянная температура, и замороженные продукты не растают, даже если температура в помещении упадет до -15°C . После достижения устойчивого рабочего режима прибор можно перенести в другое место, например, в гараж или другое неотапливаемое помещение, не опасаясь, что продукты могут растаять. Однако учтите, что при очень низкой температуре в помещении продукты в морозильном отделении могут смерзнуться. Поэтому следует регулярно проверять морозильное отделение и использовать хранящиеся там продукты. Когда температура в помещении снова станет нормальной, можно при необходимости установить регулятор термостата в другое положение.

i Если температура помещения ниже 0°C , продукты в холодильном отделении заморозятся, поэтому не рекомендуем использовать холодильное отделение при таких низких температурах. При этом морозильное отделение холодильника будет работать как обычно.

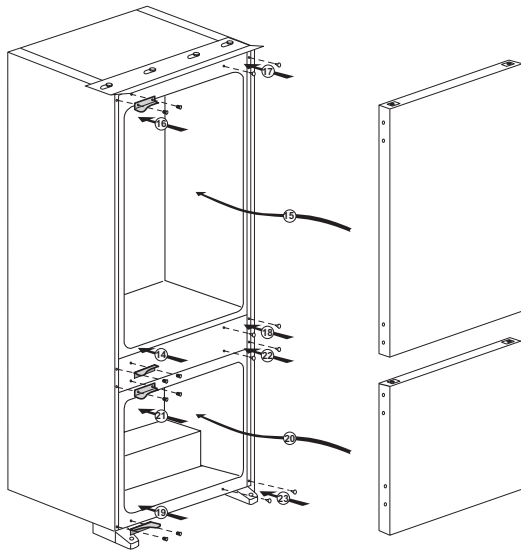
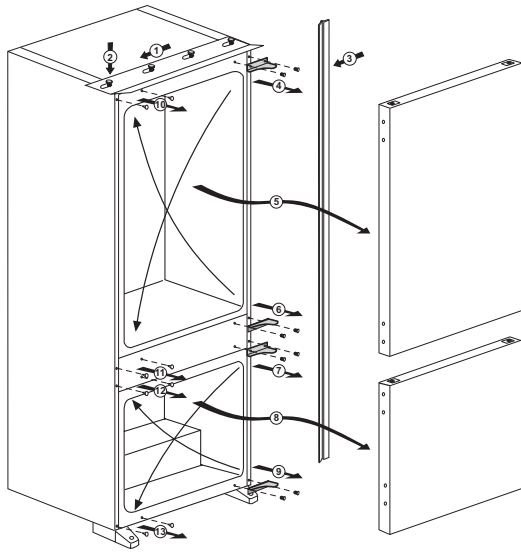
Замена лампочки внутреннего освещения

Для замены лампочки освещения холодильника обратитесь в авторизованный сервисный центр. Лампа (-ы), используемая (-ые) в данном изделии, не подходит (-ят) для бытового освещения помещений. Данная лампа предназначена для освещения при размещении пользователем продуктов питания в холодильной/морозильной камере, обеспечивая безопасность и удобство.

Лампы, используемые в этом приборе, должны выдерживать экстремальные физические условия, например, температуру ниже -20°C .

Перевешивание дверей

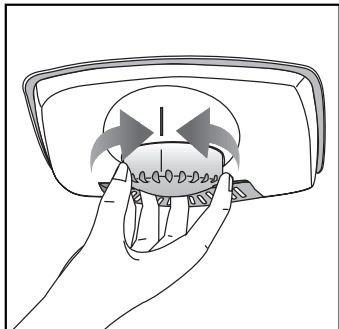
Выполните описанные действия в указанной последовательности.



4 Подготовка

- i** Холодильник следует устанавливать в местах, куда не попадает прямой солнечный свет, на расстоянии не менее 30 см от источников тепла, таких как варочные панели, плиты, батареи центрального отопления и печи, и на расстоянии не менее 5 см от электрических плит.
- i** Температура воздуха в помещении, где устанавливается холодильник, должна быть не менее 10°C. Использовать холодильник при более низкой температуре не рекомендуется в связи с его низкой эффективностью в таких условиях.
- i** Содержите внутреннее пространство холодильника в чистоте.
- i** Если два холодильника устанавливаются рядом, то между ними должно быть расстояние не менее 2 см.
- i** При первом включении холодильника в течение первых шести часов работы обязательно соблюдайте следующие правила.
 - Не открывайте дверцу слишком часто.
 - Не загружайте в холодильник продукты.
 - Не отключайте холодильник от электрической сети. Если произошло отключение электроэнергии не по вашей вине, см. указания в разделе «Рекомендации по устранению неполадок».
- i** Фирменную упаковку и пленку следует сохранить на случай последующей транспортировки прибора.

5 Эксплуатация холодильника



Регулятор температуры

Внутренняя температура в холодильнике изменяется по следующим причинам:

- Сезонные изменения температуры
- Частое открывание дверцы и дверца, оставленная открытой на долгое время
- Помещение продуктов в холодильник без предварительного охлаждения до комнатной температуры
- Неудачное расположение холодильника в помещении (например, в месте прямого попадания солнечного света).
- При изменении внутренней температуры по таким причинам можно отрегулировать температуру с помощью термостата. Цифры вокруг регулятора означают степень охлаждения.
- Если температура окружающей среды превышает 32°C, установите ручку термостата в положение максимального охлаждения.
- Если температура окружающей среды ниже 25°C, установите ручку термостата в положение минимального охлаждения.
- Чтобы в максимальной степени использовать пространство морозильной камеры для хранения продуктов, выньте из морозильного отделения верхнюю крышку. Данные об энергопотреблении холодильника приведены для условий, когда верхняя крышка вынута, и морозильная камера полностью загружена.

Размораживание

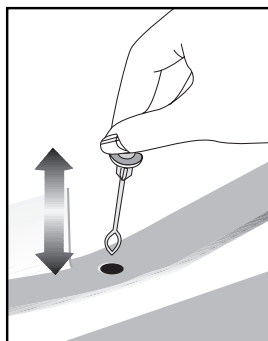
Холодильное отделение

Холодильная камера размораживается автоматически. Во время работы холодильника стекающие капли воды могут образовать на задней стенке холодильной камеры слой наледи толщиной до 7-8 мм. Такая наледь является обычным явлением, которое связано с особенностями работы системы охлаждения. Эта наледь периодически удаляется с помощью системы автоматического размораживания, которая находится на задней стенке холодильника. Пользователю не нужно самому счищать лед или вытирать капли воды.

Талая вода, которая образуется при размораживании, стекает по желобу в сливную трубку, попадает на испаритель и там испаряется.

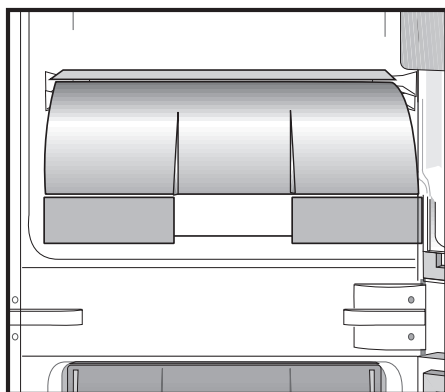
Регулярно проверяйте, не засорилась ли сливная трубка, и при необходимости прочищайте ее палочкой через сливное отверстие.

Морозильная камера размораживается автоматически.



Камера нулевой температуры

Эта камера предназначена для медленного оттаивания замороженных продуктов (мяса, рыбы, птицы и т.д.) в случае необходимости. Камера нулевой температуры – это самое холодное место в холодильнике с идеальными условиями для хранения молочных продуктов (сыр, масло), мяса, рыбы или птицы; в нее нельзя помещать овощи и фрукты.



6 Обслуживание и чистка

- ⚠ Ни в коем случае не используйте бензин, бензол или подобные вещества для чистки.
- ⚠ Перед чисткой рекомендуем отсоединить изделие от электросети.
- ⓘ Не используйте для чистки острые абразивные инструменты, мыло, бытовые чистящие средства, моющие средства и восковую политуру.
- ⓘ Корпус изделия промойте теплой водой и затем вытрите насухо.
- ⓘ Протрите внутреннюю поверхность изделия хорошо отжатой тканью, смоченной в растворе питьевой соды (1 чайная ложка на пол-литра воды), и вытрите насухо.
- ⚠ Не допускайте попадания воды в корпус лампочки и в другие электрические компоненты.
- ⚠ Если холодильник не будет использоваться в течение длительного времени, отключите сетевой шнур, извлеките все продукты, выполните чистку и оставьте дверцу приоткрытой.
- ⓘ Регулярно проверяйте, не испачкан ли уплотнитель дверцы частицами пищи.
- ⓘ Для снятия полок в дверце полностью разгрузите их, а затем просто приподнимите вверх.

Защита пластмассовых поверхностей

- Не храните жидкое масло или продукты, приготовленные с добавлением масла, в морозильной камере в открытых контейнерах, так как они могут повредить пластмассовые поверхности. Если же масло протекло или попало на пластмассовую поверхность, сразу же очистите и промойте это место теплой водой.

7 Рекомендации по устранению неисправностей

Прежде чем обращаться в сервисный центр, просмотрите этот перечень. Это может помочь сэкономить время и деньги. Ниже перечислены часто возникающие проблемы, причиной которых не являются дефекты производства или материалов. Некоторые из описанных здесь функций могут отсутствовать в вашей модели.

Холодильник не работает.
<ul style="list-style-type: none">• Правильно ли включен холодильник в сеть? Вставьте вилку в розетку электросети.• Не перегорел ли предохранитель розетки, в которую включен холодильник, или главный предохранитель? Проверьте предохранитель.
Конденсация на боковой стенке отделения холодильника (MULTI ZONE, COOL CONTROL и FLEXI ZONE).
<ul style="list-style-type: none">• Очень низкая температура окружающей среды. Частое открывание и закрывание дверцы. Изделие работает в условиях повышенной влажности. Хранение продуктов, содержащих жидкость, в открытых контейнерах. Неплотно закрыта дверца.• Переключите термостат на более низкую температуру.• Сократите периоды, когда дверца остается открытой, или открывайте ее реже.• Накройте продукты, хранящиеся в открытых контейнерах, подходящим материалом.• Вытрите конденсат сухой тканью и проверьте, не образуется ли он снова.
Не работает компрессор
<ul style="list-style-type: none">• Термозащита компрессора может сработать при неожиданных отключениях энергоснабжения либо при выключении-включении прибора, поскольку давление хладагента в системе охлаждения не успевает стабилизироваться.• Холодильник начнет работать примерно через 6 минут. Если по истечении этого времени холодильник не заработал, обратитесь в сервисный центр.• Холодильник находится в режиме размораживания. Это нормально для холодильника с автоматическим размораживанием. Размораживание выполняется регулярно.• Холодильник не включен в розетку электросети. Убедитесь, что вилка плотно вставлена в розетку электросети.• Правильно ли отрегулирована температура? Нарушение подачи электроэнергии. Обратитесь к поставщику электроэнергии.

<p>Холодильник включается слишком часто или работает слишком долго.</p>
<ul style="list-style-type: none"> • Новый холодильник может быть больше того, которым вы пользовались раньше. Это вполне нормально – большие холодильники работают в течение более длительных периодов времени. • Возможно, температура в помещении повышена. Это вполне нормально. • Возможно, холодильник был недавно включен или только что загружен продуктами. Полное охлаждение холодильника может продолжаться на несколько часов дольше. • Возможно, в холодильник недавно поместили большое количество горячих продуктов. Из-за наличия горячих продуктов холодильник будет работать дольше, чтобы достичь нужной температуры хранения. • Возможно, дверцы часто открываются либо оставались приоткрытыми в течение длительного времени. При попадании в холодильник теплого воздуха, он будет работать дольше. Открывайте дверцы реже. • Неплотно закрыта дверца морозильного или холодильного отделения. Проверьте, плотно ли закрыты дверцы. • Холодильник отрегулирован на очень низкую температуру. Установите в холодильнике более высокую температуру и подождите, пока установленная температура не будет достигнута. • Возможно, уплотнитель дверцы холодильного или морозильного отделения загрязнен, изношен, разорван или неправильно установлен. Почистите или замените уплотнитель. Из-за поврежденного или разорванного уплотнителя холодильник будет работать дольше, чтобы поддерживать текущую температуру.
<p>Температура в морозильном отделении слишком низкая, в то время как температура в холодильном отделении достаточная.</p>
<ul style="list-style-type: none"> • Температура морозильного отделения установлена на очень низкое значение. Установите в морозильном отделении более высокую температуру и проверьте работу.
<p>Температура холодильного отделения очень низкая, в то время как температура в морозильном отделении достаточная.</p>
<ul style="list-style-type: none"> • Температура в холодильном отделении установлена на очень низкое значение. Установите в холодильном отделении более высокую температуру и проверьте работу.
<p>Замерзают продукты в выдвижных контейнерах холодильного отделения.</p>
<ul style="list-style-type: none"> • Температура в холодильном отделении установлена на очень низкое значение. Установите в холодильном отделении более высокую температуру и проверьте работу.
<p>Температура в холодильном и морозильном отделении слишком высокая.</p>
<ul style="list-style-type: none"> • Температура в холодильном отделении установлена на очень высокое значение. Температура в холодильном отделении влияет на температуру в морозильном отделении. Изменяйте температуру в холодильном или морозильном отделении, пока не будет достигнут нужный уровень температуры. • Возможно, неплотно закрыта дверца. Полностью закройте дверцу. • Возможно, в холодильник недавно поместили большое количество горячих продуктов. Подождите, пока холодильное или морозильное отделение достигнет нужной температуры. • Возможно, холодильник был недавно включен в сеть. Для полного охлаждения потребуется некоторое время из-за большого размера холодильника.

Из холодильника доносится шум, похожий на тиканье механических часов.
<ul style="list-style-type: none"> Этот шум вызван работой электромагнитного клапана холодильника. Он обеспечивает прохождение хладагента, который выполняет охлаждение, через отделения холодильника, в которых установлена температура охлаждения или замораживания. Это вполне нормально и не является неисправностью.
Уровень рабочего шума повышается во время работы холодильника.
<ul style="list-style-type: none"> Рабочие характеристики изделия могут изменяться в зависимости от изменений температуры окружающей среды. Это нормально и не является неисправностью.
Вибрация или шум.
<ul style="list-style-type: none"> Пол неровный или нежесткий. Холодильник медленно перемещается и при этом дрожит. Убедитесь в том, что пол ровный и достаточно прочный, чтобы выдержать вес изделия. Шум могут вызывать предметы, которые находятся на холодильнике. Такие предметы следует убрать с холодильника.
Слышен шум льющейся или разбрызгивающейся жидкости.
<ul style="list-style-type: none"> Расход жидкости и газа изменяется в соответствии с принципами работы изделия. Это нормально и не является неисправностью.
Слышен шум, похожий на шум ветра.
<ul style="list-style-type: none"> Для обеспечения эффективного охлаждения в холодильнике используются устройства подачи воздуха (вентиляторы). Это нормально и не является неисправностью.
Конденсация влаги на внутренних стенках холодильника.
<ul style="list-style-type: none"> Жаркая и влажная погода способствует образованию льда и конденсации влаги. Это нормально и не является неисправностью. Дверцы приоткрыты. Убедитесь, что дверцы полностью закрыты. Возможно, дверцы открывались очень часто, или дверца оставалась открытой длительное время. Открывайте дверцу реже.
Появление влаги снаружи холодильника или между дверцами.
<ul style="list-style-type: none"> Возможно, причина во влажной погоде. Это вполне нормально при влажной погоде. Когда влажность уменьшится, конденсация исчезнет.
Неприятный запах внутри холодильника.
<ul style="list-style-type: none"> Следует выполнить чистку внутри холодильника. Протрите холодильник внутри губкой, смоченной в теплой воде или в газированной воде. Некоторые контейнеры или упаковочные материалы также могут быть источником запаха. Используйте другой контейнер или упаковочный материал другой марки.
Дверца (дверцы) не закрывается (не закрываются).
<ul style="list-style-type: none"> Упаковки продуктов могут препятствовать закрыванию дверцы. Переместите упакованные продукты, препятствующие закрытию дверцы. Возможно, холодильник стоит не совсем вертикально, это может вызвать дрожание при любом перемещении. Отрегулируйте регулировочные винты. Пол неровный или нежесткий. Убедитесь в том, что пол ровный и может выдержать вес холодильника.
Контейнеры для фруктов и овощей прилипли.
<ul style="list-style-type: none"> Возможно, продукты касаются верхней части контейнера. Переместите продукты в контейнере.

Изготовитель: “Arctic S.A.”

Юридический адрес: 135200, ул.13 Дечембрие, 210, Гаести, Румыния.

Произведено в Румынии

Импортер на территории РФ: ООО “БЕКО” Юридический адрес: 601021 Россия, Владимирская обл., Киржачский р-н, МОСП Першинское, дер. Федоровское, ул. Сельская, д. 49

Информацию о сертификации продукта Вы можете уточнить, позвонив на Горячую линию 8-800-200-23-56

Дата производства включена в серийный номер продукта, указанный на этикетке, расположенной на продукте, а именно: первые две цифры серийного номера обозначают год производства, а последние две – месяц. Например, “10-100001-05” обозначает, что продукт произведен в мае 2010 года
Изготовитель оставляет за собой право на внесение изменений в конструкцию, дизайн и комплектацию электроприбора.



Pirmiausia įdėmiai perskaitykite šį vadovą!

Gerbiamas pirkėjas,

Mes tikimės, kad mūsų gaminy, kuris buvo sukurtas moderniose gamyklose ir kruopščiai patikrintas pagal griežtus kokybės kontrolės reikalavimus, veiksmingai ir ilgai jums tarnaus.

Todėl mes rekomenduojame jums prieš naudojimą atidžiai perskaityti visą šio gaminio vartotojo vadovą ir išsaugoti jį, kad galėtumėte pasinaudoti juo ateityje.




Šis vadovas

- Padės jums greitai ir saugiai naudoti šį buitinį prietaisą.
- Prieš sumontuodami ir pradėdami naudoti šį gaminį, perskaitykite šį vadovą.
- Vadovaukitės nurodymais, ypač nurodymais dėl saugos.
- Laikykite šį vadovą lengvai pasiekiamoje vietoje, nes juo dar gali tekti pasinaudoti.
- Taip pat perskaitykite ir kitus su šiuo gaminiu pateiktus dokumentus.

Atkreipkite dėmesį, kad šis vadovas gali galioti ir kitiems modeliams.

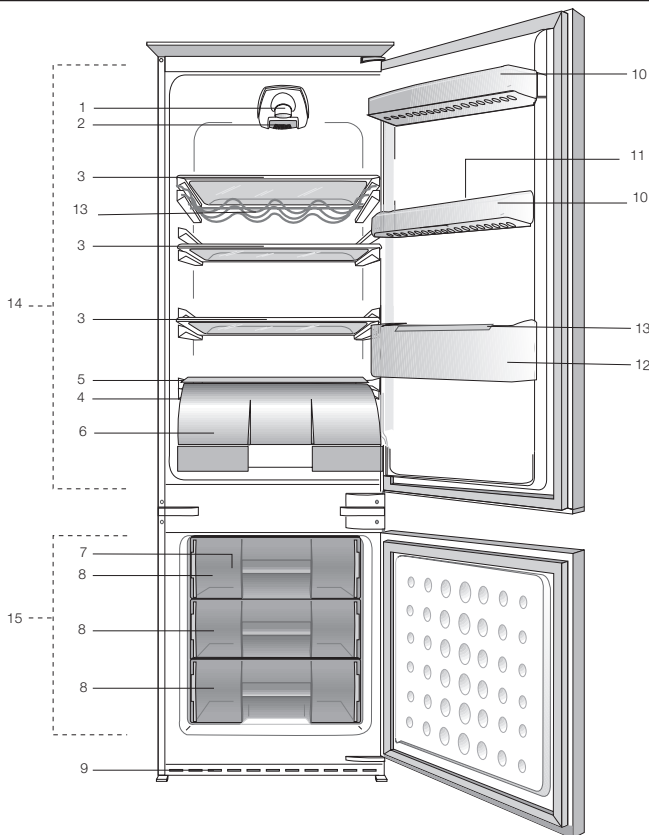
Ženkli ir jų aprašymas

Šioje naudojimo instrukcijoje panaudoti tokie ženklai:

-  Svarbi informacija arba naudingi patarimai dėl naudojimo.
-  Įspėjimas dėl sveikatai pavojingų arba žalos turtui galinčių padaryti sąlygų.
-  Įspėjimas dėl elektros įtampos.

1 Šaldytuvas	3	3 Įrengimas	8
2 Svarbūs įspėjimai dėl saugos	4	Į ką reikia atsižvelgti vežant šį šaldytuvą.....	8
Naudojimo paskirtis	4	Prieš pradėdant naudoti šaldytuvą.....	8
Bendrieji saugos reikalavimai	4	Elektros prijungimas.....	8
Gaminiam su vandens dalytuvu;.....	6	Pakuotės išmetimas	9
Vaikų sauga	6	Seno šaldytuvo išmetimas	9
WEEE Direktyvos ir senų gaminių išmetimo taisyklių atitiktis:	6	Pastatymas ir instaliacija	9
RoHS direktyvos atitiktis:	6	lekšėjā apgaismojuma spuldzes nomaiņa	10
Informacija apie pakuotę.....	6	4 Paruošimas	13
HCA įspėjimas	6	5 Šaldytuvo naudojimas	14
Jeigu gaminyje įrengta aušinimo sistema, kurioje naudojama R600a: ..	6	Temperatūros nustatymo rankenėlė. .	14
Nepaisykite šio įspėjimo, jeigu gaminyje įrengta aušinimo sistema, kurioje naudojama R134a.	7	Atšildykite	14
Ką reikia daryti, norint sutaupyti energijos.....	7	Nulles grādu temperatūras nodalijums	15
		6 Techninė priežiūra ir valymas	16
		Plastikinių paviršių apsauga	16
		7 Rekomenduojami problemų sprendimo būdai	17

1 Šaldytuvas



- | | |
|---|-------------------------------|
| 1. Temperatūros nustatymo rankenėlė | 9. Oro grotelės |
| 2. Vidaus apšvietimas | 10. Pritaikomos durų lentynos |
| 3. Reguliuojamos lentynos | 11. Kiaušinių dėklas |
| 4. Atšildyto vandens surinkimo kanalas –
drenažo vamzdelis | 12. Butelių lentyna |
| 5. Stalčiaus daržovėms dangtis | 13. Butelio laikiklis |
| 6. 0 °C temperatūros skyrius | 14. Šaldytuvo skyrius |
| 7. Ledo atsargos | 15. Šaldiklio skyrius |
| 8. Šaldiklio skyrius | |

i Šiame eksploatavimo vadove pateikti paveikslėliai yra orientacinio pobūdžio; gali būti, kad jie tiksliai nevaizduoja jūsų turimo gamtinio. Jei jūsų turimame gaminyje nėra aprašomų dalių, tai reiškia, jog tai taikoma kitiems modeliams.

2 Svarbūs įspėjimai dėl saugos

Prašome atidžiai perskaityti toliau pateiktą informaciją. Nepaisant šios informacijos, galima susižaloti arba padaryti žalos turtui. Tuomet nebegalios jokia garantija ir gamintojo įsipareigojimai. Jūsų įsigytas prietaisas numatytas naudoti 10 metų. Šiuo laikotarpiu gamintojas įsipareigoja tiekti visas šiam prietaisui reikalingas atsargines dalis, kad prietaisas veiktų taip, kaip aprašyta šioje instrukcijoje.

Naudojimo paskirtis

Šis gaminys skirtas naudoti

- patalpose ir uždaroje vietoje, pavyzdžiui, namuose;
 - uždaroje darbo aplinkoje, pavyzdžiui, parduotuvėse ir biuruose;
 - uždaroje apgyvendinimo vietoje, pavyzdžiui, ūkininkų gyvenamuosiuose namuose, viešbučiuose, pensionuose.
- Šio gaminio negalima naudoti lauke.

Bendrieji saugos reikalavimai

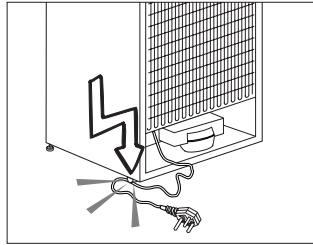
- Kai šį gaminį norėsite išmesti arba atiduoti į metalo laužą, rekomenduojama pasikonsultuoti su įgaliotomis tarnybomis ir institucijomis, kad sužinotumėte reikiamą informaciją.
- Jei kyla klausimų apie šaldytuvą arba atsiranda problemų, pasikonsultuokite su įgaliotais aptarnavimo specialistais. Šaldytuvo neardykite ir niekam neleiskite to daryti; tai galima daryti tik apie tai pranešus įgaliotiems aptarnavimo specialistams.
- Gaminiams su šaldiklio kamera; Ledų ir ledo kubelių nevalgykite vos juos išėmę į šaldiklio kamerą! (Galite nušalti burną.)

- Gaminiams su šaldiklio kamera; Į šaldiklio kamerą nedėkite butelių ir skardinių su gėrimais. jie gali sprogti.
- Užšaldytų maisto produktų nelieskite rankomis – jie gali prilipti prie rankų.
- Prieš valydami arba atšildydami šaldytuvą, atjunkite jį nuo elektros tinklo.
- Šaldytuvui valyti ir šerkšnui šalinti negalima naudoti garų ir garinių valomųjų medžiagų. Garai gali pasiekti elektrines dalis ir sukelti trumpą jungimą arba elektros smūgį.
- Šaldytuvo dalių, pavyzdžiui, nuo spyrio apsaugančios plokštės arba durelių, nenaudokite kaip atramos ar laiptelio.
- Šaldytuvo viduje nenaudokite elektros prietaisų.
- Žiūrėkite, kad gręžimo ar pjovimo įrankiais nepažeistumėte dalių, kuriose cirkuliuoja aušinamasis skystis. Iš pradurtų garintuvo dujų kanalų, vamzdžių ilgintuvų arba paviršiaus dangų ištryškęs aušinamasis skystis gali suerzinti odą ir pažeisti akis.
- Jokiomis medžiagomis neuždenkite ir neužkimškite šaldytuvo ventiliacinių angų.
- Elektrinius prietaisus privalo taisyti tik įgaliotieji asmenys. Jei remontą vykdydys nekompetentingi asmenys, naudotojui gali kilti pavojus.
- Įvykus trikdžiai, taip pat techninės priežiūros arba remonto metu šaldytuvui atjunkite elektros maitinimą – arba išsukite atitinkamą saugiklį, arba ištraukite prietaiso laido kištuką.
- Netraukite laikydami už laido – traukite laikydami už kištuko.
- Stiprius alkoholinius gėrimus stipriai užkimškite ir laikykite vertikaliaje padėtyje.
- Šaldytuve niekada nelaikykite flakonų su degiomis ir sprogiomis medžiagomis.

- Norėdami paspartinti atitirpinimo procesą, nenaudokite jokių mechaninių prietaisų ar kitų priemonių, išskyrus gamintojo rekomenduojamas.
- Šis buitinis prietaisas nėra skirtas naudoti asmenims (įskaitant vaikus) su fiziniais, jutimo ar protiniais sutrikimais arba asmenims, kurie turi nepakankamai patirties ir žinių naudoti šį prietaisą, nebent juos tinkamai prižiūrėtų (arba nurodytų, kaip naudoti šį buitinį prietaisą) už jų saugą atsakingas asmuo.
- Nenaudokite sugedusio šaldytuvo. Jeigu dėl ko nors nerimaujate, pasikonsultuokite su techninio aptarnavimo specialistais.
- Šaldytuvo elektros sauga garantuojama tik tuo atveju, jei jūsų name įrengta žemėjimo sistema atitinka standartus.
- Gaminį statyti vietoje, neapsaugotoje nuo lietaus, sniego, saulės ir vėjo, pavojinga elektros saugos požiūriu.
- Jeigu maitinimo kabelis būtų pažeistas, susisiekiate su įgaliotuoju techninio aptarnavimo centru, kad išvengtumėte pavojaus.
- Įrengimo metu draudžiama šaldytuvo maitinimo laidą kišti į sieninį lizdą – galite žūti arba patirti rimtą traumą.
- Šis šaldytuvus skirtas tik maisto produktams laikyti. Prietaiso negalima naudoti kitai paskirčiai.
- Etiketė, kurioje nurodomi techniniai gaminio duomenys, pritvirtinta vidinėje kairėje šaldytuvo pusėje.
- Niekada neįjunkite šio šaldytuvo į elektros energijos taupymo sistemas; jos gali sugadinti šaldytuvą.
- Jeigu šaldytuve įrengta mėlyna kontrolinė lemputė, nežūrėkite į mėlyną šviesą pro optinius prietaisus.
- Jeigu naudojate rankiniu būdu valdomą šaldytuvą, nutrūkus elektros tiekimui,

prieš vėl jį įjungdami, palaukite bent 5 minutes.

- Atidavus šį gaminį kitiems, naujam gaminio savininkui reikia atiduoti ir šią naudojimo instrukciją.
- Gabendami šaldytuvą, stenkitės nepažeisti maitinimo kabelio. Sulenktas kabelis gali sukelti gaisrą. Ant maitinimo kabelio niekada nestatykite sunkių daiktų. Jungdami gaminį į maitinimo tinklą, nelieskite kištuko drėgnomis rankomis.



- Neįjunkite šaldytuvo, jeigu sieninis lizdas yra atsilaisvinęs.
- Saugumo sumetimais nepukškite vandens tiesiai ant vidinių arba išorinių šio gaminio dalių.
- Nepurškite šalia šaldytuvo degių medžiagų, pavyzdžiui, propano dujų ir pan., nes kyla gaisro ir sprogdimo pavojus.
- Nestatykite ant šaldytuvo indų su vandeniu, nes gali kilti elektros smūgis arba gaisras.
- Neprikraukite į šaldytuvą per daug maisto produktų. Pridėjus per daug maisto produktų, atidarant arba uždarant šaldytuvo duris, jie gali iškristi ir sužeisti. Niekada nestatykite ant šaldytuvo daiktų, nes atidarius arba uždarius šaldytuvo dureles, jie gali nukristi.
- Šaldytuve negalima laikyti medžiagų, kurioms saugoti reikia tikslios temperatūros, pavyzdžiui, vakcinų, temperatūrai jautrių vaistų, mokslinių tyrimų medžiagų ir pan.

- Jeigu šaldytuvo ilgai nenaudojate, būtina atjunkite jį nuo maitinimo tinklo. Dėl galimo maitinimo kabelio pažeidimo gali kilti gaisras.
- Elektros kištuką reikia reguliariai nuvalyti, kitaip jis gali sukelti gaisrą.
- Elektros kištuką reikia reguliariai valyti sausų skudurėliu, kitaip gali kilti gaisras.
- Jeigu reguliuojamos kojelės netvirtai remsis į grindis, šaldytuvas gali judėti. Pareguliuokite reguliuojamas kojeles, kad jos tinkamai remtųsi į grindis ir šaldytuvas nejudėtų.
- Nešdami šaldytuvą, nelaikykite jo už durų rankenos. Kitaip ji gali nulūžti.
- Jeigu šį gaminį reikia statyti prie kito šaldytuvo arba šaldiklio, tarp prietaisų būtina palikti bent 8 cm tarpą. Kitaip gretimos šoninės sienelės gali pradėti rasoti.

Gaminiams su vandens dalytuvu;

Slėgis vandentiekio vamzdyje turi būti ne mažesnis nei 1 baras. Slėgis vandentiekio vamzdyje turi būti ne didesnis nei 8 barai.

- Naudokite tik geriamąjį vandenį.

Vaikų sauga

- Jeigu durelės rakinamos spyna, laikykite raktą vaikams nepasiekiamoje vietoje.
- Privaloma prižiūrėti mažus vaikus, kad jie nežaistų su šiuo buitiniu prietaisu.

RoHS direktyvos atitiktis:

Jūsų įsigytas gaminys atitinka ES RoHS Direktyvą (2011/65/ES). Jame nėra šioje Direktyvoje nurodytų kenksmingų ir draudžiamų medžiagų.

Informacija apie pakuotę

Šio gaminio pakavimo medžiagos pagamintos iš pakartotinai panaudojamų medžiagų, atsižvelgiant į mūsų nacionalinius aplinkosaugos reglamentus. Neišmeskite pakavimo medžiagų kartu su kitomis buitinėmis atliekomis arba kitomis šiukšlėmis. Išmeskite pakavimo medžiagas į tam skirtą vietos atliekų surinkimo punktą.

HCA įspėjimas

Jeigu gaminyje įrengta aušinimo sistema, kurioje naudojama R600a:

Šios dujos lengvai užsiliepsnoja. Todėl būkite atsargūs, kad eksploataavimo ir transportavimo metu nepažeistumėte aušinimo sistemos ir vamzdžių. Pažeidimo atveju, saugokite gaminį nuo galimų liepsnos šaltinių, nuo kurių gaminys galėtų užsidegti, ir vėdinkite patalpą, kurioje stovi šis prietaisas.

Nepaisykite šio įspėjimo, jeigu gaminyje įrengta aušinimo sistema, kurioje naudojama R134a.

Gaminyje naudojamų dujų rūšis nurodyta techninių gaminio duomenų etiketėje, kuri yra pritvirtinta vidinėje kairėje šaldytuvo pusėje.

Niekuomet nedeginkite šio buitinio prietaiso.

Ką reikia daryti, norint sutaupyti energijos

- Nelaikykite šaldytuvo durelių atidarytų ilgą laiką.
 - Į šaldytuvą nedėkite karšto maisto arba gėrimų.
 - Į šaldytuvą nedėkite pernelyg daug maisto produktų, kad nebūtų kliudoma viduje cirkuliuoti orui.
 - Šaldytuvo nestatykite vietoje, kur šviečia tiesioginiai saulės spinduliai arba arti šilumą skleidžiančių prietaisų, pavyzdžiui, orkaitių, indaplovių arba radiatorių.
 - Maisto produktus laikykite uždaruose induose.
- Gaminiuose su šaldymo kamera; išėmę šaldiklio lentyną arba stalčių, šaldiklio kameroje galite laikyti maksimalų produktų kiekį. Paskelbtosios šaldytuvo energijos sąnaudos nustatytos išėmus šaldiklio kameros lentyną arba ištraukus stalčių ir sudėjus maksimalų leistiną produktų kiekį. Ant lentynos arba stalčiuje galima saugiai laikyti užšaldyti skirtus produktus, atsižvelgiant į jų formą ir dydį.
 - Atšildant šaldytus maisto produktus šaldytuvo skyriuje, bus ir taupoma energija, ir išsaugoma maisto kokybė.

3 Įrengimas

⚠ Prašom atkreipti dėmesį, kad gamintojas neprisiima atsakomybės, jei bus nepaisoma šiame eksploataavimo vadove pateiktos informacijos.

Į ką reikia atsižvelgti vežant šį šaldytuvą

1. Prieš šaldytuvą transportuojant, jį reikia ištuštinti ir išvalyti.
2. Prieš šaldytuvą supakuojant, jame esančias lentynas, papildomas dalis, daržovių dėtuves ir kt. būtina sutvirtinti lipnia juosta, kad šios dalys nesikratytų.
3. Pakuotės medžiagas būtina sutvirtinti storomis juostomis ir tvirtomis virvėmis; būtina paisyti ant pakuotės pateiktų transportavimo instrukcijų.

Atminkite...

Visų medžiagų perdirbimas turi didelės įtakos tausojant gamtos ir mūsų šalies išteklius.

Jei pakavimo medžiagas norite atiduoti perdirbti, kreipkitės į aplinkosaugos institucijas arba vietos valdžios įstaigas, kur jums bus suteikta daugiau informacijos.

Prieš pradėdami naudoti šaldytuvą

Prieš pradėdami naudoti buitinį prietaisą, patikrinkite, ar:

1. Šaldytuvo vidus yra sausas, o galinėje dalyje oras laisvai cirkuliuoja?
2. Galite sumontuoti 2 plastikinius pleištus, kaip parodyta paveikslėlyje. Platsmasiniai pleištai užtikrins, kad šaldytuvus būtų pastatytas tinkamu atstumu nuo sienos, ir už jo galėtų laisvai cirkuliuoti oras. (Pateiktas paveikslėlis tėra pavyzdys, kuris nebūtinai tiksliai atitinka jūsų įsigyta gaminį.)

3. Vidų valykite vadovaudamiesi nurodymais, pateiktais skyriuje „Techninė priežiūra ir valymas“.
4. Pradėjus veikti kompresoriui, išgirsite nestiprius garsus. Ar kompresorius veikia, ar ne, šaldytuvo sistemoje hermetiškai uždarytas skystis ir dujos taip pat gali kelti silpnus garsus – tai visiškai normalu.
5. Priekiniai šaldytuvo kraštai gali įšilti. Tai normalu. Šios vietos turi būti šiltos tam, kad nesusidarytų kondensacija.

Elektros prijungimas

Prijunkite gaminį prie įžeminto lizdo su tinkamos kategorijos saugikliu.

Svarbu

- Elektros prijungimą būtina atlikti atsižvelgiant į savo šalies reglamentus.
- Atlikus elektros instaliaciją, maitinimo laido kištukas turi būti lengvai pasiekiamas.
- Nurodytas įtampos stiprumas turi būti toks pat, kaip ir maitinimo tinklo įtampos stiprumas.
- Prijungimui negalima naudoti ilginimo laidų ir daugiaskylių kištukų.

⚠ Pažeistą maitinimo laidą privalo pakeisti kvalifikuotas elektrikas.

⚠ Negalima naudoti buitinio prietaiso, kol nebus pataisytas jo laidas! Kyla elektros smūgio pavojus!

Pakuotės išmetimas

Pakavimo medžiagos gali kelti pavojų vaikams. Laikykite pakavimo medžiagas vaikams nepasiekiamoje vietoje arba išmeskite jas, išrūšiuodami pagal atliekų rūšiavimo nurodymus. Neišmeskite pakavimo medžiagų kartu su kitomis buitinėmis atliekomis.

Šaldytuvo pakavimo medžiagos yra pagamintos iš pakartotinai panaudojamų medžiagų.


Seno šaldytuvo išmetimas

Seną šaldytuvą išmeskite taip, kad nebūtų daroma žala aplinkai.

- Kaip išmesti šį šaldytuvą, galite sužinoti iš savo įgaliotojo pardavimo atstovo arba savo savivaldybės atliekų surinkimo punkte.

Prieš išmesdami šaldytuvą, nupjaukite elektros kištuką ir, jei durys turi kokių nors užraktų, sugadinkite juos, kad nekiltų pavojų vaikams.

Pastatymas ir instaliacija

 Jei patalpos, kurioje bus įrengiamas šaldytuvus, įėjimas nėra pakankamai platus, kad pro jį būtų galima įnešti šaldytuvą, iškvieskite įgaliotus aptarnavimo darbuotojus, kad jie nuimtų šaldytuvo dureles ir jį pro įėjimą įneštų šonu.

1. Šaldytuvą įrenkite tokioje vietoje, kur jį būtų lengva eksploatuoti.
2. Šaldytuvą statykite atokiai nuo šilumos šaltinių, drėgnų vietų ir tiesioginių saulės spindulių.

3. Tam, kad šaldytuvus efektyviai veiktų, aplink jį turi būti tinkama oro ventilacija. Jei šaldytuvą reikia statyti sienos nišoje, nuo šaldytuvo iki lubų ir iki sienų turi būti mažiausiai 5 cm tarpas. Jei ant grindų patiestas kilimas, šį gaminį virš grindų būtina pakelti 2,5 cm.
4. Tam, kad nekiltų vibracija, šaldytuvą statykite ant lygaus grindų paviršiaus.

lekšējā apgaismojuma spuldzes nomainīšana

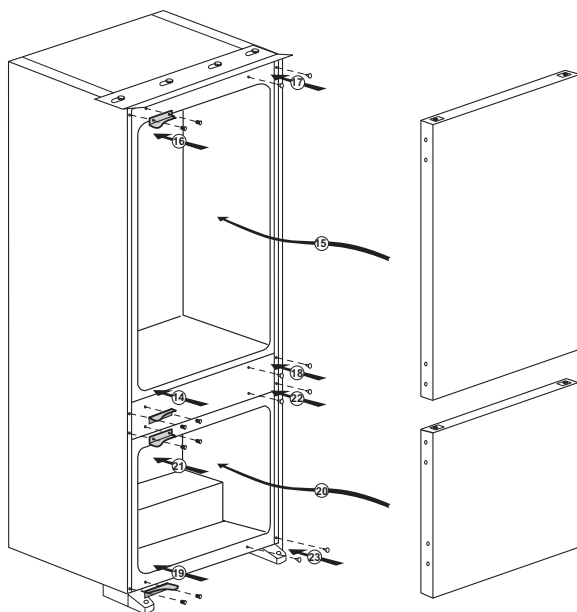
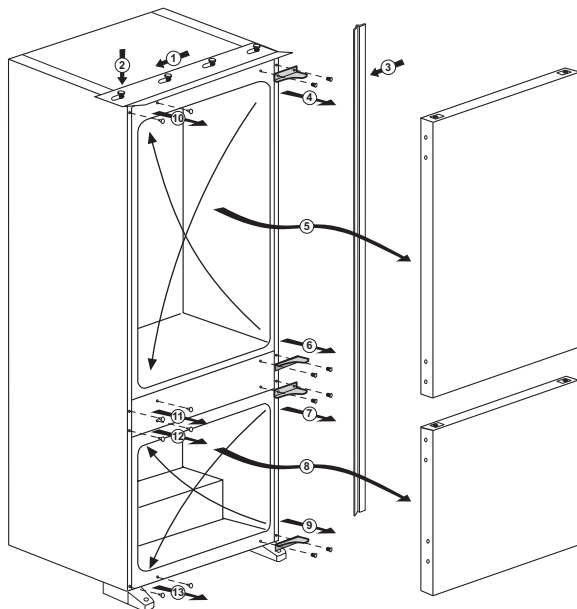
Jei reikia pakeisti šaldytuvo apšvietimo lempu, susisiekiite su artimiausia įgaliotaja techninio aptarnavimo tarnyba.

Šajā ierīcē izmantotā lampa nav piemērota istabu apgaismojumam. Šīs lampas mērķis ir padarīt pārtikas produktu ievietošanu

ledusskapī/saldētavā drošu un ērtu.

Šajā ierīcē izmantotajām lampām ir jāspēj funkcionēt ekstrēmos fiziskos apstākļos, piemēram, temperatūrā, kas nepārsniedz -20°C.

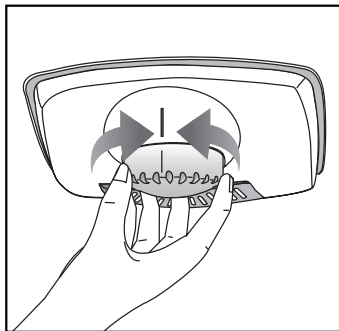
Durų perstatymas
Veiksmus atlikite paeiliui pagal numerį



4 Paruošimas

- Šaldytuvą reikia įrengti mažiausiai 30 cm atstumu nuo šilumos šaltinių, pavyzdžiui, viryklės viršaus, orkaitių, centrinio šildymo radiatorių bei viryklių, ir mažiausiai 5 cm atstumu nuo elektrinių orkaitių; nestatykite jo tiesioginiuose saulės spinduliuose.
- Patalpos, kur įrengiamas šaldytuvas, aplinkos temperatūra turi būti ne žemesnė negu 10°C. Šaldytuvo nerekomenduojama eksploatuoti esant žemesnei temperatūrai, nes jo veikimo efektyvumas taps prastesnis.
- Rūpinkitės šaldytuvo vidaus švara.
- Jei du šaldytuvai įrengiami vienas šalia kito, tarp jų turi būti mažiausiai 2 cm atstumas.
- Šaldytuvą pradėję eksploatuoti pirmą kartą, pirmąsias šešias valandas prašom paisyti tokių instrukcijų:
- Nedarinėkite dažnai durelių.
- Šiuo periodu šaldytuve turi nebūti maisto produktų.
- Neišjunkite šaldytuvo iš maitinimo tinklo. Jei nutrūktų elektros tiekimas, žr. skyriuje „Kokių veiksmų imtis prieš iškviečiant įgaliotus aptarnavimo specialistus“ pateiktus įspėjimus.
- Originalias pakuotės medžiagas ir pustpalstį derėtų saugoti ateičiai, jei šaldytuvą prireiktų transportuoti arba perkelti.

5 Šaldytuvo naudojimas



Temperatūros nustatymo rankenėlė

Šaldytuvo vidaus temperatūra pasikeičia dėl šių priežasčių:

- sezoninės temperatūros;
- ilgam laikui tarpui palikus atidarytas šaldytuvo duris;
- dedant maistą į šaldytuvą prieš tai neatvėsinus jo iki kambario temperatūros;
- dėl šaldytuvo vietos patalpoje (pvz., pastačius jį ten, kur jį veikia tiesioginiai saulės spinduliai).
- Galite pareguliuoti dėl tokių priežasčių pakeistą vidaus temperatūros parinkimo rankenėlės nuostatą, naudodami termostatą. Aplink šią rankenėlę esantys skaičiai parodo šaldymo laipsnius.
- Jeigu aplinkos (kambario arba garažo) temperatūra yra nuo 0 °C iki -15 °C, rekomenduojame nustatyti rankenėlę ties nuostata 4, kad šaldiklio skyriuje būtų pasiekta -18 °C temperatūra. Sukant nustatymo rankenėlę link maks. padėties, galima pasirinkti žemesnės temperatūros nustatymus.

•Maksimalią šaldyto maisto skyriaus talpą galima gauti nenaudojant viršutinės lentynos dangčio, esančio šaldiklio skyriuje. Pateiktosios šio prietaiso energijos sąnaudos nustatytos visiškai užpildžius šaldiklio skyrių, nenaudojant viršutinės lentynos dangčio.

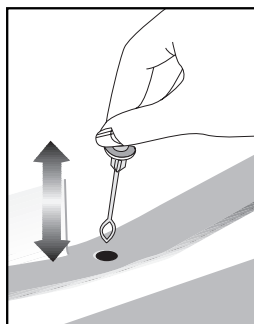
Atšildykite

Šaldytuvo skyrius

Šaldytuvo skyrius atšyla visiškai automatiškai. Šaldytuvui vėstant, ant vidinės galinės šaldytuvo skyriaus sienelės gali susidaryti vandens lašų ir 7-8 mm šerkšnas. Tai normalus aušinimo sistemos reiškinys. Susidaręs šerkšnas atšildomas automatinio atšildymo metu, kurį tam tikrais intervalais atlieka galinės sienelės atšildymo sistema. Vartotojui nereikia grandyti šerkšno arba šalinti vandens lašelių.

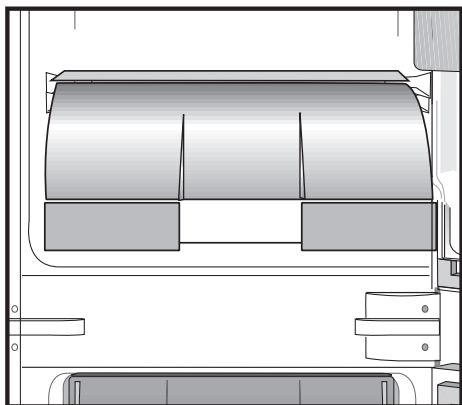
Vanduo, susidaręs atšildymo metu, teka vandens surinkimo grioveliu ir pro išleidimo vamzdelį suteka į garintuvą bei savaime išgaruoja.

Reguliariai tikrinkite, ar išleidimo vamzdelis nėra užkištas ir, kai reikia, išvalykite jį, naudodami pagaliuką. Šaldiklio kamera atšyla automatiškai.



Nulles grādu temperatūras nodalījums

Šis nodalījums paredzēts lēni atļaidināmas saldētas pārtikas (gaļas, zivju, vistas utt.) uzglabāšanai. Nulles grādu temperatūras nodalījums ir visaukstākā vieta ledusskapī, kurā piena produkti (siers, sviests), gaļa, zivis vai mājputnu gaļa var tikt uzglabāta ideālos apstākļos. Šajā nodalījumā nevajadzētu likt dārzeņus un/vai augļus.



6 Techninė priežiūra ir valymas

- ⚠ Valymui niekada nenaudokite benzino, benzolo arba panašių medžiagų.
- ⚠ Prieš valymą rekomenduojama išjungti buitinių prietaisą iš maitinimo tinklo.
- ❗ Valymui niekada nenaudokite aštrių abrazyvinių įrankių, muilo, buitinio valiklio, skalbimo priemonių ar vaško poliravimui.
- ❗ Buitinio prietaiso skyrių nuvalykite drungnu vandeniu, o po to sausai iššluostykite.
- ❗ Šaldytuvo vidui valyti naudokite drėgną nuspaustą skudurėlį, sudrėkintą tirpale, pagamintame iš tirpinus vieną arbatinį šaukštelį sodos (bikarbonato) vienoje pintoje (0,57 litro) vandens; po to sausai iššluostykite.
- ⚠ Žiūrėkite, kad į lemputės korpusą ir kitus elektros elementus nepatektų vandens.
- ⚠ Jeigu ketinate ilgam nenaudoti buitinio prietaiso, išjunkite jį ir išimkite visą maistą, išvalykite jį ir palikite dureles pravertas.
- ❗ Reguliariai patikrinkite, ar durelių tarpikliai yra švarūs ir ant jų nėra maisto dalelių.
- ❗ Norėdami ištraukti durelių lentynas, išimkite visus daiktus ir po to paprasčiausiai patraukite durelių lentyną į viršų nuo pagrindo.

- ❗ Valydami išorinius prietaiso paviršius bei chromu padengtas dalis, niekada nenaudokite valymo medžiagų ar vandens su chloru. Chloras sukelia tokių metalinių paviršių koroziją.

Plastikinių paviršių apsauga

- ❗ Į šaldytuvą nedėkite skysto aliejaus ar aliejuje virto maisto neuždarytuose induose, nes tokie produktai pažeis šaldytuvo plastikinius paviršius. Jei aliejus išsilieja ant plastikinių paviršių arba juos sutepa, užterštą vietą iš karto nuvalykite ir nuplaukite šiltu vandeniu.

7 Rekomenduojami problemų sprendimo būdai

Prieš kreipdamiesi į aptarnavimo tarnybą, prašom peržiūrėti šį sąrašą. Taip sutaupysite laiko ir pinigų. Šiame sąrašė pateikiamos dažniausiai pasitaikančios problemos, kurios nėra susijusios su pagaminimo arba naudojamų medžiagų broku. Kai kurių čia aprašytų funkcijų jūsų įsigytame gaminyje gali nebūti.

Šaldytuvas neveikia.
<ul style="list-style-type: none">• Ar tinkamai įkištas šaldytuvo laido kištukas? Įkiškite kištuką į sieninį lizdą.• Ar neperdegė lizdo, į kurį yra įjungtas šaldytuvas, saugiklis arba maitinimo tinklo saugiklis? Patikrinkite saugiklį.
Kondensacija ant šaldytuvo skyriaus šoninių sienų. (MULTI ZONE, COOL CONTROL ir FLEXI ZONE)
<ul style="list-style-type: none">• Labai žema aplinkos temperatūra. Dažnai atidaromos ir uždaromos durelės. Didelis aplinkos drėgnumas. Neuždarytuose induose laikomi skysti maisto produktai. Durelės buvo paliktos atidarytos.• Nustatykite žemesnę termostato temperatūrą.• Trumpiau laikykite dureles atviras arba jas rečiau darinkite.• Tinkamomis medžiagomis uždenkite atviruose induose laikomus maisto produktus.• Susidariusius lašelius nuvalykite sausu skudurėliu ir patikrinkite, ar jie vėl susidaro.
Neveikia kompresorius.
<ul style="list-style-type: none">• Įvykus staigiam energijos tiekimo pertrūkiui, iššoks kompresoriaus terminis saugiklis, arba, jei šaldytuvo slėgis aušinamojoje sistemoje nesubalansuotas, įsijungia išjungiklis.• Šaldytuvas pradės veikti maždaug po 6 minučių. Jei praėjus šiam periodui šaldytuvas neįsijungia, kreipkitės į aptarnavimo tarnybą.• Vyksta aldytuvo atsildymo ciklas. Tai normalus visikai automatinio atsildymo aldytuvo veikimas. Atsildymo ciklas vyksta periodikai.• Šaldytuvo laido kištukas neįkištas į lizdą. Patikrinkite, ar kištukas gerai įkištas į sieninį lizdą.• Ar nustatyta teisinga temperatūra? Įvyko energijos tiekimo pertrūkis. Kreipkitės į elektros tiekimo įmonę.

Šaldytuvas dažnai įsijungia arba ilgą laiką veikia.
<ul style="list-style-type: none"> • Gali būti, kad jūsų naujasis šaldytuvas platesnis už ankstesnįjį. Tai visiškai normalu. Dideli šaldytuvai veikia ilgesnį laiką. • Gali būti, kad patalpoje yra aukšta temperatūra. Tai visiškai normalu. • Gali būti, kad šaldytuvas neseniai prijungtas arba jį neseniai sudėta maisto produktų. Visiškas šaldytuvo atvėsimas gali trukti pora valandų ilgiau. • Gali būti, kad į šaldytuvą neseniai įdėta daug karštų maisto produktų. Įdėjus karštų maisto produktų, šaldytuvas veikia ilgiau, t.y. tol, kol produktai atvėsinami iki saugaus laikymo temperatūros. • Gali būti, kad buvo dažnai atidarinėjamos durelės arba jos buvo ilgą laiką paliktos atidarytos. Į šaldytuvą pateko šilto oro, todėl šaldytuvas ilgiau veikia. Rečiau atidarinkite dureles. • Gali būti, kad šaldiklio arba šaldytuvo skyriaus durelės buvo paliktos atidarytos. Patikrinkite, ar gerai uždaryte dureles. • Šaldytuve nustatyta labai žema temperatūra. Nustatykite aukštesnę šaldytuvo temperatūrą ir palaukite, kol ši temperatūra bus pasiekta. • Gali būti, kad užsiteršė, susidėvėjo, buvo pažeistas arba blogai priglunda šaldytuvo arba šaldiklio durelių tarpiklis. Tarpiklį nuvalykite arba pakeiskite. Dėl pažeisto tarpiklio šaldytuvas ilgiau veikia, kad būtų palaikoma esama temperatūra.
Šaldiklio temperatūra labai žema, tačiau šaldytuvo skyriaus temperatūra normali.
<ul style="list-style-type: none"> • Šaldiklyje nustatyta labai žema temperatūra. Nustatykite aukštesnę šaldiklio temperatūrą ir patikrinkite.
Šaldytuvo temperatūra labai žema, tačiau šaldiklio skyriaus temperatūra normali.
<ul style="list-style-type: none"> • Šaldytuve nustatyta labai žema temperatūra. Nustatykite aukštesnę šaldytuvo temperatūrą ir patikrinkite.
Šaldytuvo skyriaus stalčiuose laikomi maisto produktai sušąla.
<ul style="list-style-type: none"> • Šaldytuve nustatyta labai žema temperatūra. Nustatykite aukštesnę šaldytuvo temperatūrą ir patikrinkite.
Temperatūra šaldytuve arba šaldiklyje labai aukšta.
<ul style="list-style-type: none"> • Šaldytuve nustatyta labai aukšta temperatūra. Šaldytuvo temperatūros nuostata daro poveikį šaldiklio temperatūrai. Nustatykite tokią šaldytuvo arba šaldiklio temperatūrą, kad ji būtų reikiamo lygio. • Gali būti, kad durelės paliktos atidarytos. Dureles gerai uždarykite. • Gali būti, kad į šaldytuvą neseniai įdėta daug karštų maisto produktų. Palaukite, kol šaldytuve arba šaldiklyje bus pasiekta norima temperatūra. • Gali būti, kad šaldytuvas neseniai buvo prijungtas. Šaldytuvas yra didelis, todėl jis visiškai atvėsta praėjus tam tikram laikui.

Iš šaldytuvo sklinda garsai, primenantys mechaninio laikrodžio sekundžių tiksėjimą.
<ul style="list-style-type: none"> Šį garsą skleidžia šaldytuvo solenoidinis vožtuvas. Solenoidinio vožtuvo funkcija - užtikrinti, kad šaldytuvo skyriuje cirkuluotų aušinimo skystis; šis vožtuvas leidžia nustatyti aušinimą arba šaldymą bei vykdyti aušinimo funkcijas. Tai visiškai normalu ir nėra gedimas.
Šaldytuvui pradėjus veikti, jis veikia triukšmingai.
<ul style="list-style-type: none"> Šio šaldytumo darbo našumo savybės gali kisti, priklausomai nuo aplinkos temperatūros pokyčių. Tai normalu ir nėra gedimas.
Vibracija arba triukmas.
<ul style="list-style-type: none"> Nelygios arba silpnos grindys. Šaldytuvus lėtai judinamas linguoja. Grindys turi būti lygios, pakankamai tvirtos, kad išlaikytų šaldytuvą. Triukšmą gali kelti ant šaldytuvo sudėti daiktai. Tokius daiktus reikėtų nuimti nuo šaldytuvo viršaus.
Garsai, panašūs į skysčio ištekėjimą arba purškimą.
<ul style="list-style-type: none"> Šaldytuvus veikia jo viduje cirkuliuojant skysčio ir dujų srautams. Tai normalu ir nėra gedimas.
Girdimas garsas, kyg vėjas pūstų.
<ul style="list-style-type: none"> Norint, kad šaldytuvus veiksmingai šaldytų, jame naudojami oro srauto aktyviekiai (ventiliatoriai). Tai normalu ir nėra gedimas.
Kondensacija ant vidinių šaldytuvo sienų.
<ul style="list-style-type: none"> Apledėjimas ir kondensacija didėja esant karštam ir drėgnam orui. Tai normalu ir nėra gedimas. Atidarytos durelės. Patikrinkite, ar visiškai uždarėte šaldytuvo duris. Gali būti, kad durelės buvo dažnai darinėjamos arba jos ilgą laiką buvo paliktos atidarytos. Rečiau atidarinkite dureles.
Ant šaldytuvo išorės arba tarp durelių susidaro drėgmės.
<ul style="list-style-type: none"> Gali būti, kad oras labai drėgnas. Esant drėgnam orui tai visiškai normalu. Sumažėjus drėgnumui, kondensacija nesusidarys.
Šaldytuve sklinda prastas kvapas.
<ul style="list-style-type: none"> Reikia išvalyti šaldytuvo vidų. Šaldytuvo vidų išvalykite naudodami kempinę, šiltą arba prisotintą angliarūgštės vandenį. Gali būti, kad kvapą išskiria kai kurie indai arba pakuotės medžiagos. Naudokite kitą indą arba kitokios rūšies pakavimo medžiagą.
Durelės neužsidaro.
<ul style="list-style-type: none"> Gali būti, kad durims neleidžia užsidaryti maisto produktų pakuotės. Pakuotes, kurios trukdo durelėms užsidaryti, padėkite į kitą vietą. Gali būti, kad šaldytuvus nelygiai stovi ant grindų, todėl nesmarkiai jį stumtelėjus, jis gali judėti. Sureguliuokite aukščio reguliavimo varžtus. Nelygios arba netvirtos grindys. Grindys turi būti lygios ir pakankamai tvirtos, kad išlaikytų šaldytuvą.
Užstringa stalčiai.
<ul style="list-style-type: none"> Gali būti, kad maisto produktai liečia stalčiaus stogą. Pertvarkykite stalčiuje esančius maisto produktus.

Lūdzu, vispirms izlasiet šo rokasgrāmatu!

Cienījamais pircēj!

Ceram, ka jūsu produkts, kas ražots modernās rūpnīcās un pārbaudīts ļoti pedantiskas kvalitātes kontroles procedūras laikā, nodrošinās efektīvu darbību.




Tādēļ mēs vēlētos ieteikt pirms produkta izmantošanas rūpīgi izlasīt visu rokasgrāmatu un turēt to ērti pieejamā vietā, lai vienmēr varētu tajā ieskatīties.

Šī rokasgrāmata

- Palīdzēs ātri un droši lietot iekārtu.
 - Izlasiet šo rokasgrāmatu pirms produkta uzstādīšanas un izmantošanas.
 - Ievērojiet norādījumus, it īpaši tos, kas saistīti ar drošību.
 - Turiet šo rokasgrāmatu viegli pieejamā vietā, jo jums tā var būt nepieciešama vēlāk.
 - Izlasiet arī citus kopā ar produktu saņemtus dokumentus.
- Lūdzu, atcerieties, ka šī rokasgrāmata var attiekties arī uz citiem modeļiem.

Simboli un to apraksti

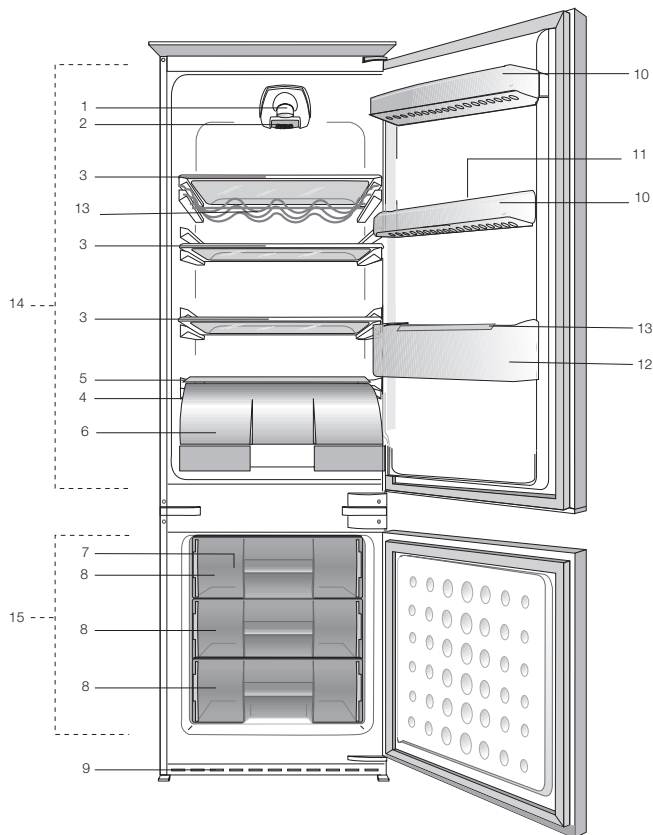
Šajā rokasgrāmatā redzami šādi simboli:

-  Svarīga informācija vai noderīgi padomi par izmantošanu.
-  Brīdinājums par dzīvībai un īpašumam bīstamiem apstākļiem.
-  Brīdinājums par elektrisko spriegumu.

SATURS

1 Jūsu ledusskapis	3	4 Sagatavošana	11
2 Svarīgi brīdinājumi par drošību	4	5 Ledusskapja izmantošana	14
Paredzētā lietošana	4	Termostata iestatīšanas poga	14
Piezīme par iekārtām ar ūdens automātu;	6	Atlaidināšana	14
Bērnu drošība.....	6	Nulles grādu temperatūras nodalījums	15
Atbilstība EEIA direktīvai un atkritumu pārstrāde	6	6 Apkope un tīrīšana	16
Atbilstība direktīvai par bīstamo vielu ierobežošanu elektroniskajā un elektriskajā aprīkojumā.....	7	Plastmasas virsmu aizsargāšana	16
Informācija par iepakojumu	7	7 Ieteicamie problēmu risinājumi	17
Brīdinājums par HCA	7		
Kas darāms, lai ietaupītu enerģiju.....	7		
3 Uzstādīšana	8		
Lietas, kas jāapsver, atkārtoti pārvietojot ledusskapi	8		
Pirms ledusskapja izmantošanas	8		
Atbrīvošanās no iepakojuma	9		
Atbrīvošanās no vecā ledusskapja	9		
Novietošana un uzstādīšana	9		
Iekšējā apgaismojuma spuldzes nomaiņa	10		

1 Jūsu ledusskapis



- | | |
|--|--------------------------------|
| 1. Temperatūras regulēšanas poga | 9. Gaisa režģis |
| 2. Lekšējais apgaismojums | 10. Regulējamās durvju plaukti |
| 3. Regulējami plaukti | 11. Olu paplāte |
| 4. Atkušanas ūdens savākšanas kanālu -
Drenāžas caurule | 12. Pudeļu plaukts |
| 5. Skaidrāku vāks | 13. Pudeļu turētājs |
| 6. 0 ° C nodaļums | 14. Ledusskapis nodaļums |
| 7. Ledus banka | 15. Saldēšanas nodaļums |
| 8. Saldēšanas nodaļums | |

I Attēli šajā instrukciju rokasgrāmatā ir shēmatiski un var precīzi neatbilst jūsu modelim. Ja attiecīgās daļas nav iekļautas jūsu iegādātā produkta komplektācijā, tad tās attiecas uz citiem modeļiem.

2 Svarīgi brīdinājumi par drošību

Lūdzu, iepazīstieties ar šo informāciju. Šīs informācijas neievērošana var kļūt par cēloni traumām vai materiālajiem bojājumiem. Tā rezultātā visas garantijas un saistības par iekārtas drošību zaudēs spēku.

Jūsu iegādātā izstrādājuma kalpošanas laiks ir 10 gadi. Šo laika periodu jāsaglabā rezerves daļas, kas nepieciešamas, lai iekārta darbotos, kā aprakstīts.

Paredzētā lietošana

Šī iekārta ir paredzēta lietošanai:

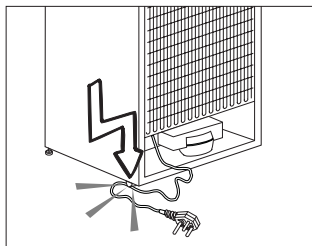
- iekštelpās un norobežotās vietās, piemēram, mājās;
 - slēgtā darba vidē, piemēram, veikalos un birojos;
 - norobežotās apmešanās vietās, piemēram, fermās, viesnīcās un pansijās.
- Šo iekārtu nevajadzētu izmantot ārpus telpām.

Vispārējā drošība

- Ja vēlaties atbrīvoties no šī izstrādājuma vai to pārstrādāt, mēs iesakām konsultēties ar pilnvarotu apkalpošanas centru, lai uzzinātu nepieciešamo informāciju un atrastu pilnvarotas organizācijas.
- Sazinieties ar pilnvarotu apkalpošanas centru saistībā ar visiem jautājumiem un problēmām attiecībā uz ledusskapi. Neveiciet ledusskapja remontu vai modifikāciju un neļaujiet to darīt citiem, neinformējot pilnvarotus pakalpojuma sniedzējus.

- Piezīme par iekārtām ar saldēšanas kameru: neēdiet saldējumu un ledus gabaliņus tūlīt pēc izņemšanas no saldēšanas kameras! (Tas var izraisīt mutes apsaldēšanu.)
- Piezīme par iekārtām ar saldēšanas kameru: neievietojiet šķidrus, pudelēs vai skārdenēs esošus dzērienus saldēšanas kamerā. Tie var saplīst.
- Nepieskarieties sasaldētam ēdienam ar rokām, jo tas var pie tām pielipt.
- Pirms atslaidināšanas vai tīrīšanas atvienojiet ledusskapi no barošanas avota.
- Ledusskapja tīrīšanas un atslaidināšanas laikā nevajadzētu izmantot tvaiku un izgarojošus tīrīšanas līdzekļus. Šādos gadījumos garaiņi var piekļūt elektriskajām daļām un radīt īssavienojumu vai elektriskās strāvas triecienu.
- Nekad neizmantojiet ledusskapja daļas, piemēram, durvis, kā atbalstu vai pakāpienu.
- Neizmantojiet elektriskās iekārtas ledusskapja iekšpusē.
- Neurbiet un nezāgējiet daļas, kurās cirkulē dzesēšanas šķidrums. Dzesēšanas šķidrums, kas var izplūst, kad iztvaices aparāta gāzes kanāli, cauruļvadu pagarinājumi vai virsmas apvalki tiek pārplēsti, izraisa ādas iekaisumus un acu traumas.
- Ar nekādiem materiāliem neaizklājiet un nenobloķējiet ledusskapja ventilācijas atveres.
- Elektroiekārtu remontu drīkst veikt tikai pilnvarotas personas. Labošana, ko veikušas nekompetentas personas, rada risku lietotājam.

- Bojājuma vai apkopes un labošanas darbu laikā atvienojiet ledusskapja strāvas padevi, atvienojot attiecīgo drošinātāju vai iekārtas spraudkontakta.
- Atvienojot spraudkontakta, to nevelciet aiz vada.
- Stipros alkoholiskos dzērienus turiet cieši noslēgtus un vertikāli.
- Nekādā gadījumā neglabājiet ledusskapī aerosolus, kuru sastāvā ir viegli uzliesmojošas un sprādzienbīstamas vielas.
- Neizmantojiet mehāniskas ierīces vai citus līdzekļus, lai paātrinātu atļaidināšanas procesu, ja vien tos nav ieteicis ražotājs.
- Šī iekārta nav paredzēta, lai to izmantotu personas ar fiziskajiem, garīgajiem un uztveres traucējumiem vai cilvēki bez pieredzes un zināšanām (tostarp bērni), ja vien viņus neuzrauga persona, kas ir atbildīga par viņu drošību vai sniedz norādījumus par iekārtas izmantošanu.
- Neizmantojiet bojātu ledusskapi. Ja jums rodas kaut kādas bažas, sazinieties ar apkalpošanas pārstāvi.
- Ledusskapja elektrodrošība var tikt garantēta tikai tad, ja iezemējuma sistēma jūsu mājā atbilst standartiem.
- Iekārtas pakļaušana lietūs, sniega, saules un vēja iedarbībai apdraud elektrodrošību.
- Ja spēka kabelis ir bojāts, lai izvairītos no briesmām, sazinieties ar pilnvarotu apkalpošanas centru.
- Uzstādīšanas laikā nekādā gadījumā neievietojiet spraudkontakta sienas kontaktligzdā. Pretējā gadījumā var rasties nāves draudu vai nopietnas traumas risks.
- Šis ledusskapis ir paredzēts tikai pārtikas uzglabāšanai. To nevajadzētu izmantot nekādam citam mērķim.
- Uzlīme ar izstrādājuma tehniskajiem datiem atrodas ledusskapja iekšpusē pa kreisi.
- Nekādā gadījumā nepievienojiet ledusskapi pie elektrības taupīšanas sistēmas, jo tas var sabojāt ledusskapi.
- Ja ledusskapim ir zils gaismas indikators, neskatieties uz to caur optiskām ierīcēm.
- Ja ledusskapji ir manuāli vadāmi, tad pirms to pārstartēšanas pēc elektropadeves traucējumiem ir jāpagaida vismaz 5 minūtes.
- Ja ledusskapis tiek atdots kādam citam, arī šī lietošanas rokasgrāmata ir jāatdod jaunajam īpašniekam.
- Ledusskapja transportēšanas laikā izvairieties no spēka kabeļa bojājumiem. Kabeļa saliekšana var izraisīt ugunsgrēku. Nekādā gadījumā nelieciet uz spēka kabeļa smagus priekšmetus. Pievienojot iekārtu barošanas avotam, nepieskarieties spraudkontakta ar slapjām rokām.



- Nepievienojiet ledusskapi vaļīgai sienas kontaktligzdai.
- Drošības apsvērumu dēļ izvairieties no ledusskapja iekšējo un ārējo daļu apšļakstīšanas ar ūdeni.

- Lai izvairītos no ugunsgrēka un sprādziena riska, ledusskapja tuvumā neizsmidziniet vielas, kuru sastāvā ir viegli uzliesmojošas gāzes, piemēram, propāna gāze.
- Nekādā gadījumā nelieciet uz ledusskapja virsmas traukus ar ūdeni, jo tas var izraisīt elektriskās strāvas triecienu vai ugunsgrēku.
- Nepārslogojiet ledusskapi ar pārāk lielu pārtikas daudzumu. Ja ledusskapis ir pārāk pilns, tad, atverot durvis, pārtika var izkrist no ledusskapja, radot kaitējumu jums vai iekārtai. Nekādā gadījumā nelieciet priekšmetus uz ledusskapja virsmas, jo ledusskapja durvju atvēršanas vai aizvēršanas laikā tie var nokrist.
- Ledusskapī nedrīkst turēt vakcīnas, temperatūras jutīgus medikamentus un zinātniskiem pētījumiem paredzētus materiālus, jo tiem ir nepieciešama noteikta uzglabāšanas temperatūra.
- Ja ledusskapis netiks ilgstoši izmantots, tas jāatvieno no barošanas avota. Spēka kabeļa bojājuma gadījumā var sākties ugunsgrēks.
- Spraudkontakta dakšas ir regulāri jātīra, jo pretējā gadījumā var sākties ugunsgrēks.
- Spraudņa gals ir regulāri jātīra ar sausu drāniņu. Ja to nedarīsiet, tas var kļūt par ugunsgrēka cēloni.
- Ja regulējamās kājiņas nav pareizi nostiprinātas uz grīdas, tad ledusskapis var kustēties. Regulējamo kājiņu pareiza nostiprināšana uz grīdas var novērst ledusskapja kustēšanos.
- Nesot ledusskapi, neturiet to aiz durvju roktura. Pretējā gadījumā tas var nolūzt.

- Novietojot iekārtu līdzās citam ledusskapim vai saldētavai, starp šīm iekārtām ir jābūt vismaz 8 cm attālumam. Pretējā gadījumā uz līdzās esošajām sienām var kondensēties mitrums.

Piezīme par iekārtām ar ūdens automātu;

Ūdensvada minimālais spiediens drīkst būt 1 bārs. Ūdensvada maksimālais spiediens drīkst būt 8 bāri.

- Izmantojiet tikai dzeramo ūdeni.

Bērnu drošība

- Ja durvis ir slēdzamas, tad atslēga jāglabā bērniem nepieejamā vietā.
- Jāuzrauga, lai bērni nespēlētos ar iekārtu.

Atbilstība direktīvai par bīstamo vielu ierobežošanu elektroniskajā un elektriskajā aprīkojumā

Jūsu nopirktā iekārta atbilst ES direktīvas par bīstamo vielu ierobežošanu elektroniskajā un elektriskajā aprīkojumā (2011/65/ES) prasībām. Tās sastāvā nav šajā direktīvā norādīto kaitīgo un aizliegtu materiālu.

Informācija par iepakojumu

Iekārtas iepakojums ir izgatavots no otrreizēji pārstrādājamiem materiāliem atbilstoši mūsu valsts vides aizsardzības noteikumiem. Neizmetiet iepakojuma materiālus kopā ar mājsaimniecības vai citiem atkritumiem. Nogādājiet tos vietējo pašvaldību norādītajās iepakojuma materiālu savākšanas vietās.

Brīdinājums par HCA

Ja iekārtas dzesēšanas sistēma satur R600a

Šī gāze ir viegli uzliesmojoša. Tādēļ pievērsiet uzmanību tam, lai izmantošanas un transportēšanas laikā dzesēšanas sistēma un cauruļvadi netiktu bojāti. Bojājuma gadījumā neturiet iekārtu potenciālu uguns avotu tuvumā, jo tas var izraisīt iekārtas aizdegšanos, un vēdiniet telpu, kurā novietota iekārta.

Neņemiet vērā šo brīdinājumu, ja iekārtai ir dzesēšanas sistēma, kas satur R134a.

Iekārtā izmantotais gāzes tips ir norādīts uz specifikācijas plāksnītes ledusskapja iekšpuses kreisajā pusē.

Nekādā gadījumā neatbrīvojieties no iekārtas, to sadedzinot.

Kas darāms, lai ietaupītu enerģiju

- Neturiet ledusskapja durvis ilgstoši atvērtas.
- Neievietojiet ledusskapī karstu pārtiku vai dzērienus.
- Nepārpildiet ledusskapi, lai netiktu traucēta gaisa cirkulācija tā iekšpusē.
- Nenovietojiet ledusskapi tiešā saules gaismā vai karstumu izstarojošu iekārtu, piemēram, krāsns, trauku mazgājamās iekārtas vai radiatoru, tuvumā.
- Pievērsiet uzmanību tam, lai pārtika atrastos aizvērtos traukos.
- Piezīme par iekārtām ar saldēšanas kameru. Saldēšanas kamerā varat saglabāt maksimālo ēdiena daudzumu, izņemot no tās plauktu vai atvilktni. Norādītā saldēšanas kameras enerģijas patēriņa vērtība ir noteikta iekārtai ar izņemtu plauktu vai atvilktni un maksimālo noslodzi. Nepastāv nekāds risks, izmantojot plauktu vai atvilktni atbilstoši sasaldējamās pārtikas formai un izmēram.
- Sasaldētās pārtikas atļaidināšana ledusskapja nodalījumā gan ietaupīs elektroenerģiju, gan saglabās pārtikas kvalitāti.

3 Uzstādīšana

⚠ Lūdzu ņemiet vērā, ka ražotājs neuzņemas atbildību, ja instrukciju rokasgrāmatā iekļautā informācija netiek ievērota.

Lietas, kas jāapsver, atkārtoti pārvietojot ledusskapi

1. Jūsu ledusskapim pirms jebkuras transportēšanas ir jābūt iztukšotam un iztīrītam.
2. Ledusskapja plauktiem, piederumiem, atvilktnēm utt. pirms atkārtotas iepakojšanas ir jābūt cieši nostiprinātiem ar līmlenti, lai tos nodrošinātu pret jebkādiem triecieniem.
3. Iepakojumam ir jābūt cieši nostiprinātam ar virvēn un līmlentēm, un jāievēro uz iepakojuma norādītie transportēšanas noteikumi.

Lūdzu, neaizmirstiet...

Ikviens pārstrādātais materiāls ir svarīgs avots dabai un mūsu nacionālajiem resursiem.

Ja jūs vēlaties nodot iepakojuma materiālu otrreizējai pārstrādei, papildu informāciju varat iegūt no vides aizsardzības organizācijām vai vietējās varas pārstāvjiem.

Pirms ledusskapja izmantošanas

Pirms ledusskapja ieslēgšanas pārbaudiet šādas lietas.

1. Vai ledusskapja iekšpuse ir tīra un gaiss tā aizmugurē var brīvi cirkulēt?
2. Varat uzlikt 2 plastmasas ķīļus,

kā parādīts attēlā. Plastmasas ķīļi nodrošinās nepieciešamo attālumu starp ledusskapi un sienu, lai notiktu gaisa cirkulācija. (Attēls dots tikai piemēram, un tas precīzi neatbilst jūsu izstrādājuma izskatam.)

3. Iztīriet ledusskapja iekšpusi, kā ieteikts sadaļā "Apkope un tīrīšana".
4. Pievienojiet ledusskapja sienas kontaktligzdai. Kad ledusskapja durvis tiks atvērtas, tad iedegsies ledusskapja nodalījuma iekšējais apgaismojums.
5. Būs dzirdams troksnis, jo kompresors sāks darbību. Troksni var radīt arī šķidrums un gāzes, kas atrodas dzesēšanas sistēmā, pat tad, ja kompresors nedarbojas, un tas ir normāli.
6. Ledusskapja priekšējās malas var būt siltas. Tas ir normāli. Šīm vietām ir jābūt siltām, lai izvairītos no kondensācijas.

Pievienošana elektrotīklam

Pievienojiet iekārtu iezemētai kontaktligzdai, kas aizsargāta ar atbilstošas jaudas drošinātāju.

Svarīgi!

- Savienojumam jāatbilst nacionālajiem noteikumiem.
- Pēc uzstādīšanas spēka kabeļa spraudkontaktam jābūt viegli pieejamam.
- Norādītajam spriegumam jāatbilst jūsu elektrotīkla spriegumam.
- Savienošanai nedrīkst tikt izmantoti

pagarinātāji vai sadalītāji.

⚠ Bojātu elektrisko kabeli jānomaina kvalificētam elektriķim.

⚠ Iekārtu nedrīkst izmantot, kamēr tā nav salabota! Pastāv elektriskās strāvas trieciena risks!

Atbrīvošanās no iepakojuma

Iepakojuma materiāli var būt bīstami bērniem. Glabājiet iepakojuma materiālus bērniem nepieejamā vietā vai atbrīvojieties no tiem atbilstoši noteikumiem par atkritumu apglabāšanu un pārstrādi. Tos nedrīkst izmest kopā ar parastiem sadzīves atkritumiem.

Ledusskapja iepakojums ir izgatavots no otrreizēji pārstrādājamiem materiāliem.

Atbrīvošanās no vecā ledusskapja

Atbrīvojieties no vecās iekārtas tā, lai netiktu nodarīts kaitējums videi.

- Par atbrīvošanos no ledusskapja varat konsultēties ar pilnvarotu izplatītāju vai vietējās pašvaldības atkritumu savākšanas centru.

Pirms atbrīvošanās no ledusskapja, nogrieziet spraudkontakta un, ja uz durvīm ir slēdzenes, padariet tās neizmantojamas, lai pasargātu bērnus no jebkādam briesmām.

Novietošana un uzstādīšana

⚠ Ja ledusskapja uzstādīšanas telpā durvis ir par šauru, lai ledusskapi pa

tām ievietotu, sazinieties ar pilnvarotu pakalpojuma sniedzēju, lai izņemtu ledusskapja durvis un ievietotu ledusskapi pa durvīm sāniski.

1. Uzstādiet ledusskapi vietā, kurā to iespējams viegli izmantot.

2. Neturiet ledusskapi karstuma avota tuvumā, mitrās vietās un tiešā saules gaismā.

3. Lai nodrošinātu efektīvu darbību, apkārt ledusskapim ir jābūt pietiekamai ventilācijai.

Ja ledusskapis ir jāievieto sienas nišā, jābūt vismaz 5 cm attālumam no griestiem un 5 cm attālumam no sienas.

Ja grīda ir klāta ar paklāju, iekārtai jāatrodas vismaz 2,5 cm virs grīdas.

4. Novietojiet ledusskapi uz līdzenas grīdas virsmas, lai izvairītos no vibrācijas.

lekšējā apgaismojuma spuldzes nomaiņa

Lai nomainītu ledusskapja apgaismojuma lampu, lūdzu, sazinieties ar pilnvarotu pakalpojuma sniedzēju.

Prietaise naudojamos lemputės nėra skirtos kambarių apšvietimui namų sąlygomis. Šios lemputės yra skirtos pagelbėti naudotojui saugiai ir patogiai sudėti maisto produktus į šaldytuvą ar šaldiklį.

Šiame prietaise naudojamos lempos turi atlaikyti ekstremalias sąlygas, pavyzdžiui, žemesnę nei -20°C temperatūrą.

- Ledusskapis ir uzstādāms vismaz 30 cm attālumā no karstuma avotiem, piemēram, radiatoriem, sildītājiem, centrāl apkures un krāsnīm, un vismaz 5 cm attālumā no elektriskajām krāsnīm, un to nedrīkst novietot tiešā saules gaismā.

- Ledusskapja uzstādīšanas istabas temperatūrai ir jābūt vismaz 10° C. Ledusskapja darbināšana vēsākos apstākļos nav ieteicama saistībā ar tā efektivitāti.

- Lūdzu, pārliecinieties, ka ledusskapja iekšpuse ir rūpīgi iztīrīta.

- Ja ir jāuzstāda divi blakus esoši ledusskapji, starp tiem jānodrošina vismaz 2 cm atstarpe.

- Kad ledusskapis tiek iedarbināts pirmo reizi, lūdzu, ievērojiet šīs instrukcijas pirmo sešu darbības stundu laikā.

- Durvis nevajadzētu atvērt pārāk bieži.

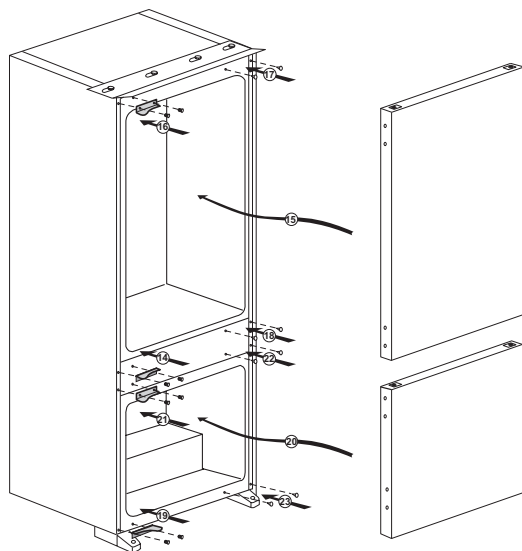
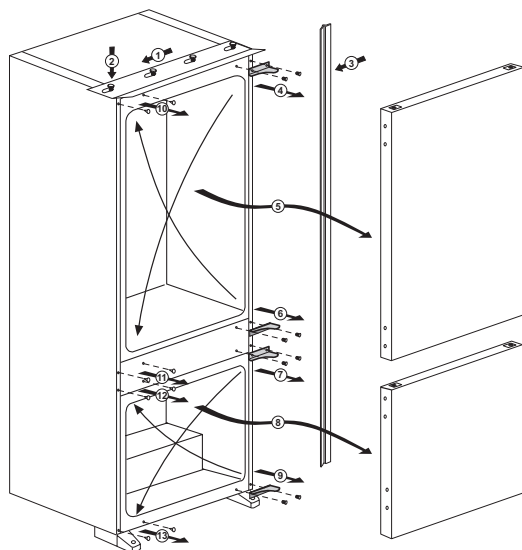
- Darbināšanu vajadzētu veikt bez ievietotas pārtikas.

- Neatvienojiet ledusskapi no strāvas avota. Elektroapgādes traucējumu gadījumā, lūdzu, skatiet brīdinājumus nodaļā "Ieteicamie problēmu risinājumi".

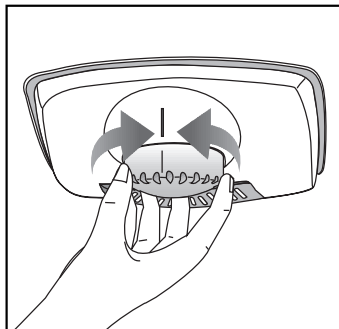
- Oriģinālo iepakojumu un putuplastu vajadzētu saglabāt transportēšanai vai pārvietošanai nākotnē.

Durvju ievietošana otrādi

Rīkojieties ar cipariem norādītajā secībā.



5 Ledusskapja izmantošana



Termostata iestatīšanas poga

Jūsu ledusskapja iekšējā temperatūra mainās šādu iemeslu dēļ:

- sezonālās temperatūras izmaiņas;
- bieža ledusskapja durvju atvēršana un ilgstoša atvērtu durvju atstāšana;
- pārtikas ievietošana ledusskapī bez atdzesēšanas līdz istabas temperatūrai;
- ledusskapja atrašanās vieta telpā (piem, tiešā saules gaismā);
- Šo iemeslu dēļ varat ar termostata palīdzību iestatīt dažādas iekšējās temperatūras. Skaitļi, kas atrodas apkārt termostata pogai, norāda atdzesēšanas pakāpi.
- Ja ārējās vides temperatūra ir augstāka par 32°C, tad novietojiet termostata pogu maksimālās saldēšanas stāvoklī.
- Ja ārējās vides temperatūra ir zemāka

par 25°C, tad novietojiet termostata pogu minimālās saldēšanas stāvoklī.

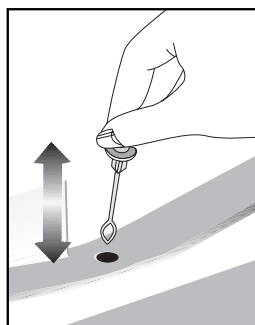
Atlaidināšana

Ledusskapja nodalījums

Ledusskapja nodalījumā tiek izpildīta pilnīgi automātiska atlaidināšana. Ledusskapja atdzišanas laikā uz ledusskapja nodalījuma iekšējās aizmugurējās sienas var rasties ūdens lāsītes un 7-8 mm bieza sarmas kārtā. Tas ir normāls dzesēšanas sistēmas darbības rezultāts. Pateicoties automātiskajai atlaidināšanas sistēmai, kas atrodas uz aizmugurējās sienas, ik pēc zināma laika intervāla šī sarmas kārtā tiek atlaidināta ar automātiskās atlaidināšanas funkcijas palīdzību. Lietotājam nav nepieciešams noskrāpēt sarmu un noslaucīt ūdens lāsītes.

Ūdens, kas radies atlaidināšanas rezultātā, no ūdens savākšanas renes pa noliešanas cauruli ieplūst iztvaikotājā un iztvaiko.

Regulāri pārbaudiet, vai noliešanas caurule nav aizsprostota, un, kad

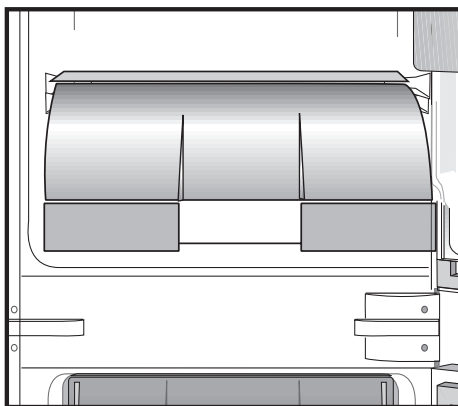


nepieciešams, ar stienīti iztīriet tās caurumu.

Lai izvairītos no saldētās pārtikas sabojāšanās, dziļās saldēšanas kamerā automātiskā atslādināšana nenotiek.

Nulles grādu temperatūras nodalījums

Šis nodalījums paredzēts lēni atslādināmas saldētās pārtikas (gaļas, zivju, vistas utt.) uzglabāšanai. Nulles grādu temperatūras nodalījums ir visaukstākā vieta ledusskapī, kurā piena produkti (siers, sviests), gaļa, zivis vai mājputnu gaļa var tikt uzglabāta ideālos apstākļos. Šajā nodalījumā nevajadzētu likt dārzeņus un/vai augļus.



6 Apkope un tīrīšana

- ⚠ Nekad tīrīšanas nolūkiem neizmantojiet gāzoliņu, benzīnu vai līdzīgas vielas.
- ⚠ Mēs iesakām iekārtu pirms tīrīšanas atvienot no strāvas avota.
- Nekad neizmantojiet asus abrazīvus instrumentus, ziepes, mājsaimniecības tīrīšanas līdzekļus, mazgāšanas līdzekļus un pulējamo vasku, lai veiktu tīrīšanu.
- Izmantojiet remdenu ūdeni, lai iztīrītu ledusskapja korpusu, un noslaukiet to sausu.
- Izmantojiet mīkstu audumu, kas samitrināts šķīdumā, kas sastāv no vienas tējkarotes sodas un 0,57 l ūdens, lai iztīrītu iekšpusi, un tad noslaukiet to sausu.
- Pievērsiet uzmanību tam, lai ūdens neiekļūtu lampas ietvarā un citās elektriskās iekārtās.
- Ja ledusskapis netiek izmantots ilgāku laiku, atvienojiet spēka kabeli, izņemiet visu pārtiku, iztīriet to un atstājiet durvis pusvīrus.
- Regulāri pārbaudiet durvju blīvējumu,

lai pārliecinātos, ka tas ir tīrs un tajā nav sakrājušās pārtikas daļiņas.

- Lai izņemtu durvju plauktus, izņemiet visu saturu un tad paceliet plauktus no apakšpuses uz augšu.
- Iekārtas ārējo virsmu un hromēto daļu tīrīšanai nekad neizmantojiet tīrīšanas līdzekļus vai ūdeni, kura sastāvā ir hlors. Hlors rada šādu metāla virsmu koroziju.

Plastmasas virsmu aizsargāšana

- Nelieciet uz ledusskapja šķidrās eļļas vai eļļā gatavotus ēdienus nenoslēgtos traukos, jo tie bojā ledusskapja plastmasas virsmas. Ja uz plastmasas virsmām izlīst vai izsmērējas eļļa, uzreiz notīriet un ar siltu ūdeni noskalojiet attiecīgo vietu.

7 Ieteicamie problēmu risinājumi

Lūdzu, pārskatiet šo sarakstu pirms sazināšanās ar apkopes centru. Tas var ietaupīt jūsu laiku un naudu. Šajā sarakstā ietvertas bieži sastopamas problēmas, kas nav saistītas ar defektīvu ražojumu vai defektīva materiāla izmantošanu. Jūsu izstrādājumam var nebūt visas šeit aprakstītās funkcijas.

Ledusskapis nedarbojas.

- Vai ledusskapis ir pareizi pievienots strāvas avotam? Ievietojiet spraudkontakta sienas kontaktligzdā.
- Vai nav izdedzis drošinātājs kontaktligzdai, kurai pievienots ledusskapis, vai arī izsists galvenais drošinātājs? Pārbaudiet drošinātāju.

Kondensācija uz ledusskapja nodalījuma sānu sienas. (MULTI ZONE, COOL CONTROL un FLEXI ZONE)

- Ļoti zemā ārējā temperatūra. Bieža durvju atvēršana un aizvēršana. Ļoti liels mitrums apkārtējā telpā. Tiek atvērtos traukos uzglabāta pārtika, kas satur šķidrumu. Durvis atstātas pusvīrus.
- Termostata iestatīšana zemākai temperatūrai.
- Samaziniet laiku, kad durvis tiek turētas atvērtas, vai retāk izmantojiet ledusskapi.
- Pārtikas, kas tiek glabāta atvērtos traukos, pārklāšana ar piemērotu materiālu.
- Noslaukiet kondensātu ar sausu audumu un pārbaudiet, vai tas saglabājas.

Kompresors nedarbojas

- Kompresora termiskā aizsardzība atslēgsies pēkšņu elektroapgādes traucējumu gadījumā vai arī pieslēgšanas-atslēgšanas laikā, jo dzesēšanas šķidrums ledusskapja dzesēšanas sistēmā nebūs sabalansēts.
- Ledusskapis sāks darboties pēc aptuveni 6 minūtēm. Lūdzu, sazinieties ar apkopes centru, ja ledusskapis nesāk darboties pēc šī laika perioda paiešanas.
- Ledusskapis izpilda atkausēšanas ciklu. Tas ir normāli ledusskapim, kas veic pilnīgi automātisku atlaidināšanu. Atlaidināšanas cikls periodiski atkārtojas.
- Ledusskapis nav pievienots kontaktligzdai. Pārbaudiet, vai spraudkontakts ir cieši iesprausts sienas kontaktligzdā.
- Vai temperatūras noregulēšana ir veikta pareizi? Noticis strāvas padeves pārrāvums. Sazinieties ar savu elektroenerģijas piegādātāju.

Ledusskapis darbojas bieži vai ilgu laiku.

- Iespējams jaunais ledusskapis ir platāks par iepriekšējo. Tas ir visai normāli. Lielī ledusskapji darbojas ilgāku laika periodu.
- Apkārtējā istabas temperatūra var būt augsta. Tas ir visai normāli.
- Iespējams ledusskapis ir nesen ieslēgts vai tajā nesen ievietota pārtika. Ledusskapja pilnīga atdzesēšana var notikt pāris stundas ilgāk.
- Nesen ledusskapī ievietots liels daudzums karsta ēdiena. Karsts ēdiens izraisa ilgāku ledusskapja darbību, līdz tiek sasniegta droša uzglabāšanas temperatūra.
- Iespējams durvis tiek bieži atvērtas vai ilgstoši atstātas pusvīrus. Siltais gaiss, kas iekļūst ledusskapī, liek tam darboties ilgāku laiku. Atveriet durvis retāk.
- Iespējams ledusskapja nodalījuma durvis atstātas pusvīrus. Pārbaudiet, vai durvis ir cieši aizvērtas.
- Ledusskapis ir noregulēts ļoti zemei temperatūrai. Iestatiet augstāku ledusskapja temperatūru un gaidiet, līdz šī temperatūra tiek sasniegta.
- Ledusskapja vai saldēšanas kameras durvju blīvējums var būt netīrs, nodilīis, ieplīsis vai nepareizi novietots. Notīriet vai nomainiet blīvējumu. Bojāts/ieplīsis blīvējums liek ledusskapim darboties ilgāku laiku, lai saglabātu esošo temperatūru.

Saldēšanas kameras temperatūra ir ļoti zema, bet ledusskapja temperatūra ir apmierinoša.

- Saldētāja temperatūra ir noregulēta ļoti zemei temperatūrai. Iestatiet augstāku saldētāja temperatūru un pārbaudiet.

Ledusskapja temperatūra ir ļoti zema, bet saldēšanas kameras temperatūra ir apmierinoša.

<ul style="list-style-type: none"> • Ledusskapja temperatūra ir noregulēta ļoti zemei temperatūrai. Iestatiet augstāku ledusskapja temperatūru un pārbaudiet.
Pārtika, kas atrodas ledusskapja nodalījuma atvilktnēs, sasalst.
<ul style="list-style-type: none"> • Ledusskapja temperatūra ir noregulēta ļoti zemei temperatūrai. Iestatiet augstāku ledusskapja temperatūru un pārbaudiet.
Ledusskapja vai saldēšanas kameras temperatūra ir ļoti augsta.
<ul style="list-style-type: none"> • Noregulēta ļoti augsta ledusskapja temperatūra. Ledusskapja temperatūra ietekmē saldēšanas kameras temperatūru. Mainiet ledusskapja vai saldētāja temperatūru, līdz saldētāja vai ledusskapja temperatūra sasniedz pietiekošu līmeni. • Durvis atstātas pusvīrus. Kārtīgi aizveriet durvis. • Nesen ledusskapī ievietots liels daudzums karsta ēdiena. Gaidiet, līdz ledusskapis vai saldētājs sasniedz vēlamo temperatūru. • Ledusskapis var būt nesen ieslēgts. Ledusskapja pilnīga atdzesēšana prasa laiku tā izmēra dēļ.
No ledusskapja atskan skaņas, kas līdzīgas mehāniskā pulksteņa tikšķēšanai.
<ul style="list-style-type: none"> • Šis troksnis nāk no ledusskapja elektromagnētiskā vārsta. Elektromagnētiskais vārsts nodrošina dzesēšanas šķidrums plūšanu cauri nodalījumam un var tikt noregulēts atbilstoši dzesēšanas vai saldēšanas temperatūrai un dzesēšanas funkciju veikšanai. Tas ir normāli un nav defekts.
Darbības troksnis palielinās, kad ledusskapis darbojas.
<ul style="list-style-type: none"> • Ledusskapja darbības veiktspējas raksturlielumi var mainīties atkarībā no ārējās temperatūras izmaiņām. Tas ir normāli un nav defekts.
Vibrācijas vai trokšņi.

<ul style="list-style-type: none"> • Grīda nav līdzena vai tā ir ļodzīga. Ledusskapis līgojas, ja tas tiek lēni pakustināts. Pārļiecinieties, ka grīda atrodas vienā līmenī, tā ir izturīga un spēj noturēt ledusskapja svaru. • Iespējams troksni rada uz ledusskapja noliktās lietas. Tādas lietas jānoņem no ledusskapja virsmas.
Atskan trokšņi, kas atgādina šķidrums izlīšanu vai izšļākšanos.
<ul style="list-style-type: none"> • Atbilstoši ledusskapja darbības principiem tajā plūst šķidrums un gāze. Tas ir normāli un nav defekts.
Atskan troksnis, kas atgādina vēja pūšanu.
<ul style="list-style-type: none"> • Tiek izmantoti gaisa aktivizētāji (ventilatori), lai ledusskapis tiktu efektīvāk atdzesēts. Tas ir normāli un nav defekts.
Kondensācija uz ledusskapja iekšējām sienām.
<ul style="list-style-type: none"> • Karsti un mitri laika apstākļi palielina ledus un kondensāta veidošanos. Tas ir normāli un nav defekts. • Durvis tiek turētas pusvīrus. Pārļiecinieties, ka durvis ir cieši aizvērtas. • Iespējams durvis tikušas ļoti bieži atvērtas vai turētas atvērtas ilgu laiku. Atveriet durvis retāk.
Ledusskapja ārpusē vai starp durvīm rodas mitrums.
<ul style="list-style-type: none"> • Iespējams ir mitri laika apstākļi. Tas ir normāli mitros laika apstākļos. Kad mitrums būs mazāks, kondensāts izzudīs.
Slikta smaka ledusskapī.
<ul style="list-style-type: none"> • Ledusskapja iekšpuse ir jāiztīra. Izīriet ledusskapja iekšpusi ar sūkli, siltu ūdeni vai gāzētu ūdeni. • Iespējams smaku izraisa daži konteineri vai iepakojuma materiāli. Izmantojiet citus konteinerus vai citas markas iepakojuma materiālu.
Durvis neizveras.
<ul style="list-style-type: none"> • Pārtikas iepakojums var neļaut durvīm aizvērties. Pārīietojiet pakas, kas traucē durvīm. • Iespējams ledusskapis neatrodas pilnīgi vertikāli uz grīdas un tas līgojas, kad tiek nedaudz pakustināts. Noregulējiet pacelšanas skrūves. • Grīda nav vienā līmenī vai pietiekami izturīga. Pārļiecinieties, ka grīda atrodas vienā līmenī un spēj noturēt ledusskapi.
Augļu nodalījuma atvilktnes ir iesprūdušas.
<ul style="list-style-type: none"> • Iespējams pārtika pieskaras atvilktnes griestiem. Pārīietojiet atvilktnē esošo pārtiku.

48 9336 0000-/AG
en-ru-lt-lv