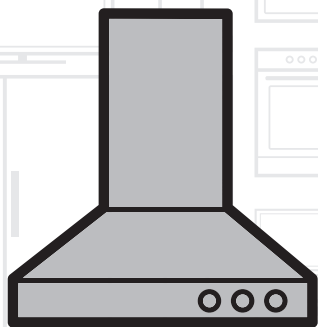


Hood

User Manual



HNU51311SH | HNU71311S
HNU51311S | HNU51312S

EN	DE	FR	PL	CS	SK
ET	LV	LT	RO	ES	PT
RU					

beko

CONTENTS

ENGLISH	04-15
DEUTSCH	16-33
FRANÇAIS	34-50
POLSKI	51-67
ČESKY	68-83
SLOVENSKÝ	84-98
EESTI	99-111
LATVISKI	112-124
LIETUVA	125-139
ROMÂNĂ	141-155
ESPAÑOL	156-169
PORTUGUÊS	170-184
RUSSIAN	185-202

01M-8808823200-2019
01M-8808833200-2019
01M-8808843200-2019
01M-8808853200-2019

Please read this user manual first!





Dear Valued Customer,

Thank you for preferring this Beko appliance. We hope that you get the best results from your appliance which has been manufactured with high quality and state-of-the-art technology. For this reason, please read this entire user manual and all other accompanying documents carefully before using the appliance and keep it as a reference for future use. If you handover the appliance to someone else, give the user manual as well. Follow the instructions by paying attention to all the information and warnings in the user manual.

Remember that this user manual may also apply to other models. Differences between models are explicitly described in the manual.

Meanings of the Symbols

Following symbols are used in various sections of this user manual:

	Important information and useful hints about usage.
	WARNING: Warnings against dangerous situations concerning the security of life and property.
	Warning for danger of fire.
	Warning for electric shock.



This appliance has been manufactured in environmentally friendly modern plants without giving any harm to the nature.

Complies with the WEEE regulation.



It does not contain PCB.

1 Important safety and environmental instructions

1.1 General safety

- This appliance can be used by children aged 8 and above and by persons who have sufficient physical, sensory or mental capacity and have adequate experience and knowledge, on the condition that they are supervised or informed about the safe use of the appliance and the risks involved.
- Children should not tamper with the appliance. Cleaning and user maintenance procedures should not be performed by children unless they are controlled by their elders.
- This appliance is intended for domestic use.
- The operational voltage of your product is 220-240 Volts~50 Hz.
- A grounded plug is connected to the power cable of your appliance. This cable should be inserted in a grounded socket.
- Electrical installation should be carried out by a qualified electrician.
- Installation performed by unauthorised individuals may cause operation with low performance, damage in the appliance and accidents.
- It should be prevented the feeder cable from jamming in a place or getting crashed during the installation. The supply cable should not be placed near the hob. In such cases, the cable may melt and cause fire.
- Do not plug in before the product is installed.
- Ensure that the plug is in a place where it can be easily accessed to cut off the power in case of any danger.
- Do not touch the lamps if they have operated for a long time. They can burn your hands since they will be hot.
- Kitchen extractor hoods are manufactured for normal cooking and domestic use. In case of using for other purposes, the product might break down and the warranty will be void.
- Follow the regulations set out by competent authorities on discharge of the exhaust air (this warning is not applicable for use without flue).
- Flammable food should not be cooked under the appliance.
- Operate your appliance after putting a pot, pan etc. on the hob. Otherwise, high heat may cause

1 Important safety and environmental instructions

deformation in some parts of your product.

- Turn off the hob before taking the pot, pan etc. from it.
- Do not left hot oil on the hob. Pans with hot oil may cause self-combustion.
- Pay attention to your curtains and covers since oil may catch fire while cooking food such as fries.
- Ensure that the filters are changed on time. There is the risk of fire due to the oil building up on the filters that have not been changed on time.
- Do not use non-fire-resistant filtering materials instead of the filter.
- Do not operate the product without the filter, do not remove the filters while the product is running.
- In case of fire, cut off the power of the hood and cooking appliances. (Unplug the appliance or turn off the main switch).
- There is a risk of fire if the periodical cleaning is not performed properly.
- Cut off the power of your appliance before maintenance works. (Unplug the appliance or turn off the main switch).
- The negative pressure in the environment should not exceed 4 Pa (4 x 10 bar) while the hood for electric hob and appliances running on another type of energy but electricity operate simultaneously.
- In the environment where the appliance is being used, the exhaust of devices running on fuel oil or gas, such as room heater must be absolutely isolated or device must be hermetical type.
- When connecting the flue, use pipes with a diameter of 120 or 150 mm. Pipe connection must be as short as possible and have as few elbows as possible.
- Children should not tamper with the appliance.
- For your safety, use a fuse of "MAX 6 A" in the hood assembly.
- Keep the packaging materials away from children since they may pose a danger to them.
- If the supply cable is damaged, it must be replaced by the manufacturer, its service agent or similarly skilled personnel to avoid any danger.
- In case of fire, cut the power of the hood and hob and cover the

1 Important safety and environmental instructions

flame. Never use water to put out the fire.

- When cooking appliances are running, their accessible parts may be hot.
- This product is not intended for use by persons (including children) with reduced physical, sensory or mental capabilities, or lack of experience and knowledge, unless they have been given supervision or instruction concerning the use of the product by a person responsible for their safety.
- When the installation of the hood for electric hobs is complete, there should be a minimum distance of 65 cm between the appliance and electric hobs.
- The hood outlet must not be connected to air channels that include other smoke.
- Care must be taken when the appliance is used with devices that use air and fuel (e.g. heaters; water heaters that are operated with gas, diesel fuel, coal, wood; or water heaters) in the same environment. This may adversely affect combustion since the hood discharges the air in the environment.
- This warning does not cover the use without flue.

- The ventilation in the room may be insufficient when the hood for electric hob is used simultaneously with the devices operating on gas or other fuels (this may not apply to appliances that only discharge the air back into the room).

1.1 Compliance with the WEEE Directive and Disposing of the Waste Product:

This product complies with EU WEEE Directive (2012/19/EU). This product bears a classification symbol for waste electrical and electronic equipment (WEEE).



This symbol indicates that this product shall not be disposed with other household wastes at the end of its service life. Used device must be returned to official collection point for recycling of electrical and electronic devices. To find these collection systems please contact to your local authorities or retailer where the product was purchased. Each household performs important role in recovering and recycling of old appliance. Appropriate disposal of used appliance helps prevent potential negative consequences for the environment and human health.

Compliance with RoHS Directive

The product you have purchased complies with EU RoHS Directive (2011/65/EU). It does not contain harmful and prohibited materials specified in the Directive.

1 Important safety and environmental instructions

1.2 Package information



Packaging materials of the product are manufactured from recyclable materials in accordance with our National Environment Regulations. Do not dispose of the packaging materials together with the domestic or other wastes. Take them to the packaging material collection points designated by the local authorities.

1.3 Vital Risk Poisoning Risk



Pic. 1: Poisoning Risk



Pic. 2: Poisoning Risk



DANGER! **Warning - Risk of Suffocation**

Package materials are risky for children. Do not allow children to tamper with the packing materials.

DANGER! **Warning - Danger of Death**



Vital risk, poisoning risk occurs due to the reabsorbed combustion gases. For use with an air outlet, do not use the appliance simultaneously with objects that expel poisonous gases, such as stoves with air circulation, which operates with gas, oil, wood or charcoal, bath stoves, water heaters, etc., unless sufficient air is supplied. Pic. 3

Objects with air circulation (e.g. stoves that are operated with gas, oil, wood or charcoal, bath stoves, water heaters) retrieves the air from the installation place and expel the waste gas by means of a waste gas system (e.g. flue). Air is absorbed by the appliance during operation from the kitchen and neighboring rooms. Vacuuming occurs if sufficient amount of air is not supplied. In this case, poisonous gases are absorbed backed from the flue and waste gas duct and return into the home. Pic. 1

For this reason, it should be ensured that the clean air is always supplied sufficiently. Pic. 2

1 Important safety and environmental instructions



WARNING! **Danger of fire!**

Oil sludge on the oil filter may catch fire. Clean the oil filter at least once every month. Do not operate the appliance without the oil filter. change the charcoal filter at least once every three months.

Oil sludge on the oil filter may catch fire. Never work with flame near the appliance (e.g. flambé) It is only allowed to install the appliance near a heating equipment that is heated via solid fuel (e.g. wood or coal) provided that a closed cover that is not removable is available. There should be no sparks caused.

Hot vegetable oils and fat catch fire easily. Attention should always be paid to hot vegetable oils and fats. Do not try to put out the fire with water.

Turn off the hob. Carefully cover the flame with a lid, fire blanket or a similar object.



Gas hobs that have no cooking utensils on them generate high heat during operation. A ventilation device placed on the hob may therefore get damaged or burn. Operate gas hobs only when there is a cooking utensil on them.

Operating more than one gas hob simultaneously causes high heat. A ventilation device placed on the hob may therefore get damaged or burn. Do not operate two gas hobs at a high flame setting for more than 15 minutes. A burner with over 5kW (Wok) power is equal to the burner with two gas levels.



WARNING! **Risk of electric shock!**

A faulty appliance may cause electric shock. Do not operate any faulty appliance. Unplug it or shut down the fuse from the fuse box. Call the customer service centre.

Repairs that do not comply with the instructions pose a threat. Repairs and change of faulty electric cables should only be performed by a customer services technician trained by our company. If the appliance is faulty, unplug it or shut down the fuse from the fuse box. Call the customer service centre.

Water leaking into the appliance may cause electric shock. High pressure or steam cleaners must not be used.

1 Important safety and environmental instructions



DANGER! **Risk of injury!**

There is a risk of injury during installation due to the sharp edges. Always use protective gloves during installation of the appliance.

All safety bolts and safety covers should be installed as stated in the user manual due to the risk of falling of the appliance.

The objects on the appliance may fall down. Do not put any objects on the appliance.

The LED light is too bright and may harm your eyes (hazard group 1). Do not directly look at the LED light for more than 100 seconds.



CAUTION

Accessible parts may get hot when used with the cooking equipment.



In case of repair procedures that have not been performed appropriately or according to the rules, please shut down the fuse or unplug the appliance. Repair works may only be carried out by the authorised service or authorised skilled personnel.

In case of repair procedures that have not been performed appropriately or according to the rules, please shut down the fuse or unplug the appliance. Repair works may only be carried out by the authorised service or authorised qualified personnel.



DANGER! **Risk of burning, risk of electric shock!**

Wait for the appliance to cool down before cleaning or maintenance works. Shut down the fuse or unplug the appliance.

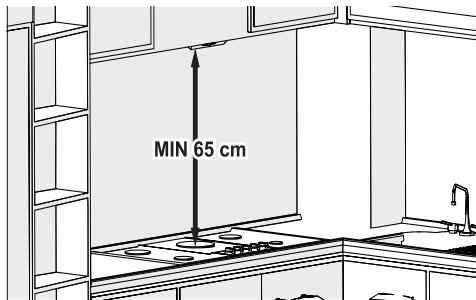
Risk of damage occurs due to the humidity intrusion into the electronics. Never clean the controllers with a wet cloth.

Surface may be damaged due to improper cleaning. Clean the stainless steel surfaces only in the direction of brushing. Do not use stainless steel cleaner for controllers.

The surface may be damaged due to abrasive or rubbing cleaning agents. Never use abrasive or rubbing cleaning agents.

3 Installation and Use of the Appliance

3.1 Position of the Appliance



- Attention should be paid to the distance between the hob and hood before installation. This distance should be 65 cm.
- The measure must be taken from the grill surface on gas hobs and from the glass surface on electric hobs.



Your new appliance is especially energy efficient. You will find here some advises on how to save more energy while using the appliance, and required to destroy the appliance in a proper way.

3.2 Things to do for energy saving;

- Ensure sufficient air intake to make the hood operate efficiently and with low operation noise during cooking.
- Set the fan level according to the density of steam in kitchen. Use the high level only when needed. A lower fan level means less energy consumption.
- If dense smoke is expected in the kitchen, select a higher level of fan in advance. It is required to operate the hood much longer to remove the smoke already spread all over kitchen.
- Turn off the hood when not in use.
- Clean or replace the filter at intervals stated,

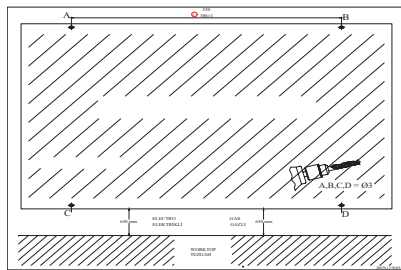
thus, the efficiency of the ventilation is increased and the risk of fire is eliminated.

3.3 Installation of the Appliance



CAUTION

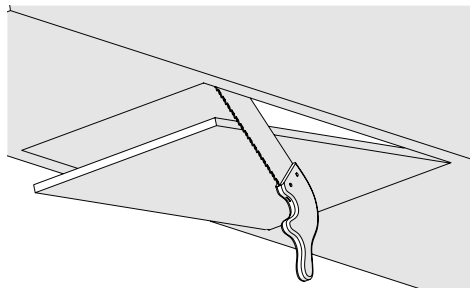
Use protective gloves and glasses while performing drilling and cutting operations.



Pic. 6

Drilling Mounting Holes

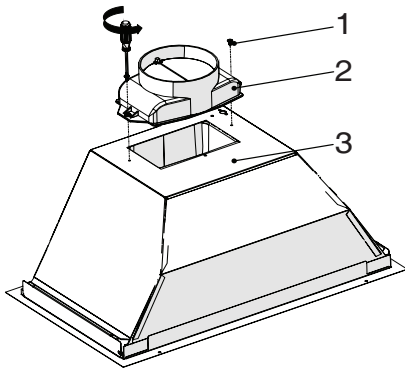
- Adhere the installation template provided with the appliance onto the surface on which the installation will be carried out.
- Drill the holes indicated on the installation draft with A, B, C, D using a $\varnothing 4$ mm drill bit. Pic. 6



Pic. 7

- Cut the lower surface of the cabinet where the hood will be installed in the dimensions specified in the technical drawing (Pic. 7).

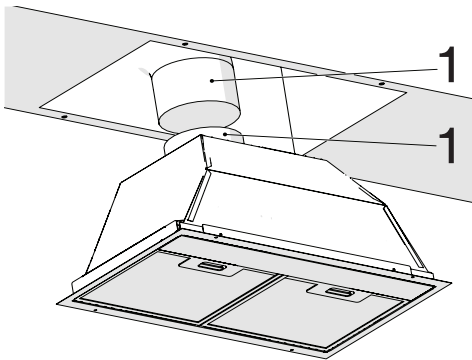
3 Installation and Use of the Appliance



Pic. 8

1. 3.5 x 9.5 Screw
2. Ø 120 mm Plastic Flue
3. BodyValve Pin Socket

- Attach the plastic flue contained in the package to the body of the appliance using 2 screws 3.5 x 9.5. (Pic. 8) Do not rub it against the surface. (Pic. 8)



Pic. 9

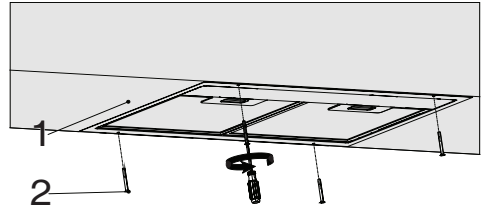
1. Air discharge pipe
2. Air exhaust flue of the hood

- Attach the air discharge pipe to the air exhaust flue and fasten via clamp (Pic. 9).



CAUTION

As the bends and elbows in the aluminum pipe will cause decrease in the air suction power, using these must be avoided as much as possible.



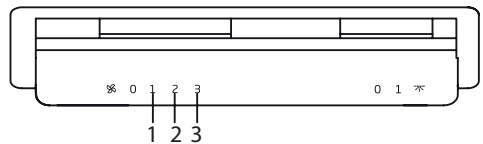
Pic. 10

1. Kitchen cabinet bottom view
2. 4 X 3,9 X 32 hood installation screw

- Place the hood into the kitchen cabinet and attach the hood to 4 installation holes drilled before (Pic. 10).

3.4 Use of the Appliance

3.4.1 Use of the Rocker Switch



- Bring the lamp switch to position '0' to turn off the lamp.
- Bring the lamp switch to position '1' to turn on the lamp.
- Bring the motor switch to position '0' to turn off the motor.
- You can operate the motor in the 1st speed level minimum and in the 3rd speed level maximum according to the density of cooking steam.

3 Installation and Use of the Appliance

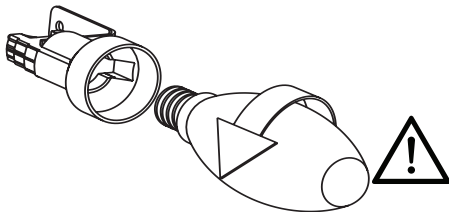
3.5 Lamp Replacement

3.5.1 Candle Bulb Replacement



WARNING

Cut the power supply of the hood. Lamps may burn your hands while hot, so wait for them to cool down.



Pic. 11: Candle Bulb Replacement

- Remove the aluminum cartridge filter. Remove the faulty lamp and replace it with the one having the same value. Pic. 11



NOTE:

If the appliance breaks down or gets damaged, shut down the fuse or unplug the appliance and call the authorised service agent.



NOTE:

If the supply cable is damaged, it must be replaced by the manufacturer, its service agent or similarly qualified personnel to avoid any danger.




NOTE:

Shut down the fuse or unplug the appliance in case of breakdown of the lamps of the appliance. Replace immediately the faulty lamps in order to prevent other lamps from being overloaded (wait for the lamps to cool down first).


4 Cleaning and Maintenance

CAUTION




Risk of damage due to the corrosion damage. Always operate the appliance while cooking in order to prevent condensate formation. Condensate may cause corrosion damage. Replace immediately the faulty lamps in order to prevent other lamps from being overloaded. The risk of damage occurs due to the humidity intrusion to the electronics. Never clean the controllers with a wet cloth. Surface may be damaged due to improper cleaning. Clean the stainless steel surfaces only in the direction of brushing. Do not use stainless steel cleaner for controllers. The surface may be damaged due to abrasive or rubbing cleaning agents. Never use abrasive or rubbing cleaning agents. There is the risk of damage due to backflow of condensate. Install the air outlet duct with a slope of 1°, slightly downwards the appliance.

CAUTION



You can use this appliance in waste air mode and in air circulation mode.

Waste air mode



Absorbed air is cleaned by oil filters and expelled by means of a piping system. (Pic. 3) If you want to transfer the waste air to a disabled smoke or waste gas flue, you have to obtain permission from an authorised flue cleaning specialist. If the waste air is expelled over the external wall, a telescopic wall frame should be used.



Absorbed air is cleaned by oil filters and an active carbon filter and retransferred to the kitchen. Pic. 4



NOTE!

The waste air should not be transferred to a smoke or waste gas flue, nor to a flue used for ventilation of the places where heating sources are installed.



To seal the materials causing odour in the circulating air mode, you should install an active carbon filter. Consult your authorised dealer to learn different opportunities for operating the appliance in the circulating air mode. You can buy accessories necessary for this procedure from relevant points of sale, authorised service agents or online sales centre.

The appliance you have purchased is suitable for use with carbon filter. To attach the carbon filter;

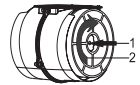
- 1- Place the carbon filter into its housing. Pic. 15/1
- 2- Turn the carbon filter clockwise to make sure that it is tightly inserted. Pic. 15/2



Res.13



Res.14



Res.15



If the carbon filter is not properly attached, it can fall and damage your product.



CAUTION

Never wash the carbon filters. Keep the carbon filters away from children.

4 Cleaning and Maintenance



CAUTION

Cleaning and user maintenance should not be performed by children without supervision.

- The surface may be damaged due to abrasive or rubbing cleaning agents. Never use abrasive and rubbing cleaning agents. Acquire the cleaning agents and protective materials suitable for your appliance from your authorised service. The surface of the appliance and the controllers are sensitive to scratching.
- Clean the surfaces with a soft and damp cloth, dishwashing liquid or a soft glass cleaning agent. Soften the dried and adhered dirt with a damp cloth. Do not scratch out!
- Dry cloths, sponges that may scratch, materials that require rubbing, sand and the other effective cleaning agents containing mineral water, acid or chloride are not suitable.
- Clean the stainless steel surfaces only in the direction of grinding.
- Do not use stainless steel cleaning agent or wet cloths for control units. Cleaning the metal oil filters Used metallic oil filters hold the humidity generated in the kitchen and the oily particles contained within the steam. In case of regular use (1 to 2 hours per day), clean the metal oil filters about once every 3 months.
- Do not use over-effective, acidified or corrosive cleaning agents.
- For the cleaning of the metal oil filters, use a damp cloth to clean holding parts of metal oil filters inside the appliance.
- You can clean the metal oil filters in the dishwasher or by hand.
- Do not apply spray cleaning agents directly on the appliance.
- Do not put flammable and/or heavy decorative items on the appliance.

4.1 Washing in the Dishwasher

- In case of washing in the dishwasher, slight discoloration may occur. This does not affect the function of the metal oil filter.
- Do not wash heavily soiled metal oil filters together with the dishes.

- Place the metal oil filters in the dishwasher loosely or freely. Metal oil filters should be placed in the dishwasher without being jammed.

4.2 Washing By Hand

- You can use a special oil dissolving agent for stubborn dirt. You can get this agent from the authorised sales center.
- Soften the metal oil filter in hot water containing dishwashing liquid.
- Use a brush for cleaning and wait for the liquid on the metal oil filter to be drained well. Rinse the filters well after cleaning.
- Technical specifications and this manual may be changed without prior notice.
- This appliance complies with the Regulation for Supervision of the Waste Electric and Electronic Equipment.
- This hood is designed to be used over the hob. Make sure that the wall can bear the weight of the hood. Cost of crushing, cutting and similar procedures to be carried out on the wall or cabinet during installation should be covered by the consumer. The hood may be used with a flue system that discharges the air, or without a flue (by attaching the carbon filter). Pay attention to the matters that may be encountered before or during the installation. Installation should be performed by the authorised service agent. Installation should be carried out by an authorised specialist who has knowledge of ventilation. Service life of the appliance identified by the Ministry of Industry (period of availability for the spare parts required for the performance of functions of the appliance) is 10 (ten) years.
- Your appliance must be kept in its original packaging to avoid damage to its components during handling and transportation.
- Keep the appliance in its normal position during handling.
- Do not drop the appliance and protect it against damage during transportation. Warranty does not cover the faults and damages occurred during transportation after delivery of the appliance to the customer.


Bitte lesen Sie zunächst diese Anleitung!

Sehr geehrte Kundin, sehr geehrter Kunde,
Vielen Dank, dass Sie sich für dieses Gerät der Marke Beko entschieden haben. Wir hoffen, dass Sie mit diesem Gerät, das mit den höchsten Qualitätsanforderungen und modernster Technologie hergestellt wurde, beste Ergebnisse erzielen. Bitte lesen Sie die gesamte Bedienungsanleitung und alle anderen Begleitdokumente aufmerksam, bevor Sie das Gerät verwenden; bewahren Sie sie zum künftigen Nachschlagen sicher auf. Wenn Sie das Gerät an jemanden weitergeben, händigen Sie ihm bitte auch diese Anleitung aus. Befolgen Sie die Anweisungen, indem Sie alle Informationen und Warnhinweise in der Bedienungsanleitung beachten.

Bitte denken Sie daran, dass diese Bedienungsanleitung eventuell für mehrere Modelle geschrieben wurde. Unterschiede zwischen den Modellen werden in der Anleitung klar und deutlich beschrieben.

Bedeutung der Symbole

Folgende Symbole werden in den verschiedenen Abschnitten dieser Anleitung verwendet:

	Wichtige Informationen und nützliche Tipps zur Verwendung.
--	--

	WARNUNG: Warnhinweise zu gefährlichen Situationen im Hinblick auf die Sicherheit von Leib, Leben und Eigentum.
--	---

	Warnung vor Brandgefahr.
---	--------------------------

	Warnung vor Stromschlägen.
--	----------------------------



Dieses Gerät wurde in umweltfreundlichen, modernen Einrichtungen ohne schädliche Auswirkungen auf die Natur hergestellt.

Das Gerät erfüllt die Vorgaben der WEEE-Richtlinie.



Es enthält kein PCB.

1 Wichtige Hinweise zu Sicherheit und Umwelt

1.1 Allgemeine Sicherheit

- Dieses Gerät darf von Kindern ab 8 Jahren sowie von Personen mit eingeschränkten körperlichen, sensorischen oder mentalen Fähigkeiten oder ohne spezielles Wissen oder Erfahrung verwendet werden, sofern sie beaufsichtigt werden oder ausreichend in den sicheren Umgang mit dem Produkt und die damit verbundenen Gefahren eingewiesen wurden.
- Kinder dürfen nicht mit dem Gerät hantieren. Reinigungs- und Wartungsarbeiten dürfen nicht von Kindern ausgeführt werden, sofern diese nicht durch einen Erwachsenen beaufsichtigt werden.
- Dieses Gerät ist für den privaten Gebrauch bestimmt.
- Die Betriebsspannung Ihres Gerätes beträgt 220 bis 240 Volt Wechselspannung, 50 Hz.
- Ein geerdeter Stecker ist an das Netzkabel des Gerätes angeschlossen. Dieser Stecker muss in eine geerdete Steckdose eingesteckt werden.
- Die elektrische Installation muss von einem qualifizierten Elektriker durchgeführt werden.
- Von unautorisierten Personen durchgeführte Installationen können einen Betrieb mit geringer Leistung, Geräteschäden und Unfälle zur Folge haben.
- Achten Sie darauf, dass das Netzkabel während der Installation nicht eingeklemmt oder beschädigt wird. Das Netzkabel darf sich nicht in der Nähe des Kochfeldes befinden. Andernfalls könnte das Kabel schmelzen und einen Brand verursachen.
- Nicht einstecken, bevor das Produkt installiert ist.
- Achten Sie darauf, dass sich der Netzstecker an einer leicht zugänglichen Stelle befindet, damit er im Notfall schnell herausgezogen werden kann.
- Berühren Sie die Lampen nicht, falls sie lange Zeit in Betrieb waren. Sie könnten sich die Finger verbrennen, da die Lampen heiß werden.
- Die Abzugshauben wurden zum normalen Kochen und für den privaten Hausgebrauch hergestellt. Falls Sie das Produkt für andere Zwecke nutzen, könnte es beschädigt werden und erlischt die Garantie.
- Befolgen Sie die von zuständigen Behörden festgelegten Richtlinien zum Abführen von Abluft (diese

1 Wichtige Hinweise zu Sicherheit und Umwelt

Warnung ist bei Einsatz ohne Abzug nicht zutreffend).

- Entflammbare Lebensmittel sollten unter dem Gerät nicht zubereitet werden.
- Nehmen Sie Ihr Gerät erst in Betrieb, wenn Sie ein Kochgeschirr auf das Kochfeld gestellt haben. Andernfalls könnte hohe Hitze zur Verformung einiger Teile Ihres Geräts führen.
- Schalten Sie die Kochfelder ab, bevor Sie das Kochgeschirr herunternehmen.
- Lassen Sie kein heißes Öl auf das Kochfeld gelangen. Kochgeschirr mit heißem Öl kann sich selbst entzünden.
- Achten Sie auf Vorhänge und Abdeckungen, da Öl beim Zubereiten von Lebensmitteln, wie Pommes frites, Feuer fangen kann.
- Achten Sie darauf, die Filter rechtzeitig zu wechseln. Wenn Filter nicht rechtzeitig gewechselt werden, besteht durch das an den Filtern angesammelte Öl Brandgefahr.
- Verwenden Sie kein nicht feuerbeständiges Filtermaterial anstelle der Filter.
- Verwenden Sie das Gerät nicht ohne Filter. Entfernen Sie die Filter nicht, während das Gerät läuft.
- Trennen Sie bei einem Feuer die Stromversorgung von Dunstabzugshaube und Kochgeräten. (Ziehen Sie den Netzstecker oder betätigen Sie den Hauptschalter.)
- Falls das Gerät nicht regelmäßig gereinigt wird, besteht Brandgefahr.
- Trennen Sie vor Wartungsarbeiten die Stromversorgung Ihres Gerätes. (Ziehen Sie den Netzstecker oder betätigen Sie den Hauptschalter.)
- Der Unterdruck der Umgebung darf 4 Pa (4 x 10 bar) nicht überschreiten, während die Dunstabzugshaube für das elektrische Kochfeld und Geräte mit einer anderen Energiequelle als Strom gleichzeitig laufen.
- Falls sich ein mit Heizöl oder Brenngasen betriebenes Gerät, z. B. Heizungen, in der Nähe der Dunstabzugshaube befindet, muss die Abluft dieses Gerätes vollständig isoliert sein oder es muss hermetisch sein.
- Verwenden Sie zum Anschluss des Abzugs Rohre mit einem Durchmesser von 120 oder 150 mm. Der

1 Wichtige Hinweise zu Sicherheit und Umwelt

Rohranschluss muss möglichst kurz sein und sollte möglichst wenige Biegungen aufweisen.

- Kinder dürfen nicht mit dem Gerät hantieren.
- Verwenden Sie zu Ihrer eigenen Sicherheit in der Installation der Dunstabzugshaube eine Sicherung von max. 6 A.
- Halten Sie Verpackungsmaterialien von Kindern fern, da diese eine Gefahr darstellen können.
- Falls das Netzkabel beschädigt ist, muss es zur Vermeidung von Gefahren vom Hersteller, seinem Kundencenter oder einer vergleichbar qualifizierten Personen ersetzt werden.
- Trennen Sie bei einem Feuer die Stromversorgung von Dunstabzugshaube und Kochfeld und ersticken Sie die Flammen. Löschen Sie ein Feuer niemals mit Wasser.
- Wenn Kochgeräte laufen, werden ihre zugänglichen Teile möglicherweise heiß.
- Dieses Gerät ist nicht zur Nutzung durch Personen (einschließlich Kindern) vorgesehen, die über reduzierte körperliche Eignung, Wahrnehmung oder geistige Fähigkeiten, Mangel an Erfahrung und Wissen verfügen, sofern diese Personen nicht von einer verantwortlichen Person beaufsichtigt werden oder in der Verwendung des Gerätes unterwiesen wurden.
- Der Abstand zwischen Dunstabzugshaube und elektrischen Kochfeldern sollte mindestens 65 cm betragen.
- Der Auslass der Dunstabzugshaube darf nicht an Luftkanäle angeschlossen werden, die auch andere Abluft abführen.
- Seien Sie vorsichtig, wenn das Produkt in derselben Umgebung wie andere mit Luft und Kraftstoff betriebene Geräte (z. B. Heizungen oder mit Gas, Diesel, Kohle oder Holz betriebene Warmwasserbereiter) verwendet wird. Deren Verbrennung könnte beeinträchtigt werden, da die Abzugshaube die Umgebungsluft absaugt.
- Diese Warnung gilt nicht für den Einsatz ohne Abzug.
- Die Belüftung im Raum reicht möglicherweise nicht aus, wenn die Abzugshaube für das elektrische Kochfeld gemeinsam mit Geräten, die mit Gas oder anderen Kraftstoffen laufen, betrieben

1 Wichtige Hinweise zu Sicherheit und Umwelt

wird (dies trifft möglicherweise nicht auf Geräte zu, die Luft zurück in den Raum abgeben).

1.1 Entsorgung von Altgeräten:

Dieses Produkt erfüllt die Vorgaben der EU-WEEE-Direktive (2012/19/EU). Das Produkt wurde mit einem Klassifizierungssymbol für elektrische und elektronische Altgeräte (WEEE) gekennzeichnet.



Dieses Symbol zeigt an, dass dieses Gerät am Ende seiner Einsatzzeit nicht mit anderem Hausmüll entsorgt werden darf. Altgeräte müssen an offizielle Sammelstellen zum Recycling elektrischer und elektronischer Geräte abgegeben werden. Nähere Angaben zu diesen Sammelstellen erhalten Sie von Ihrer Stadtverwaltung oder dem Händler, bei dem Sie das Gerät erworben haben. Der Beitrag jedes Haushalts zum Umweltschutz ist wichtig. Eine angemessene Entsorgung von Altgeräten hilft bei der Verhinderung negativer Auswirkungen auf Umwelt und menschliche Gesundheit.

Einhaltung von RoHS-Vorgaben:

Das von Ihnen erworbene Produkt erfüllt die Vorgaben der EU-RoHS Direktive (2011/65/EU). Es enthält keine in der Direktive angegebenen gefährlichen und unzulässigen Materialien.

1.2 Informationen zur Verpackung



Die Verpackung des Produkts wurde gemäß unserer nationalen Gesetzgebung aus recyclingfähigen Materialien hergestellt. Entsorgen Sie die Verpackungsmaterialien nicht mit dem

Hausmüll oder anderem Müll. Bringen Sie sie zu einer von der Stadtverwaltung bereitgestellten Sammelstelle für Verpackungsmaterial.

1.3 Lebensgefahr Vergiftungsgefahr



Abb. 1: Vergiftungsgefahr



Abb. 2: Vergiftungsgefahr



Gefahr! Warnung - Erstickengefahr

Verpackungsmaterialien sind für Kinder gefährlich. Lassen Sie Kinder nicht mit den Verpackungsmaterialien spielen.

1 Wichtige Hinweise zu Sicherheit und Umwelt



Gefahr! **Warnung - Lebensgefahr**

Lebensgefahr, Vergiftungsgefahr durch Einatmen von Verbrennungsgasen. Verwenden Sie das Gerät beim Einsatz mit einem Luftauslass nicht gemeinsam mit Gegenständen, die giftige Gase ausstoßen, wie z. B. Öfen mit Luftzirkulation, Badezimmeröfen, Warmwasserbereitern usw., die mit Gas, Öl, Holz oder Kohle betrieben werden, sofern keine angemessene Versorgung mit Frischluft gewährleistet ist. Abb. 3

Gegenstände mit Luftzirkulation (z. B. mit Gas, Öl, Holz oder Kohle betriebene Öfen, Badezimmeröfen, Warmwasserbereiter) verbrauchen die Luft am Installationsort und stoßen über ein Abgassystem (z. B. Abzug) Abgase aus. Während des Betriebs saugt das Gerät Luft aus der Küche und benachbarten Räumen ab. Ein Vakuum entsteht, wenn die Umgebung nicht mit genügend frischer Luft versorgt wird. In diesem Fall könnte giftiges Gas aus Abzug und Abgassystem zurück in den Raum und in die Wohnumgebung strömen. Abb. 1

Aus diesem Grund muss immer eine angemessene Versorgung mit sauberer Luft gewährleistet sein. Abb. 2



Warnung! **Brandgefahr!**

Ölschlamm am Ölfilter kann Feuer fangen. Reinigen Sie den Ölfilter mindestens einmal alle eine Monat. Betreiben Sie das Gerät nie ohne Ölfilter. Reinigen Sie den Kohlefilter mindestens einmal alle drei Monate.

Ölschlamm am Ölfilter kann Feuer fangen. Arbeiten Sie in der Nähe des Gerätes niemals mit offenen Flammen (z. B. zum Flambieren). Das Gerät darf nur dann in der Nähe eines mit Festbrennstoff (z. B. Holz oder Kohle) betriebenen Heizgerätes installiert werden, wenn dieses über eine geschlossene, nicht abnehmbare Abdeckung verfügt. Es dürfen keine Funken verursacht werden.

Heißes Pflanzenöl und Fett fangen leicht Feuer. Seien Sie bei heißen Pflanzenölen und Fetten immer vorsichtig. Versuchen Sie niemals, ein Fett- oder Ölfeuer mit Wasser zu löschen.

Schalten Sie zuerst das Kochfeld aus. Decken Sie die Flamme mit einem Deckel, einer Feuerlöschdecke oder einem ähnlichen Gegenstand ab.

1 Wichtige Hinweise zu Sicherheit und Umwelt



Gasherde, auf denen sich keine Kochutensilien befinden, erzeugen während des Betriebs große Hitze. Daher kann eine darüber installierte Abzugshaube beschädigt werden oder Feuer fangen. Betreiben Sie Gasherde nur, wenn sich ein Kochutensil darauf befindet.

Wenn gleichzeitig mehr als ein Gaskochfeld in Betrieb ist, entsteht große Hitze. Daher kann eine darüber installierte Abzugshaube beschädigt werden oder Feuer fangen. Lassen Sie zwei Gaskochfelder nicht länger als 15 Minuten bei hoher Flammenstufe arbeiten. Ein Brenner mit mehr als 5 kW Leistung (Wok) entspricht einem Brenner mit zwei Gasstufen.



Warnung! **Gefahr von** **Stromschlägen!**

Ein fehlerhaftes Gerät kann Stromschläge verursachen. Nehmen Sie ein fehlerhaftes Gerät nicht in Betrieb. Trennen Sie den Netzstecker oder deaktivieren Sie die Sicherung im Sicherungskasten. Wenden Sie sich an den Kundendienst.

Nicht mit den Anweisungen übereinstimmende Reparaturen bergen Gefahren. Ein defektes Netzkabel darf nur von einem Kundendienstmitarbeiter, der von unserem Unternehmen geschult wurde, repariert oder gewechselt werden. Trennen Sie den Netzstecker oder deaktivieren Sie die Sicherung im Sicherungskasten, falls das Gerät defekt ist. Wenden Sie sich an den Kundendienst.

Wenn Wasser in das Gerät gelangt, besteht Stromschlaggefahr. Hochdruck- oder Dampfreiniger dürfen nicht daran verwendet werden.

1 Wichtige Hinweise zu Sicherheit und Umwelt



Gefahr! Verletzungsgefahr!

Aufgrund scharfer Kanten besteht während der Installation Verletzungsgefahr. Tragen Sie während der Installation des Geräts immer Sicherheitshandschuhe.

Alle Sicherungsbolzen und Schutzabdeckungen müssen entsprechend den Anweisungen in der Bedienungsanleitung montiert werden, damit das Gerät nicht herunterfällt.

Geräte auf dem Gerät könnten herunterfallen. Stellen Sie keine Gegenstände auf dem Gerät ab.

Das LED-Licht ist sehr hell und könnte Ihren Augen schaden (Gefahrengruppe 1). Blicken Sie nicht länger als 100 Sekunden direkt in das LED-Licht.



Achtung

Zugängliche Teile können bei Verwendung mit Kochgeräten heiß werden.



Wurde eine Reparatur unsachgemäß oder vorschriftswidrig ausgeführt, schalten Sie die Gerätesicherung ab oder ziehen Sie den Gerätestecker heraus. Reparaturarbeiten dürfen nur von autorisiertem Servicepersonal durchgeführt werden.

Wurde eine Reparatur unsachgemäß oder vorschriftswidrig ausgeführt, schalten Sie die Gerätesicherung ab oder ziehen Sie den Gerätestecker heraus. Reparaturarbeiten dürfen nur von autorisiertem Servicepersonal durchgeführt werden.

1 Wichtige Hinweise zu Sicherheit und Umwelt



Gefahr! Verbrennungsgefahr, Stromschlaggefahr!

Warten Sie, bis sich das Gerät abgekühlt hat, bevor Sie Reinigungs- oder Wartungsarbeiten durchführen. Deaktivieren Sie vorher die Sicherung oder ziehen Sie den Netzstecker.

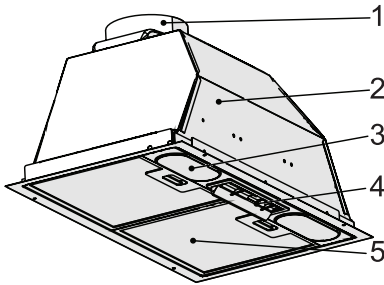
Wenn Feuchtigkeit in Elektronik eindringt, können Schäden auftreten. Reinigen Sie die Bedienelemente niemals mit einem nassen Tuch.

Die Oberflächen können aufgrund unsachgemäßer Reinigung beschädigt werden. Reinigen Sie Edelstahlflächen nur in Bürstrichtung. Verwenden Sie für die Bedienelemente keine Edelstahlreiniger.

Die Oberfläche könnte aufgrund scheuernder oder reibender Reinigungsmittel beschädigt werden. Verwenden Sie niemals scheuernde oder reibende Reinigungsmittel.

2 Aufbau

2.1 Übersicht



1. Abluftkanal
2. Gehäuse
3. Kochfeldbeleuchtung
4. Bedienfeld
5. Aluminium-Ölfiler

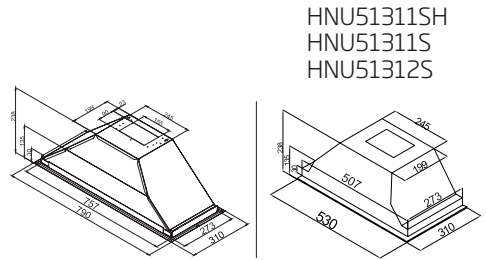
2.2 Technische Daten

CE Dieses Gerät erfüllt die europäischen CE-Richtlinien 2014/30/EU (Richtlinie über elektromagnetische Verträglichkeit) und 2014/35/EU (Niederspannungsrichtlinie).

Versorgungsspannung	220 - 240 V, 50 Hz.
Lampenleistung (W)	2 x 3 W
Motorleistung (W)	1 x 185 W
Motor-Isolationsklasse	F
Isolationsklasse	Klasse I

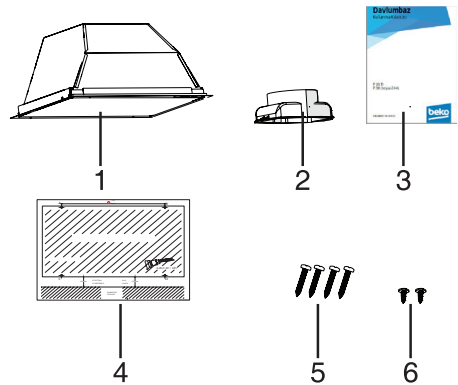
Technische und optische Änderungen vorbehalten. Die in den technischen Zeichnungen angegebenen Abmessungen sind in mm. Die Abbildung dient nur dazu, über die Teile des Gerätes zu informieren. Teile können je nach Gerätemodell variieren. Die Abbildungen dienen nur der Veranschaulichung.

2.3 Maßstabsgetreue technische Zeichnung



HNU71311S

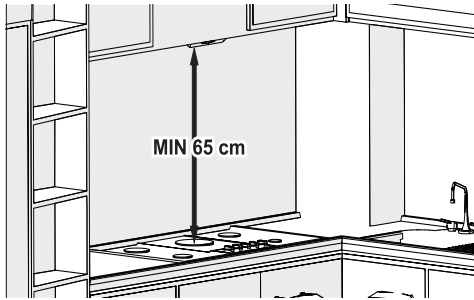
2.4 Lieferumfang



1. Dunstabzugshaube
2. Kunststoffabzug (Ø 120 mm)
3. Bedienungsanleitung
4. Installationsentwurf
5. Schrauben 4 X 3,9 X 32 (zur Installation der Abzugshaube)
6. Schrauben 3,5 x 9,5 (zur Installation des Kunststoffabzugs)

3 Installation und Verwendung des Geräts

3.1 Gerät positionieren



- Achten Sie vor der Installation auf den Abstand zwischen Kochfeld und Abzugshaube. Der Abstand sollte 65 cm betragen.
- Messen Sie dazu ab der Gitterfläche von Gaskochfeldern bzw. ab der Glasfläche von elektrischen Kochfeldern.



Ihr neues Gerät ist besonders energieeffizient. Hier finden Sie einige Hinweise, wie Sie bei Verwendung des Gerätes zusätzliche Energie sparen können. Außerdem erfahren Sie hier mehr über die sachgemäße Außerbetriebnahme des Gerätes.

3.2 Hinweise zum Energiesparen

- Gewährleisten Sie eine angemessene Luftzufuhr, damit die Abzugshaube effizient und möglichst leise arbeiten kann.
- Stellen Sie die Gebläsestufe entsprechend der Dichte der Küchenabgase ein. Verwenden Sie eine hohe Stufe nur im Bedarfsfall. Eine geringere Gebläsestufe bedeutet geringeren Stromverbrauch.
- Falls dichter Rauch in der Küche zu erwarten ist, sollten Sie vorab eine höhere Gebläsestufe einstellen. Zur Entfernung von weit in der Küche verteiltem Rauch muss die Abzugshaube deutlich länger arbeiten.

- Schalten Sie die Dunstabzugshaube aus, wenn nicht gekocht wird.
- Reinigen oder wechseln Sie den Filter in den angegebenen Intervallen. Dies erhöht die Belüftungseffizienz und eliminiert die Brandgefahr.

3.3 Montage des Geräts



Achtung

Tragen Sie beim Bohren und Schneiden immer Sicherheitshandschuhe und eine Schutzbrille.

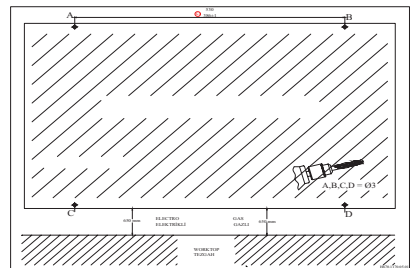


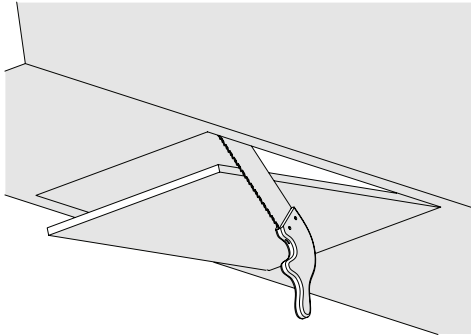
Abb. 6

Montagelöcher bohren

- Heften Sie die mitgelieferte Installationsschablone auf die Fläche, an der die Installation ausgeführt werden soll.
- Bohren Sie mit einem 4 mm-Bohrer Löcher in die mit A, B, C, und D an der Installationsschablone gekennzeichneten Stellen. Abb. 6

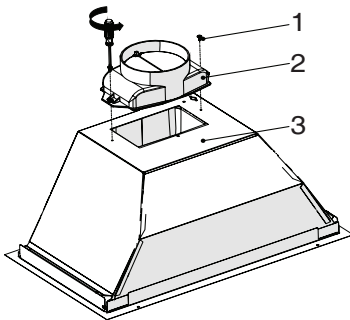
3 Installation und Verwendung des Geräts

Abb. 7



- Schneiden Sie die Bodenfläche des Schrankes aus, in der die Abzugshaube installiert werden soll. Beachten Sie die Abmessungen in der technischen Zeichnung (Abb. 7).

Abb. 8



1. Schrauben 3,5 x 9,5
 2. Kunststoffabzug (Ø 120 mm)
 3. Gehäuseventilnadelhalter
- Bringen Sie den mitgelieferten Kunststoffabzug mit 2 Schrauben (3,5 x 9,5) am Gehäuse des Geräts an. (Abb. 8) Reiben Sie nicht fest über seine Oberflächen. Abb. 8

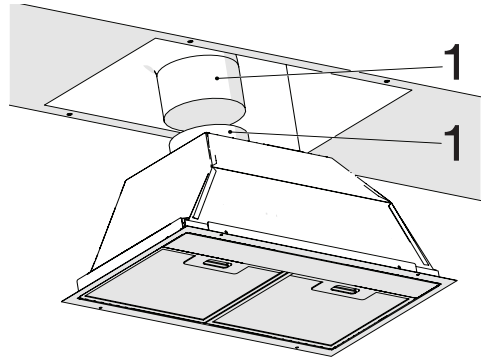


Abb. 9

1. Abluftrohr
 2. Abluftkanal der Abzugshaube
- Bringen Sie das Abluftrohr am Abluftkanal an und befestigen Sie es mit der Klemme (Abb. 9)

Achtung



Da Knicke und Biegungen im Aluminiumrohr die Luftsaugleistung verringern, sollten sie nach Möglichkeit vermieden werden.

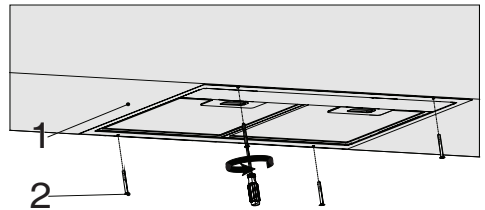


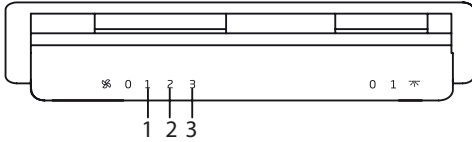
Abb. 10

1. Unteransicht Küchenschrank
 2. Schrauben zur Installation der Abzugshaube (4 X 3,9 X 32)
- Platzieren Sie die Abzugshaube im Küchenschrank und bringen Sie sie in den 4 vorgebohrten Installationslöchern (Abb. 10).

3 Installation und Verwendung des Geräts

3.4 Verwendung des Geräts

3.4.1 Nutzung des Kippschalters



- Bringen Sie den Lampenschalter zum Abschalten der Lampe in die Position „0“.
- Bringen Sie den Lampenschalter zum Einschalten der Lampe in die Position „1“.
- Bringen Sie den Motorschalter zum Abschalten des Motors in die Position „0“.
- Sie können den Motor je nach Dichte der Küchendämpfe bei minimaler bis maximaler Geschwindigkeitsstufe (3 Stufen) arbeiten lassen.

3.5 Auswechseln der Leuchtmittel

3.5.1 Kerzenlampe ersetzen



Warnung

Unterbrechen Sie vorher die Stromversorgung der Abzugshaube. Heiße Lampen können Verbrennungen verursachen. Lassen Sie sie daher erst abkühlen, bevor Sie sie berühren.

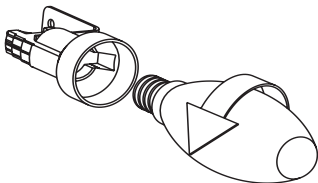


Abb. 11: Kerzenlampe ersetzen

- Entfernen Sie den Aluminium-Kerzenfilter. Entfernen Sie die defekte Lampe und setzen Sie eine Lampe mit den gleichen Werten ein. Abb. 11

Hinweis:

Deaktivieren Sie die Sicherung oder ziehen Sie den Netzstecker und wenden Sie sich an den Kundendienst, falls das Gerät beschädigt wird oder nicht richtig funktioniert.



Hinweis:

Falls das Netzkabel beschädigt ist, muss es zur Vermeidung von Gefahren vom Hersteller, seinem Kundencenter oder vergleichbar qualifizierten Personen ersetzt werden



Hinweis:

Deaktivieren Sie die Sicherung oder ziehen Sie den Netzstecker, falls Lampen des Gerätes ausfallen. Ersetzen Sie defekte Lampen immer sofort, damit andere Lampen nicht überlastet werden (warten Sie jedoch zunächst, bis sie sich abgekühlt haben).



3 Installation und Verwendung des Geräts



Achtung

Zugängliche Teile können bei Verwendung mit Kochgeräten heiß werden.



Wurde eine Reparatur unsachgemäß oder vorschriftswidrig ausgeführt, schalten Sie die Gerätesicherung ab oder ziehen Sie den Gerätestecker heraus. Reparaturarbeiten dürfen nur von autorisiertem Servicepersonal durchgeführt werden.

Wurde eine Reparatur unsachgemäß oder vorschriftswidrig ausgeführt, schalten Sie die Gerätesicherung ab oder ziehen Sie den Gerätestecker heraus. Reparaturarbeiten dürfen nur von autorisiertem Servicepersonal durchgeführt werden.

4 Reinigen und pflegen

Gefahr! **Verbrennungsgefahr,** **Stromschlaggefahr!**

Warten Sie, bis sich das Gerät abgekühlt hat, bevor Sie Reinigungs- oder Wartungsarbeiten durchführen. Deaktivieren Sie vorher die Sicherung oder ziehen Sie den Netzstecker.

Wenn Feuchtigkeit in Elektronik eindringt, können Schäden auftreten. Reinigen Sie die Bedienelemente niemals mit einem nassen Tuch.

Die Oberflächen können aufgrund unsachgemäßer Reinigung beschädigt werden. Reinigen Sie Edelstahlfächen nur in Bürstrichtung. Verwenden Sie für die Bedienelemente keine Edelstahlreiniger.

Die Oberfläche könnte aufgrund scheuernder oder reibender Reinigungsmittel beschädigt werden. Verwenden Sie niemals scheuernde oder reibende Reinigungsmittel.



Achtung

Gefahr von Schäden aufgrund von Korrosion. Nehmen Sie das Gerät beim Nutzen des Herds immer in Betrieb, damit sich kein Kondensat ansammelt. Kondensat kann Korrosionsschaden verursachen. Ersetzen Sie defekte Lampen immer sofort, damit andere Lampen nicht überlastet werden. Wenn Feuchtigkeit in Elektronik eindringt, können Schäden auftreten. Reinigen Sie die Bedienelemente niemals mit einem nassen Tuch. Die Oberflächen können aufgrund unsachgemäßer Reinigung beschädigt werden. Reinigen Sie Edelstahlfächen nur in Bürstrichtung. Verwenden Sie für die Bedienelemente keine Edelstahlreiniger. Die Oberfläche könnte aufgrund scheuernder oder reibender Reinigungsmittel beschädigt werden. Verwenden Sie niemals scheuernde oder reibende Reinigungsmittel. Wenn Kondensat zurückfließt, können Schäden auftreten. Installieren Sie den Luftaustrittskanal mit einem ab dem Gerät um 1° geneigten Gefälle.



Achtung

Sie können das Gerät im Abluft- oder Zirkulationsmodus betreiben.



4 Reinigen und pflegen

Abluftmodus

Die angesaugte Luft wird durch Ölfilter gereinigt und durch ein Abluftrohrsystem ausgestoßen. (Abb. 3) Falls Sie die Abluft in einen außer Betrieb genommenen Kamin oder Abluftkanal leiten möchten, müssen Sie eine Genehmigung von einem zugelassenen Schornsteinfeger einholen. Falls die Abluft über die Außenwand ausgestoßen wird, sollte ein Teleskopwandrahmen verwendet werden.



Die abgesaugte Luft wird durch Ölfilter und einen Aktivkohlefilter gereinigt und wieder in die Küche ausgestoßen. Abb. 4



Hinweis!

Die Abluft sollte weder in einen Kamin oder Abluftkanal noch zu einem zur Belüftung von Orten mit installierten Heizquellen verwendeten Abzug geleitet werden.



Installieren Sie einen Aktivkohlefilter, damit die Luft im Zirkulationsmodus von Gerüchen befreit wird. Erkundigen Sie sich bei Ihrem autorisierten Händler nach den verschiedenen Möglichkeiten, das Gerät im Zirkulationsmodus zu betreiben. Sie können das für dieses Verfahren benötigte Zubehör bei qualifizierten Verkaufsstellen, autorisierten Servicevertretern oder im Online-Handel erwerben.

Das von Ihnen erworbene Gerät eignet sich für den Einsatz mit einem Aktivkohlefilter. Aktivkohlefilter einsetzen:

1. Setzen Sie den Aktivkohlefilter in sein Gehäuse ein. Abb. 15/1

2. Drehen Sie den Kohlefilter zur Sicherung seines Sitzes im Uhrzeigersinn. Abb. 15/2



Res.13



Res.14



Res.15



Falls der Kohlefilter nicht richtig angebracht ist, könnte er herunterfallen und Ihr Gerät beschädigen.



Achtung

Versuchen Sie niemals, Kohlefilter zu reinigen. Halten Sie Kohlefilter immer von Kindern fern.



Achtung

Reinigung und Wartung dürfen nicht von Kindern durchgeführt werden, sofern sie nicht beaufsichtigt werden.

- Die Oberfläche könnte aufgrund scheuernder oder reibender Reinigungsmittel beschädigt werden. Verwenden Sie niemals scheuernde oder reibende Reinigungsmittel. Erwerben Sie für Ihr Gerät geeignete Reinigungsmittel und Schutzmaterialien beim autorisierten Kundendienst. Die Oberfläche von Gerät und Bedienelementen ist anfällig für Kratzer.
- Reinigen Sie Oberflächen mit einem weichen, feuchten Tuch mit etwas und Spülmittel oder einem milden Glasreiniger. Weichen Sie getrockneten, anhaftenden Schmutz mit einem feuchten Tuch auf. Kratzen Sie ihn nicht ab!
- Trockene Tücher oder Schwämme, die Kratzer verursachen können, reibende oder scheuernde Reinigungsmaterialien sowie Reinigungsmittel mit Säure oder Chlorid sind nicht geeignet.
- Reinigen Sie Edelstahlfächen nur in Bürstichtung.

4 Reinigen und pflegen

- Verzichten Sie an den Bedienelementen auf Edelstahlreiniger und feuchte Tücher. Metallölfilter reinigen – Die metallischen Ölfilter absorbieren die in der Küche erzeugte Feuchtigkeit und die Fettpartikel im Dampf. Reinigen Sie die metallischen Ölfilter bei regelmäßiger Benutzung (1 bis 2 Stunden pro Tag) einmal alle 3 Monate.
- Verwenden Sie keine übermäßig starken, säurehaltigen oder korrosiven Reinigungsmittel.
- Reinigen Sie die Befestigungsteile der metallischen Ölfilter im Gerät mit einem feuchten Tuch.
- Sie können die metallischen Ölfilter im Geschirrspüler oder von Hand spülen.
- Tragen Sie Sprühreiniger nicht direkt auf das Gerät auf.
- Stellen Sie keine entflammbaren und/oder schweren Gegenstände auf dem Gerät ab.

4.1 Reinigung im Geschirrspüler

- Beim Reinigen im Geschirrspüler kann es zu einer geringfügigen Verfärbung des Filters kommen. Dies wirkt sich nicht auf die Funktion der metallischen Ölfilter aus.
- Spülen Sie stark verschmutzte Ölfilter nicht gemeinsam mit Geschirr.
- Positionieren Sie metallische Ölfilter lose im Geschirrspüler. Metallische Ölfilter sollten so im Geschirrspüler platziert sein, dass sie nichts blockieren.

4.2 Von Hand spülen

- Verwenden Sie bei hartnäckigem Schmutz ein spezielles Mittel zum Auflösen von Öl. Sie erhalten ein solches Mittel bei autorisierten Verkaufsstellen.
- Lassen Sie metallische Ölfilter in mit etwas Spülmittel versetztem heißem Wasser einweichen.
- Verwenden Sie zur Reinigung eine Bürste und lassen Sie die Reinigungsflüssigkeit lang genug einwirken. Spülen Sie die Filter nach der Reinigung gründlich ab.
- Technische Daten sowie diese Anleitung können ohne Vorankündigung geändert werden.
- Dieses Gerät erfüllt die Richtlinie zur Überwachung elektrischer und elektronischer Altgeräte.

- Diese Abzugshaube ist zur Montage über einem Kochfeld ausgelegt. Achten Sie darauf, dass die Wand das Gewicht der Abzugshaube tragen kann. Kosten für Arbeiten, die während der Installation an der Wand oder am Schrank ausgeführt werden müssen, werden dem Kunden berechnet. Die Abzugshaube kann mit einem Abluftsystem verwendet werden, das die Luft ableitet. Sie funktioniert aber auch ohne Abzug (durch Anbringung eines Kohlefilters). Beachten Sie erforderliche Maßnahmen vor oder während der Installation. Die Installation sollte vom autorisierten Kundendienst durchgeführt werden. Die Installation sollte von einem autorisierten Experten mit Kenntnissen zum Thema Belüftung durchgeführt werden. Die vom Industrieministerium ausgewiesene Servicelebensdauer des Gerätes (Dauer der Verfügbarkeit von für die Funktionsfähigkeit des Gerätes erforderlichen Ersatzteilen) beträgt 10 (zehn) Jahre.
- Packen Sie Ihr Gerät beim Transportieren zum Schutz seiner Komponenten in seine Originalverpackung ein.
- Halten Sie das Gerät während des Transports in seiner normalen Position.
- Lassen Sie das Gerät nicht fallen. Schützen Sie es während des Transports vor Schäden. Die Garantie deckt keine Mängel oder Schäden ab, die während eines weiteren Transports nach Auslieferung des Gerätes an den Kunden auftreten.

Avant toute chose, veuillez lire ce manuel d'utilisation !

Chère cliente, cher client,

Merci d'avoir choisi cet appareil Beko. Nous espérons que cet appareil, fabriqué dans des installations modernes et soumis à un processus de contrôle qualité rigoureux, vous offre les meilleures performances possible. C'est pourquoi nous vous recommandons, avant d'utiliser l'appareil, de lire attentivement et complètement ce manuel d'utilisation ainsi que tous les autres documents fournis et de les conserver soigneusement pour utilisation future. Si vous cédez l'appareil à quelqu'un d'autre, remettez-lui également le manuel d'utilisation. Suivez les instructions en accordant une attention particulière à toutes les informations et les avertissements contenus dans le manuel d'utilisation.

Notez que ce manuel d'utilisation peut également s'appliquer à d'autres modèles. Les différences entre les modèles sont clairement décrites dans le manuel.

Signification des symboles

Les pictogrammes suivants sont repris tout au long de ce manuel :



Informations importantes et conseils utiles concernant l'utilisation de l'appareil.



AVERTISSEMENT : Avertissement sur les situations dangereuses concernant la sécurité des biens et des personnes.



Avertissement contre le risque d'incendie.



Avertissement contre le risque d'électrocution.



Cet appareil a été fabriqué dans des usines modernes respectueuses de l'environnement et sans causer des dommages à la nature.

1 Instructions importantes en matière de sécurité et d'environnement

1.1 Consignes générales de sécurité

- Cet appareil peut être utilisé par des enfants de 8 ans ou plus, par des personnes à capacités physiques, sensorielles ou mentales suffisantes ou par des personnes avec des capacités ou une expérience suffisantes s'ils sont sous supervision ou sont informés sur l'utilisation de l'appareil en toute sécurité et des risques induits.
- Les enfants ne doivent pas manipuler l'appareil. Les procédures de nettoyage et d'entretien par l'utilisateur ne doivent pas être exécutées par les enfants à moins qu'ils soient surveillés par des adultes.
- Le présent appareil a été conçu à des fins domestiques.
- La tension opérationnelle de votre produit est de 220-240 Volts~50Hz.
- Une fiche reliée à la terre est branchée au câble d'alimentation de votre appareil. Ce câble doit être inséré dans une prise reliée à la terre.
- L'installation électrique doit être effectuée par un électricien qualifié.
- L'installation effectuée par des personnes non autorisées peut provoquer de faibles performances de fonctionnement, des dommages à l'appareil et des accidents.
- Il faut éviter que le câble d'alimentation ne se coince quelque part ou ne soit écrasé pendant l'installation. Le câble d'alimentation ne doit pas être placé près de la table de cuisson. Sinon, le câble pourrait fondre et provoquer un incendie.
- Ne branchez pas l'appareil avant qu'il ne soit installé.
- Veillez à ce que la fiche se trouve dans un endroit facilement accessible pour couper l'alimentation électrique en cas de danger.
- Ne touchez pas les lampes si elles ont été utilisées pendant une longue période. Elles sont chaudes et risqueraient donc de provoquer des brûlures aux mains.
- Les hottes aspirantes de cuisine sont conçues pour la cuisson normale et l'usage domestique. En cas d'utilisation à d'autres fins, le produit risquerait de tomber en panne et la garantie sera annulée.
- Respecter la réglementation des autorités compétentes en matière

1 Instructions importantes en matière de sécurité et d'environnement

d'évacuation de l'air évacué (cette mise en garde ne s'applique pas à l'utilisation sans conduit).

- Les aliments inflammables ne doivent pas être cuits sous l'appareil.
- Faites fonctionner votre appareil après avoir posé une casserole, une poêle, etc. sur la plaque de cuisson. Autrement, la température élevée peut provoquer la déformation de certaines pièces de votre produit.
- Éteignez la plaque de cuisson avant d'en retirer la casserole, la poêle, etc.
- Ne laissez pas d'huile chaude sur la plaque de cuisson. Les casseroles contenant de l'huile chaude peuvent provoquer une auto-combustion.
- Faites attention à vos rideaux et à vos couvertures, car l'huile peut prendre feu pendant la cuisson de certains aliments, comme les frites.
- Assurez-vous que les filtres sont changés quand il le faut. Il existe un risque d'incendie dû à l'accumulation d'huile sur les filtres qui n'ont pas été changés quand il le fallait.
- N'utilisez pas de matériaux filtrants ignifuges à la place des filtres.
- N'utilisez jamais l'appareil sans le filtre, ne retirez pas les filtres lorsque l'appareil est en marche.
- En cas d'incendie, coupez l'alimentation de la hotte et des appareils de cuisson. (Débranchez l'appareil ou éteignez l'interrupteur principal).
- Il existe un risque d'incendie si le nettoyage périodique n'est pas effectué correctement.
- Coupez l'alimentation de votre appareil avant les travaux d'entretien. (Débranchez l'appareil ou éteignez l'interrupteur principal).
- La pression négative dans l'environnement ne doit pas dépasser 4 Pa (4 x 10 bars) lorsque la hotte de la table de cuisson électrique et les appareils fonctionnant avec un autre type d'énergie que l'électricité fonctionnent simultanément.
- Dans l'environnement dans lequel l'appareil est utilisé, les gaz résiduels des appareils fonctionnant au fioul ou au gaz, tels que le chauffage de la pièce, doivent être totalement isolés ou l'appareil doit être de type étanche.
- Pour le raccordement du conduit,

1 Instructions importantes en matière de sécurité et d'environnement

utilisez des tuyaux d'un diamètre de 120 ou 150 mm. Le raccordement du tuyau doit être aussi court que possible et avoir le minimum de coudes que possible.

- Les enfants ne doivent pas manipuler l'appareil.
- Pour votre sécurité, utilisez un fusible de « MAX 6 A » dans la hotte.
- Conservez les matériaux d'emballage hors de portée des enfants, car ils peuvent représenter un danger pour eux.
- Si le cordon d'alimentation est endommagé, il doit être remplacé par le fabricant, son réparateur agréé ou une personne compétente afin d'éviter tout risque.
- En cas d'incendie, coupez l'alimentation de la hotte et de la table de cuisson et étouffez la flamme. N'utilisez jamais d'eau pour éteindre le feu.
- Lorsque les appareils de cuisson sont en marche, certaines parties accessibles peuvent être chaudes.
- Ce produit n'a pas été prévu pour être utilisé par des personnes (notamment les enfants) dont les capacités physiques, sensorielles ou mentales sont réduites, ou n'ayant pas suffisamment d'expérience ou de connaissances, à moins qu'une personne chargée de leur sécurité ne les surveille ou ne leur apprenne à utiliser le produit.
- Lorsque l'installation de la hotte pour les plaques de cuisson électriques est terminée, il doit y avoir une distance minimale de 65 cm entre l'appareil et les plaques de cuisson électriques.
- Ne connectez pas la prise de la hotte aux canaux d'air qui contiennent d'autres fumées.
- Des précautions doivent être prises lorsque l'appareil est utilisé dans le même environnement que des dispositifs qui utilisent de l'air et du carburant (par exemple, des radiateurs, des chauffe-eau ouverts fonctionnant au gaz, au diesel, au charbon, au bois ; ou des chauffe-eau). Cela peut nuire à la combustion puisque la hotte évacue l'air dans l'environnement.
- Cet avertissement ne couvre pas l'utilisation sans conduit.
- La ventilation de la pièce peut être insuffisante lorsque la hotte de la table de cuisson électrique est utilisée en même temps que les appareils fonctionnant au gaz ou avec d'autres combustibles (ceci

1 Instructions importantes en matière de sécurité et d'environnement

peut ne pas s'appliquer aux appareils qui rejettent uniquement l'air dans la pièce).

1.1 Conformité avec la directive DEEE et mise au rebut des déchets :

Ce produit est conforme à la directive DEEE (2012/19/UE) de l'Union européenne). Ce produit porte un symbole de classification pour la mise au rebut des équipements électriques et électroniques (DEEE).



Ce symbole indique que ce produit ne doit pas être jeté avec les déchets ménagers à la fin de sa vie utile. Les appareils usagés doivent être retournés au point de collecte officiel destiné au recyclage des appareils électriques et électroniques. Pour trouver ces systèmes de collecte, veuillez contacter les autorités locales ou le détaillant auprès duquel vous avez acheté le produit. Chaque ménage joue un rôle important dans la récupération et le recyclage des appareils ménagers usagés. L'élimination appropriée des appareils usagés aide à prévenir les conséquences négatives potentielles pour l'environnement et la santé humaine.

Conformité avec la directive LdSD :

L'appareil que vous avez acheté est conforme à la directive LdSD (2011/65/UE) de l'Union européenne. Il ne comporte pas les matériaux dangereux et interdits mentionnés dans la directive.

1.2 Information sur l'emballage



L'emballage du produit est composé de matériaux recyclables, conformément à notre réglementation nationale. Ne jetez pas les éléments d'emballage avec les déchets domestiques et autres déchets. Déposez-les dans un des points de collecte d'éléments d'emballage que vous indiquera l'autorité locale dont vous dépendez.

1.3 Risque vital Risque d'empoisonnement



Fig. 1 : Risque d'empoisonnement



Fig. 2 : Risque d'empoisonnement



DANGER ! Avertissement - Risque d'étouffement

Les matériaux d'emballage sont dangereux pour les enfants. Ne laissez pas les enfants manipuler les matériaux d'emballage.

1 Instructions importantes en matière de sécurité et d'environnement



DANGER ! **Avertissements - Risque de mort !**

Risques vitaux et risques d'empoisonnement dus aux gaz de combustion réabsorbés. Pour une utilisation avec une sortie d'air, n'utilisez pas l'appareil en même temps que des objets qui expulsent des gaz toxiques, tels que des cuisinières à circulation d'air, qui fonctionnent au gaz, à l'huile, au bois ou au charbon de bois, des poêles de bain, des chauffe-eau, etc. à moins que l'air fourni soit suffisant. Pic. 3

Les objets à circulation d'air (p. ex. cuisinières fonctionnant au gaz, au fioul, au bois ou au charbon de bois, poêles de salle de bain, chauffe-eau) récupèrent l'air du lieu d'installation et évacuent les gaz résiduels à l'aide d'un système d'évacuation (p. ex. conduit). L'air de la cuisine et des pièces voisines est absorbé par l'appareil pendant son fonctionnement. L'aspiration se produit si la quantité d'air fournie n'est pas suffisante. Dans ce cas, les gaz toxiques contenus dans le conduit de cheminée et dans le conduit d'évacuation des gaz résiduels sont réabsorbés et réintroduits dans la maison. Pic. 1

C'est pourquoi il faut veiller à ce qu'une quantité suffisante d'air pur soit fournie en permanence. Pic. 2



AVERTISSEMENT ! **Danger d'incendie !**

Les boues huileuses sur le filtre à huile peuvent prendre feu. Nettoyez le filtre à huile au moins une fois tous les un mois. Ne faites jamais fonctionner l'appareil sans le filtre à huile. Nettoyez le filtre à charbon au moins une fois tous les trois mois.

Les boues huileuses sur le filtre à huile peuvent prendre feu. Assurez-vous qu'il n'y a jamais de flamme à proximité de l'appareil lorsque vous cuisinez (ex. flambé). Il n'est permis d'installer l'appareil à proximité d'un appareil de chauffage chauffé par un combustible solide (par ex. bois ou charbon) que s'il est équipé d'un couvercle fermé et non amovible. Il ne doit y avoir aucune source d'étincelles à proximité de l'appareil.

Les huiles végétales chaudes et les graisses s'enflamment facilement. Faites toujours très attention aux huiles et graisses végétales chaudes. N'essayez pas d'éteindre le feu avec de l'eau.

Éteignez la table de cuisson. Couvrez soigneusement la flamme avec un couvercle, une couverture anti-feu ou un objet similaire.

1 Instructions importantes en matière de sécurité et d'environnement



Les tables de cuisson à gaz en fonctionnement sans ustensiles de cuisson génèrent une chaleur élevée. Un appareil de ventilation placé sur la table de cuisson peut donc être endommagé ou brûlé. Ne faites fonctionner les tables de cuisson à gaz que lorsqu'un ustensile de cuisson est placé sur le feu. L'utilisation simultanée de plus d'une plaque de cuisson au gaz provoque une chaleur élevée. Un appareil de ventilation placé sur la table de cuisson peut donc être endommagé ou brûlé. Ne faites pas fonctionner simultanément deux tables de cuisson à gaz à un niveau de flamme élevé pendant plus de 15 minutes. Un brûleur d'une puissance supérieure à 5 kW (Wok) est égal au brûleur à deux niveaux de gaz.



AVERTISSEMENT !

Risque d'électrocution !

Un appareil défectueux peut provoquer une électrocution. Ne faites jamais fonctionner un appareil défectueux. Débranchez-le ou éteignez le fusible dans la boîte à fusibles. Appelez le centre de service à la clientèle.

Les réparations qui ne sont pas conformes aux instructions constituent un danger. Les réparations et le remplacement des câbles électriques défectueux ne doivent être effectués que par un technicien du service après-vente formé par notre société. Si l'appareil est endommagé, débranchez-le ou éteignez le fusible dans la boîte à fusibles. Appelez le centre de service à la clientèle.

Si de l'eau s'écoule dans l'appareil, cela peut provoquer une électrocution. Les nettoyeurs à haute pression ou à vapeur ne doivent pas être utilisés avec cet appareil.

1 Instructions importantes en matière de sécurité et d'environnement

DANGER ! Risque de blessure!

Les bords tranchants de l'appareil peuvent causer des blessures pendant l'installation. Utilisez toujours des gants de protection lors de l'installation de l'appareil.

Tous les boulons de sécurité et les couvercles de sécurité doivent être installés comme indiqué dans le manuel d'utilisation en raison du risque de chute de l'appareil.

Les objets posés sur l'appareil peuvent tomber. Ne posez aucun objet sur l'appareil.

Le voyant LED est très lumineux et peut endommager vos yeux (groupe de danger 1). Ne regardez pas directement la lumière LED pendant plus de 100 secondes.



En cas de réparation non conforme ou non conforme aux règles, éteignez le fusible ou débranchez l'appareil. Les travaux de réparation ne doivent être effectués que par le service après-vente agréé ou un personnel compétent autorisé.

En cas de réparation non conforme ou non conforme aux règles, éteignez le fusible ou débranchez l'appareil. Les travaux de réparation ne doivent être effectués que par le service après-vente agréé ou un personnel qualifié autorisé.



MISE EN GARDE

Les pièces accessibles peuvent devenir chaudes si elles sont utilisées avec l'équipement de cuisson.



1 Instructions importantes en matière de sécurité et d'environnement



DANGER ! Risque de brûlure et d'électrocution !

Attendez que l'appareil refroidisse avant de procéder au nettoyage ou à l'entretien. Éteignez le fusible ou débranchez l'appareil.

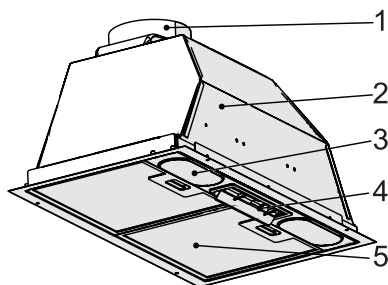
Risque de dommages dû à la pénétration d'humidité dans les éléments électroniques. Ne nettoyez jamais les éléments de contrôle avec un chiffon humide.

La surface peut être endommagée en raison d'un nettoyage incorrect. Nettoyez les surfaces en acier inoxydable uniquement dans le sens du brossage. N'utilisez pas de nettoyeurs en acier inoxydable sur les éléments de contrôle.

La surface peut être endommagée par des produits de nettoyage abrasifs ou corrosifs. N'utilisez jamais de produits de nettoyage abrasifs ou corrosifs.

2 Aspect général

2.1 Aperçu



1. Conduit d'évacuation d'air
2. Corps
3. Éclairage de la table de cuisson
4. Panneau de commande
5. Filtre à huile en aluminium

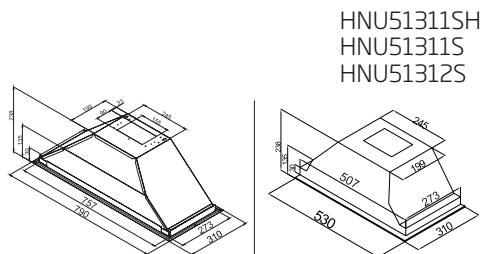
2.2 Caractéristiques techniques

CE Cet appareil est conforme aux directives européennes CE 2014/30/UE (Directive relative à la compatibilité électromagnétique) et 2014/35/UE (Directive Basse Tension).

Tension d'alimentation	220-240 V 50 Hz
Puissance de la lampe (W)	2x3 W
Puissance du moteur (W)	1x185 W
Classe d'isolation du moteur	F
Classe d'isolation	CLASSE I

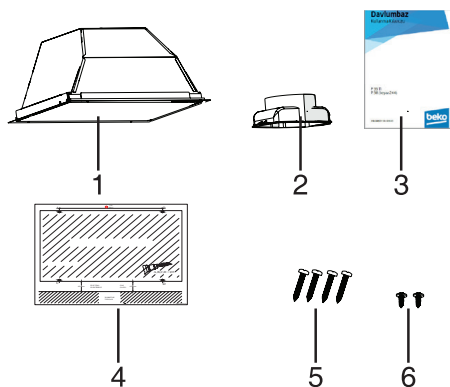
Droits de modifications techniques ou de conception réservés. Les dimensions présentées dans les dessins techniques sont en mm. Cette image n'est fournie qu'à titre d'information sur les pièces de l'appareil. Les pièces peuvent varier selon le modèle de l'appareil. Les photos sont fournies de façon représentative.

2.3 Dessin technique à l'échelle



HNU71311S

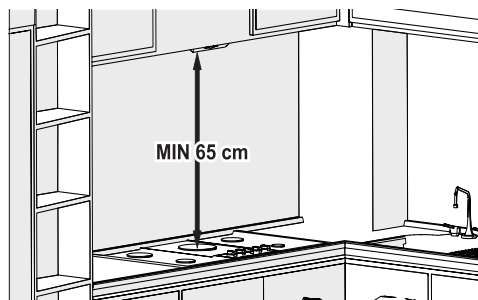
2.4 Contenu de l'emballage



1. Hotte
2. Conduit de cheminée en plastique de 120 mm de diamètre
3. Manuel d'utilisation
4. Modèle d'installation
5. Vis 4 X 3,9 X 32 (utilisées pour l'installation de la hotte)
6. Vis 3,5 x 9,5 (utilisées pour l'installation du conduit de cheminée en plastique)

3 Installation et utilisation de l'appareil

3.1 Position de l'appareil



- Faites attention à la distance entre la table de cuisson et la hotte avant l'installation. Cette distance doit être de 65 cm.
- La mesure doit être prise à partir de la surface du gril sur les plaques de cuisson à gaz et à partir de la surface en verre sur les plaques de cuisson électriques.



Votre nouvel appareil est particulièrement économe en énergie. Vous trouverez ici quelques conseils pour économiser plus d'énergie lors de l'utilisation de l'appareil et pour mettre l'appareil au rebut de manière appropriée.

3.2 Astuces pour économiser de l'énergie

- Veillez à ce que l'entrée d'air soit suffisante pour que la hotte fonctionne efficacement et avec un faible bruit de fonctionnement pendant la cuisson.
- Réglez le niveau d'aspiration en fonction de la densité de vapeur dans la cuisine. N'utilisez le niveau élevé qu'en cas de besoin. Un niveau d'aspiration plus bas signifie une consommation d'énergie moindre.
- Si vous savez qu'une fumée dense va se propager dans la cuisine, choisissez à l'avance un ni-

veau plus élevé d'aspiration. Il est nécessaire de faire fonctionner la hotte beaucoup plus longtemps pour éliminer la fumée déjà répandue dans toute la cuisine.

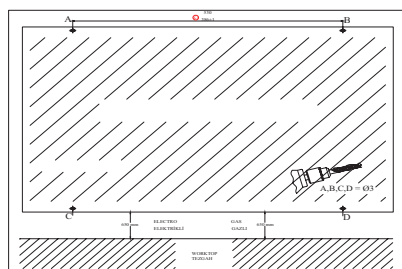
- Éteignez la hotte lorsque vous ne l'utilisez pas.
- Nettoyez ou remplacez le filtre à intervalles réguliers afin d'augmenter l'efficacité de la ventilation et d'éliminer le risque d'incendie.

3.3 Installation de l'appareil



MISE EN GARDE

Utilisez des gants et des lunettes de protection lors des opérations de perçage et de coupe.



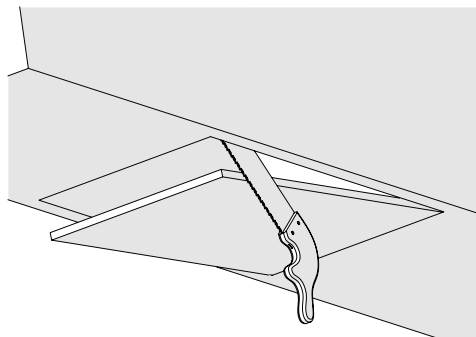
Pic. 6

Perçage des trous de montage

- Conformez-vous au modèle d'installation fourni avec l'appareil sur la surface sur laquelle l'installation sera effectuée.
- Percez les trous A, B, C, D indiqués sur le modèle d'installation à l'aide d'un foret de 4 mm de diamètre. Pic. 6

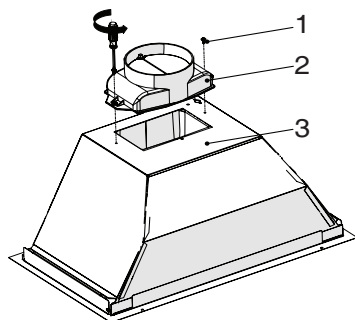
3 Installation et utilisation de l'appareil

Pic. 7

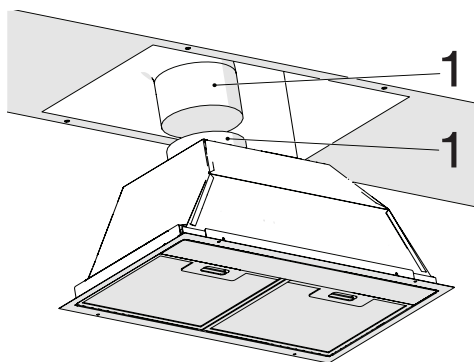


- Découpez la surface inférieure du meuble de cuisine dans lequel la hotte sera installée conformément aux dimensions spécifiées dans le dessin technique (Pic. 7).

Pic. 8



1. Vis 3,5 x 9,5
 2. Conduit de cheminée en plastique de 120 mm de diamètre
 3. Prise de goupille de BodyValve
- Fixez le conduit en plastique contenu dans l'emballage au corps de l'appareil à l'aide de 2 vis 3,5 x 9,5. (Pic. 8) Ne le frottez pas contre la surface. Pic. 8



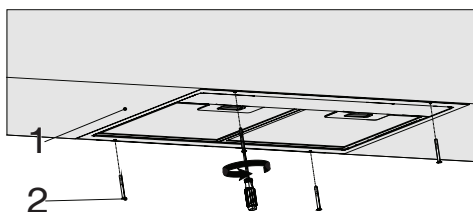
Pic. 9

1. Tuyau d'évacuation d'air
 2. Conduit d'évacuation d'air de la hotte
- Fixez le tuyau d'évacuation d'air au conduit d'évacuation d'air et serrez-le à l'aide d'un collier de serrage (fig. 9).

MISE EN GARDE



Les pliures et les coudes dans le tuyau d'aluminium entraînent une diminution de la puissance d'aspiration de l'air, évitez donc leur présence autant que possible.



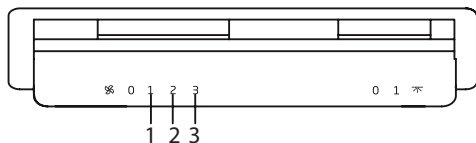
Pic. 10

1. Vue du bas du meuble de cuisine
 2. Vis d'installation de la hotte 4 X 3,9 X 32
- Placez la hotte dans le meuble de cuisine et fixez la hotte grâce aux 4 trous d'installation percés au préalable (fig. 10).

3 Installation et utilisation de l'appareil

3.4 Utilisation de l'appareil

3.4.1 Utilisation de l'interrupteur à bascule



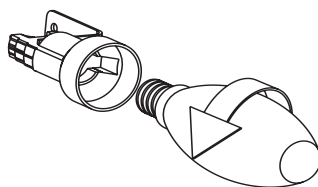
- Placez l'interrupteur de la lampe en position « 0 » pour éteindre la lampe.
- Placez l'interrupteur de la lampe en position « 1 » pour allumer la lampe.
- Placez l'interrupteur du moteur en position « 0 » pour éteindre le moteur.
- Vous pouvez faire fonctionner le moteur au minimum au 1^{er} niveau de vitesse et au maximum au 3^e niveau de vitesse en fonction de la densité de la vapeur de cuisson.

3.5 Remplacement de la lampe

3.5.1 Remplacement de l'ampoule

AVERTISSEMENT

Coupez l'alimentation électrique de la hotte. Les lampes peuvent provoquer des brûlures aux mains lorsqu'elles sont chaudes, attendez donc qu'elles refroidissent avant de les manipuler.



Pic. 11 : Remplacement d'une ampoule

- Retirez le filtre à cartouche en aluminium. Retirez la lampe défectueuse et remplacez-la par une lampe de même puissance. Pic. 11

3 Installation et utilisation de l'appareil



REMARQUE :

Si l'appareil tombe en panne ou est endommagé, éteignez le fusible ou débranchez l'appareil et appelez le service après-vente agréé.



REMARQUE :

Si le cordon d'alimentation est endommagé, il doit être remplacé par le fabricant, son réparateur agréé ou une personne qualifiée afin d'éviter tout risque.




REMARQUE :

Éteignez le fusible ou débranchez l'appareil en cas de panne des lampes de l'appareil. Remplacez immédiatement les lampes défectueuses afin d'éviter que les autres lampes ne soient trop sollicitées (attendez d'abord que les lampes refroidissent).

4 Nettoyage et entretien

MISE EN GARDE




Risque de dommages dû à la corrosion. Toujours faire fonctionner l'appareil pendant la cuisson afin d'éviter la formation de condensat. Le condensat peut causer des dommages liés à la corrosion. Remplacez immédiatement les lampes défectueuses afin d'éviter que les autres lampes ne soient trop sollicitées. Il existe un risque de dommages dû à la pénétration d'humidité dans les éléments électroniques. Ne nettoyez jamais les éléments de contrôle avec un chiffon humide. La surface peut être endommagée en raison d'un nettoyage incorrect. Nettoyez les surfaces en acier inoxydable uniquement dans le sens du brossage. N'utilisez pas de nettoyeurs en acier inoxydable sur les éléments de contrôle. La surface peut être endommagée par des produits de nettoyage abrasifs ou corrosifs. N'utilisez jamais de produits de nettoyage abrasifs ou corrosifs. Il existe un risque de dommages dus au refoulement du condensat. Installez le conduit de sortie d'air avec une pente de 1°, légèrement vers le bas de l'appareil.

MISE EN GARDE



Vous pouvez utiliser cet appareil en mode air vicié et en mode circulation d'air.

Mode air vicié




L'air absorbé est nettoyé par des filtres à huile et expulsé au moyen d'un système de conduits. (Pic. 3) Si vous souhaitez transférer l'air vicié dans un conduit de fumée ou de gaz résiduaire désactivé, vous devez obtenir l'autorisation d'un spécialiste agréé du nettoyage des conduits de cheminée. Si l'air vicié est expulsé par-dessus la paroi extérieure, un cadre mural télescopique doit être utilisé.



L'air absorbé est nettoyé par des filtres à huile et un filtre à charbon actif et retransféré dans la cuisine. Pic. 4

REMARQUE !



L'air évacué ne doit pas être transféré dans un conduit de fumée ou de gaz résiduaire ni dans un conduit utilisé pour la ventilation des endroits où des sources de chauffage sont installées.

4 Nettoyage et entretien



Pour étanchéifier les matériaux qui causent des odeurs dans le mode de circulation d'air, vous devez installer un filtre à charbon actif. Consultez votre revendeur agréé pour connaître les différentes possibilités de fonctionnement de l'appareil en mode circulation d'air. Vous pouvez acheter les accessoires nécessaires à cette procédure auprès des points de vente concernés, des agents de service agréés ou du centre de vente en ligne.

L'appareil que vous avez acheté peut être utilisé avec un filtre à charbon. Pour installer le filtre à charbon ;

1- Placez le filtre à charbon dans son emplacement. Pic. 15/1

2- Tournez le filtre à charbon dans le sens des aiguilles d'une montre pour vous assurer qu'il est bien placé. Pic. 15/2



Res.13



Res.14



Res.15



Si le filtre à charbon n'est pas correctement fixé, il peut tomber et endommager votre produit.



MISE EN GARDE

Ne lavez jamais les filtres à charbon. Conservez les filtres à charbon hors de la portée des enfants.



MISE EN GARDE

Assurez-vous que le nettoyage et l'entretien ne soient pas effectués par des enfants sans surveillance.

- La surface peut être endommagée par des produits de nettoyage abrasifs ou corrosifs. N'utilisez jamais de produits de nettoyage abrasifs ou corrosifs. Procurez-vous les produits de nettoyage et de protection adaptés à votre appareil auprès de votre service après-vente agréé. La surface de l'appareil et les contrôleurs sont sensibles aux rayures.
- Nettoyez les surfaces à l'aide d'un chiffon humide et doux, d'un liquide vaisselle ou d'un produit de nettoyage pour verre doux. Ramollir la saleté séchée et collée à l'aide d'un chiffon humide. Ne grattez pas !
- Les chiffons secs, les éponges qui peuvent causer des rayures, les matériaux qui nécessitent un frottement, le sable et autres agents nettoyants efficaces contenant de l'eau minérale, de l'acide ou du chlorure ne doivent pas être utilisés avec cet appareil.
- Nettoyez les surfaces en acier inoxydable uniquement dans le sens de l'affutage.
- N'utilisez pas d'agents nettoyants pour acier inoxydable et des chiffons humides pour les éléments de commande. Nettoyage des filtres à huile métalliques Les filtres à huile métalliques usagés retiennent l'humidité générée dans la cuisine et les particules huileuses contenues dans la vapeur. Dans le cadre d'une utilisation normale (1 à 2 heures par jour), nettoyez les filtres à huile métalliques environ une fois tous les 3 mois.
- N'utilisez pas de produits de nettoyage trop efficaces, acidifiés ou corrosifs.
- Pour le nettoyage des filtres à huile métalliques, utilisez un chiffon humide pour nettoyer les pièces des filtres à huile métalliques à l'intérieur de l'appareil.
- Vous pouvez nettoyer les filtres à huile métalliques dans le lave-vaisselle ou à la main.
- N'appliquez pas de produits nettoyants en aérosol directement sur l'appareil.
- Ne posez pas d'objets de décoration inflammables et/ou lourds sur l'appareil.

4 Nettoyage et entretien

4.1 Lavage au lave-vaisselle

- En cas de lavage au lave-vaisselle, une légère décoloration peut apparaître. Cela n'affecte pas le fonctionnement du filtre à huile métallique.
- Évitez de laver les filtres à huile métalliques très sales avec les plats.
- Placez les filtres à huile métalliques dans le lave-vaisselle sans les serrer. Placez les filtres à huile métalliques dans le lave-vaisselle sans les comprimer.

4.2 Lavage à la main

- Pour les saletés tenaces, vous pouvez utiliser un produit spécial qui dissout l'huile. Vous pouvez vous procurer cet agent auprès du centre de vente agréé.
- Ramollissez le filtre à huile métallique dans de l'eau chaude contenant du liquide vaisselle.
- Utilisez une brosse pour le nettoyage et attendez que le liquide du filtre à huile métallique soit bien drainé. Rincez correctement les filtres après le nettoyage.
- Les caractéristiques techniques et ce manuel peuvent être modifiés sans préavis.
- Cet appareil est conforme au Règlement sur la surveillance des déchets d'équipements électriques et électroniques.
- Cette hotte est conçue pour être utilisée au-dessus d'une table de cuisson. Assurez-vous que le mur peut supporter le poids de la hotte. Les frais d'abattement, de découpe et autres opérations similaires à effectuer sur le mur ou le meuble pendant l'installation doivent être pris en charge par le client. La hotte peut être utilisée avec un système de conduit de cheminée qui évacue l'air ou sans conduit (en ajoutant un filtre à charbon). Faites attention aux problèmes qui peuvent survenir avant ou pendant l'installation. L'installation doit être effectuée par un technicien agréé. L'installation doit être effectuée par un spécialiste agréé ayant des connaissances en ventilation. La durée de vie de l'appareil déterminée par le Ministère de l'Industrie (période de disponibilité des pièces

de rechange nécessaires à l'exécution des fonctions de l'appareil) est de 10 (dix) ans.

- Votre appareil doit être conservé dans son emballage d'origine afin d'éviter d'endommager ses composants pendant la manutention et le transport.
- Maintenez l'appareil dans sa position normale pendant la manipulation.
- Ne faites pas tomber l'appareil et ne le protégez pas contre les dommages pendant le transport. La garantie ne couvre pas les défauts et dommages survenus pendant le transport après la livraison de l'appareil au client.

Proszę najpierw przeczytać tę instrukcję obsługi!

Szanowny Kliencie,

dziękujemy za wybranie urządzenia marki Beko. Mamy nadzieję, że zakupione urządzenie, wyprodukowane z zapewnieniem wysokiej jakości przy użyciu najnowszych technologii, okaże się w pełni zadowalające. Z tego powodu przed użyciem urządzenia należy uważnie przeczytać całą instrukcję obsługi oraz towarzyszące jej dokumenty i zachować je do wglądu na przyszłość. Przekazując urządzenie innemu użytkownikowi, należy dołączyć również niniejszą instrukcję. Należy postępować zgodnie z instrukcjami, zwracając uwagę na wszystkie informacje i ostrzeżenia zamieszczone w niniejszym dokumencie.

Należy pamiętać, że niniejsza instrukcja może odnosić się także do innych modeli. Różnice pomiędzy modelami są wyraźnie opisane w instrukcji.

Znaczenie symboli

W różnych częściach niniejszej instrukcji obsługi stosowane są następujące symbole:



Ważne informacje i przydatne wskazówki dotyczące użytkowania.



OSTRZEŻENIE: Ostrzeżenia przed niebezpiecznymi sytuacjami zagrażającymi życiu i mieniu.



Niebezpieczeństwo pożaru.



Ostrzeżenie przed porażeniem prądem.



Urządzenie zostało wyprodukowane w przyjaznym środowisku, nowoczesnych zakładach bez negatywnego wpływu na природę.

Wyrób zgodny z Dyrektywą WEEE.



Nie zawiera polichlorowanych bifenyli (PCB).

1 Ważne instrukcje dotyczące bezpieczeństwa i ochrony środowiska

1.1 Ogólne zasady zachowania bezpieczeństwa

- Z wyrobu mogą korzystać dzieci w wieku powyżej 8 lat, a także osoby o odpowiedniej sprawności fizycznej, sensorycznej i umysłowej oraz dysponujące odpowiednimi doświadczeniem i wiedzą w zakresie obsługi urządzenia, pod warunkiem nadzoru lub przekazania im informacji na temat sposobu bezpiecznego użytkowania urządzenia oraz zagrożeń z tym związanych.
- Dzieci nie powinny manipulować przy tym urządzeniu. Dzieci nie powinny czyścić go ani konserwować, o ile nie są pod nadzorem osoby dorosłej.
- Urządzenie to przeznaczone jest do użytku domowego.
- Napięcie zasilania urządzenia wynosi 220–240 V ~50 Hz.
- Urządzenie jest wyposażone w przewód zasilający z wtyczką z uziemieniem. Przewód należy podłączać do gniazda z bolcem uziemiającym.
- Podłączenie elektryczne musi wykonać elektryk z odpowiednimi kwalifikacjami.
- Montaż przez osoby nieupoważnione grozi działaniem urządzenia z ograniczoną skutecznością, uszkodzeniem urządzenia i wypadkami.
- Nie wolno dopuszczać do zakleszczenia lub uszkodzenia przewodu zasilającego podczas montażu. Nie wolno umieszczać przewodu zasilającego w pobliżu płyty grzewczej. Grozi to stopieniem przewodu i pożarem.
- Nie podłączać wtyczki przewodu zasilającego do gniazda przed zamontowaniem produktu.
- Wtyczkę należy podłączać do gniazdka zlokalizowanego w miejscu łatwo dostępnym w sytuacji konieczności odłączenia spod napięcia w razie niebezpieczeństwa.
- Nie należy dotykać lamp, jeśli były włączone przez długi czas. Grozi to poparzeniem dłoni gorącą żarówką.
- Okapy kuchenne są przeznaczone do normalnego gotowania, do użytku domowego. Wykorzystywanie okapu do innych celów grozi jego uszkodzeniem i utratą gwarancji na produkt.
- Należy stosować się do wymagań dotyczących odprowadzania

1 Ważne instrukcje dotyczące bezpieczeństwa i ochrony środowiska

powietrza wywiewanego (to ostrzeżenie nie dotyczy sytuacji korzystania z okapu bez przewodu spalinowego).

- Pod okapem nie należy gotować przy użyciu otwartego płomienia.
- Okap należy uruchamiać po ustawieniu garnka, patelni itp. na płycie grzewczej. Niestosowanie się do tego zalecenia grozi zniekształceniami niektórych elementów znajdujących się wewnątrz urządzenia.
- Okap należy wyłączać przed zdjęciem garnka, patelni itp. z płyty grzewczej.
- Nie pozostawiać rozgrzanego oleju na płycie grzewczej. Garnki z gorącym olejem mogą zapalić się samoczynnie.
- Należy uważać na zasłony i inne elementy osłaniające okna, ponieważ olej może zapalić się samoczynnie podczas smażenia, np. frytek.
- Należy wymieniać filtry w odpowiednim czasie. Z upływem czasu na zbyt długo wykorzystywanych filtrach gromadzi się olej, który może się zapalić.
- Zabrania się stosowania materiałów filtracyjnych nieodpornych na ogień zamiast filtrów.
- Nie uruchamiać okapu bez zamontowanego filtra ani nie wyjmować filtrów z pracującego okapu.
- W razie pożaru należy wyłączyć okap oraz urządzenia kuchenne spod napięcia. (Wyjąć wtyczkę urządzenia z gniazda lub wyłączyć za pomocą przełącznika głównego).
- Zaniedbanie obowiązku okresowego czyszczenia okapu grozi pożarem.
- Przed rozpoczęciem konserwacji należy odłączyć urządzenie z zasilania. (Wyjąć wtyczkę urządzenia z gniazda lub wyłączyć za pomocą przełącznika głównego).
- Podciśnienie w otoczeniu nie może przekraczać 4 Pa (4×10 barów) przy równoczesnym działaniu okapu nad elektryczną płytą grzewczą i urządzeń AGD zasilanych elektrycznie prądem o innych parametrach.
- Jeśli w pomieszczeniu, w którym działa okap, są wykorzystywane urządzenia zasilane olejem opałowym lub gazem, jak np. ogrzewacze pomieszczeń, to wylot spalin z takich urządzeń musi być całkowicie odizolowany lub takie urządzenia muszą być hermetyczne.

1

Ważne instrukcje dotyczące bezpieczeństwa i ochrony środowiska

- Jako przewody spalinowe należy stosować rury o średnicy 120 lub 150 mm. Rura łącząca musi być możliwie jak najkrótsza i mieć jak najmniej kolanek.
- Dzieci nie powinny manipulować przy tym urządzeniu.
- Z przyczyn bezpieczeństwa w okapie należy montować bezpiecznik „MAX 6 A”.
- Materiały opakowaniowe okapu należy trzymać z dala od dzieci, ponieważ są dla nich potencjalnie niebezpieczne.
- W razie uszkodzenia kabla zasilającego należy go wymienić u producenta, korzystając z usług serwisanta lub osoby o analogicznych kwalifikacjach, aby uniknąć niebezpieczeństwa.
- W razie pożaru należy wyłączyć okap i płytę grzewczą spod napięcia oraz zgasić ogień poprzez odcięcie dopływu tlenu. Nie wolno stosować wody do gaszenia pożaru.
- Części urządzeń do gotowania dostępne dla użytkownika mogą być gorące podczas użytkowania.
- Produkt nie jest przeznaczony do użytku przez osoby (w tym dzieci) o ograniczonej sprawności fizycznej, sensorycznej lub psychicznej bądź niemające doświadczenia i umiejętności, chyba że są nadzorowane lub zostały poinstruowane na temat obsługi tego produktu przez osobę odpowiedzialną za ich bezpieczeństwo.
- Po zainstalowaniu okapu nad elektryczną płytą grzewczą odległość pomiędzy okapem a polami grzejnymi musi wynosić min. 65 cm.
- Wylotu okapu nie wolno przyłączać do kanałów powietrznych, które odprowadzają jakiś inny dym.
- Trzeba zachować ostrożność, gdy okapu używa się wraz z urządzeniami, w których wykorzystuje się powietrze i paliwo (np. grzejniki, podgrzewacze wody, które działają na gaz, olej napędowy, węgiel lub drewno) w jednym pomieszczeniu. Taka sytuacja może wpływać negatywnie na proces spalania, ponieważ powietrze z okapu jest odprowadzane do otoczenia.
- Ostrzeżenie nie dotyczy sytuacji korzystania z okapu bez przewodu spalinowego.
- Wentylacja w pomieszczeniu może być niewystarczająca w przypadku równoczesnego korzystania z okapu nad elektryczną płytą grzewczą oraz urządzeń za-

1 Ważne instrukcje dotyczące bezpieczeństwa i ochrony środowiska

silanych gazem lub innymi paliwami (niniejsze ostrzeżenie może nie dotyczyć urządzeń, które odprowadzają powietrze z powrotem do pomieszczenia).

1.1 Zgodność z dyrektywą WEEE i usuwanie odpadów:

Niniejszy wyrób jest zgodny z dyrektywą Parlamentu Europejskiego i Rady (2012/19/WE). Wyrób ten oznaczony jest symbolem klasyfikacji zużytych urządzeń elektrycznych i elektronicznych (WEEE).



Ten symbol oznacza, że sprzęt nie może być umieszczany łącznie z innymi odpadami gospodarstwa domowego po okresie jego użytkowania. Zużyte urządzenie należy oddać do specjalnego punktu zbiórki zużytego sprzętu elektrycznego i elektronicznego w celu utylizacji. Aby uzyskać informacje o punktach zbiórki w swojej okolicy należy skontaktować się z lokalnymi władzami lub punktem sprzedaży tego produktu. Gospodarstwo domowe spełnia ważną rolę w przyczynianiu się do ponownego użycia i odzysku zużytego sprzętu. Odpowiednie postępowanie ze zużytym sprzętem zapobiega potencjalnym negatywnym konsekwencjom dla środowiska naturalnego i ludzkiego zdrowia.

Zgodność z dyrektywą RoHS:

Niniejszy wyrób jest zgodny z dyrektywą Parlamentu Europejskiego i Rady RoHS (Ograniczenie użycia substancji niebezpiecznych) (2011/65/WE). Nie zawiera szkodliwych i zakazanych materiałów, podanych w tej dyrektywie.

1.2 Informacje o opakowaniu



Opakowanie tego wyrobu wykonano z materiałów nadających się do recyklingu, zgodnie z naszym ustawodawstwem krajowym. Nie wyrzucaj materiałów opakowaniowych do śmieci wraz z innymi odpadkami domowymi. Oddaj je w jednym z wyznaczonych przez władze lokalne punktów zbiórki materiałów opakowaniowych.

1.3 Najważniejsze zagrożenia Ryzyko zatrucia



Rys. 1: Ryzyko zatrucia



Rys. 2: Ryzyko zatrucia



NIEBEZPIECZEŃSTWO! **Ostrzeżenie - ryzyko** **uduszenia**

Materiały opakowaniowe stanowią zagrożenie dla dzieci. Nie wolno pozwalać dzieciom bawić się materiałami opakowaniowymi.

Ważne instrukcje dotyczące bezpieczeństwa i ochrony środowiska

NIEBEZPIECZEŃSTWO!

Ostrzeżenie - niebezpieczeństwo śmierci

Groźne dla życia ryzyko zatrucia występuje z powodu cofania się gazów spalinowych. Aby używać urządzenia z wylotem powietrza, nie należy korzystać równocześnie z urządzeń wytwarzających trujące gazy, jak kuchenki z obiegiem powietrza na gaz, olej, drewno lub węgiel, piecyki, podgrzewacze wody itp., o ile nie ma zapewnionej wystarczającej ilości powietrza. Rys. 3



Urządzenia z obiegiem powietrza (np. kuchenki na gaz, olej, drewno lub węgiel, piecyki, podgrzewacze wody) pobierają gorące powietrze z miejsca instalacji i odprowadzają spaliny poprzez system odprowadzania spalin (np. przewody kominowe). Powietrze jest pobierane przez urządzenie z kuchni i sąsiednich pomieszczeń. W przypadku niewystarczającej ilości powietrza pojawia się próżnia. W takiej sytuacji trujące gazy są pobierane z przewodu kominowego i przewodu spalinowego i cofają się do mieszkania. Rys. 1

Z tego powodu należy zawsze dbać o zapewnienie wystarczającej ilości świeżego powietrza. Rys. 2

OSTRZEŻENIE! Niebezpieczeństwo pożaru!

Osad z oleju na filtrze grozi pożarem. Filtr oleju należy czyścić co najmniej raz w miesiącu. Nie używać urządzenia bez zamontowanego filtra oleju. Filtr węglowy należy czyścić co najmniej raz na kwartał

Osad z oleju obecny na filtrze grozi pożarem. W pobliżu urządzenia nie wolno gotować przy użyciu otwartego płomienia, np. stosować flambirowania. Opisywany produkt można montować w pobliżu urządzeń grzewczych na paliwo stałe, np. drewno lub węgiel, pod warunkiem że są one wyposażone w zamykaną osłonę zamontowaną na stałe. Powstawanie iskier jest niedopuszczalne.

Gorące oleje roślinne i tłuszcze zwierzęce są łatwopalne. Dlatego należy zawsze zachować ostrożność w obecności gorących olejów roślinnych i tłuszczów zwierzęcych. Nie wolno gasić ognia wodą.

Wyłączyć płytę grzewczą. Przykryć płomień pokrywką, kocem gaśniczym lub podobnym przedmiotem.



1

Ważne instrukcje dotyczące bezpieczeństwa i ochrony środowiska



Płyty grzewcze podczas pracy bez garnków wytwarzają dużo ciepła. Dlatego urządzenie wentylacyjne postawione na płycie grzewczej może ulec uszkodzeniu lub spłonąć. Gazowe płyty grzewcze należy włączać tylko, gdy stoją na nich garnki.

Uruchomienie wielu gazowych pól grzewczych równocześnie powoduje wytwarzanie dużej ilości ciepła. Dlatego urządzenie wentylacyjne postawione na płycie grzewczej może ulec uszkodzeniu lub spłonąć. Nie należy korzystać z dwóch gazowych płyt grzewczych ustawionych na dużą mocą przez ponad 15 minut. Palnik o mocy powyżej 5 kW (Wok) dysponuje mocą równą palnikowi o dwóch poziomach mocy gazu.



OSTRZEŻENIE! **Ryzyko porażenia prądem!**

Uszkodzone urządzenie grozi porażeniem prądem. Nie wolno korzystać z uszkodzonego urządzenia. Należy odłączyć przewód zasilający urządzenia lub wyłączyć bezpiecznik w skrzynce bezpiecznikowej. Zadzwoń do działu obsługi klienta.

Naprawy wykonywane w sposób niezgodny z instrukcjami stanowią niebezpieczeństwo. Naprawy i wymianę uszkodzonych przewodów elektrycznych można zlecać wyłącznie serwisantom przeszkolonym przez producenta. Po stwierdzeniu awarii należy odłączyć przewód zasilający urządzenia lub wyłączyć bezpiecznik w skrzynce bezpiecznikowej. Zadzwoń do działu obsługi klienta.

Przeciekanie wody do wnętrza urządzenia grozi porażeniem prądem. Stosowanie myjek ciśnieniowych lub parowych urządzeń czyszczących jest zabronione.

Ważne instrukcje dotyczące bezpieczeństwa i ochrony środowiska

NIEBEZPIECZEŃSTWO!

Ryzyko odniesienia obrażeń!

Istnieje ryzyko odniesienia obrażeń podczas montażu ze względu na ostre krawędzie. Podczas montażu urządzenia należy zawsze stosować rękawice ochronne.

Wszystkie śruby i osłony zabezpieczające należy montować w sposób podany w instrukcji obsługi, ponieważ chronią przed upadkiem urządzenia.

Przedmioty umieszczone na urządzeniu mogą spaść. Nie należy umieszczać żadnych przedmiotów na urządzeniu.

Dioda LED świeci bardzo jasnym światłem i może powodować uszkodzenie oczu (grupa zagrożeń 1). Nie patrzeć bezpośrednio na świecąca diodę LED dłużej niż przez 100 s.



PRZESTROGA



Jeśli okap znajduje się nad urządzeniami kuchennymi, jego wystające części mogą się nagrzewać.



W przypadku napraw wykonanych nieprawidłowo lub niezgodnie z przepisami należy wyłączyć bezpiecznik lub odłączyć przewód zasilający urządzenia. Naprawy mogą wykonywać wyłącznie autoryzowani serwisanci lub upoważniony personel o odpowiednich umiejętnościach.

W przypadku napraw wykonanych nieprawidłowo lub niezgodnie z przepisami należy wyłączyć bezpiecznik lub odłączyć przewód zasilający urządzenia. Naprawy mogą wykonywać wyłącznie autoryzowani serwisanci lub upoważniony, wykwalifikowany personel.

NIEBEZPIECZEŃSTWO! **Ryzyko oparzenia,** **ryzyko porażenia prądem** **elektrycznym!**

Przed czyszczeniem lub pracami konserwacyjnymi poczekać, aż urządzenie całkiem ostygnie. Wyłączyć bezpiecznik lub wyjąć z gniazdka wtyczkę przewodu zasilającego urządzenia.

Ryzyko uszkodzenia występuje z powodu przedostania się wilgoci do układów elektronicznych. Nie wolno czyścić elementów sterujących mokrą ściereczką.

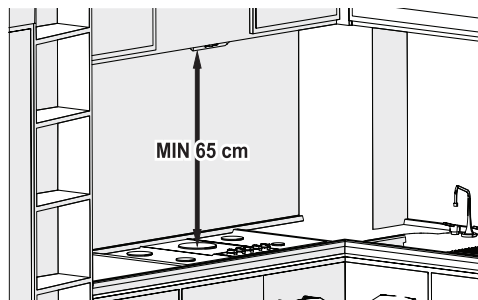
Nieprawidłowe czyszczenie może spowodować uszkodzenie powierzchni. Powierzchnie ze stali nierdzewnej należy czyścić wyłącznie w kierunku szczotkowania. Nie używać środka do stali nierdzewnej do czyszczenia elementów sterujących.

Czyszczenie żrącymi lub ściernymi środkami czyszczącymi grozi uszkodzeniem powierzchni. Nigdy nie używać ściernych ani żrących środków czyszczących.



3 Montaż i korzystanie z urządzenia

3.1 Pozycja urządzenia



- Należy pamiętać o zachowaniu odpowiedniej odległości pomiędzy płytą grzejącą a okapem. Zalecana odległość to 65 cm.
- Odległość należy mierzyć od rusztu w przypadku płyt gazowych lub od powierzchni szkła w przypadku płyt elektrycznych.



Nowe urządzenie cechuje się wyjątkową wydajnością energetyczną. W tym miejscu podano porady dotyczące oszczędzania energii podczas korzystania z urządzenia, a także wskazówki dotyczące prawidłowego pozbywania się zużytego urządzenia.

3.2 Oszczędzanie energii

- Do prawidłowej pracy okapu, a także w celu uzyskania niskiego poziomu hałasu podczas gotowania, niezbędny jest odpowiedni dopływ powietrza.
- Poziom mocy wentylatora należy ustawić odpowiednio do ilości pary w kuchni. Najwyższego ustawienia należy używać wyłącznie w razie potrzeby. Niższy poziom mocy oznacza niższe zużycie energii.
- Jeśli przewiduje się gęsty dym w kuchni podczas gotowania, to należy wcześniej ustawić wyższy poziom mocy. Rozproszenie silnego zadymienia

już obecnego w pomieszczeniu wymaga dużo dłuższej pracy okapu.

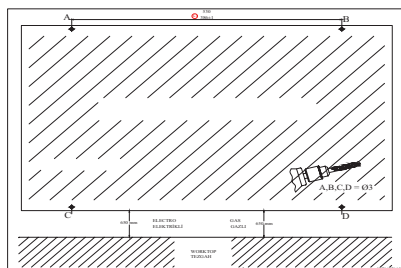
- Należy wyłączyć okap, jeśli nie jest już wykorzystywany.
- Filtr należy czyścić i wymieniać zgodnie z zalecanym harmonogramem, aby zwiększać skuteczność wentylacji i wyeliminować ryzyko pożaru.

3.3 Montaż urządzenia



PRZESTROGA

Podczas wiercenia i cięcia należy stosować rękawice i okulary ochronne.



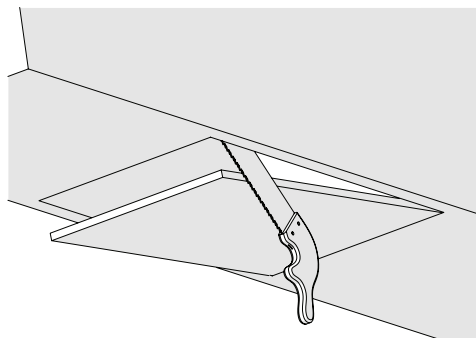
Rys. 6

Wiercenie otworów montażowych

- Nakleić szablon montażowy dołączony do urządzenia w miejscu montażu.
- Wywiercić otwory wskazane na szablonie montażowym jako A, B, C, D, stosując wiertło Ø4 mm. Rys. 6

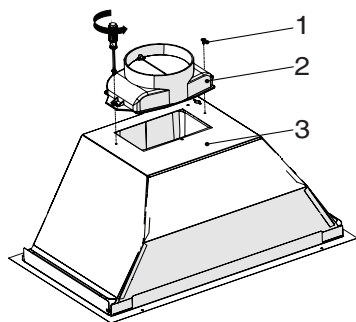
3 Montaż i korzystanie z urządzenia

Rys. 7

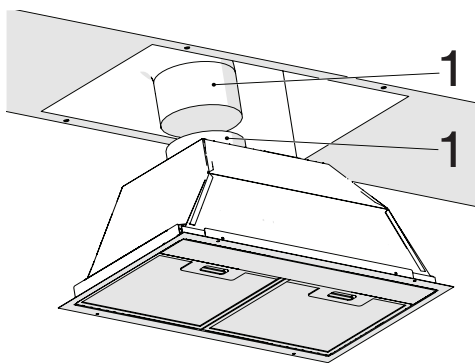


- Wyciąć otwór w dolnej części szafki, w miejscu przeznaczonym do montażu okapu, uwzględniając wymiary z rysunku technicznego (rys. 7).

Rys. 8



1. Wkręt 3,5 × 9,5
 2. Plastikowy przewód kominowy Ø120 mm
 3. KorpusGniazdo zaworu
- Zamontować plastikowy przewód kominowy dołączony do zestawu do korpusu urządzenia za pomocą 2 wkrętów 3,5 × 9,5. (Rys. 8) Nie pocierać powierzchni. Rys. 8



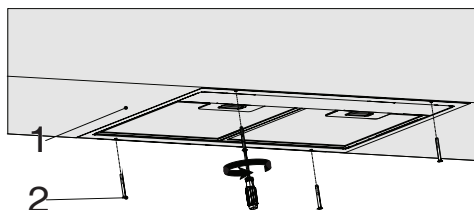
Rys. 9

1. Rura odprowadzająca powietrze
 2. Przewód kominowy okapu
- Włożyć rurę odprowadzającą powietrze w przewód kominowy i przymocować zaciskiem (rys. 9).

PRZESTROGA



Ponieważ łuki i kolanka w aluminiowym przewodzie spalinowym osłabiają ciąg powietrza, należy ich w miarę możliwości unikać.



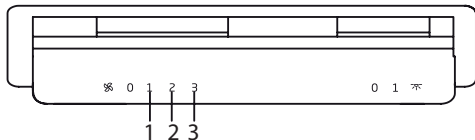
Rys. 10

1. Widok szafki kuchennej z dołu
 2. Wkręt montażowy 4 X 3,9 X 32 do okapu
- Włożyć okap w przygotowane miejsce pod szafką i zamocować go, korzystając z 4 wstępnie nawierzonych otworów (rys. 10).

3 Montaż i korzystanie z urządzenia

3.4 Korzystanie z urządzenia

3.4.1 Korzystanie z przełącznika



- Przesławić przełącznik lampy w położenie „0”, aby wyłączyć lampę.
- Przesławić przełącznik lampy w położenie „1”, aby zapalić lampę.
- Przesławić przełącznik silnika w położenie „0”, aby wyłączyć silnik.
- Silnik umożliwia korzystanie z trzech poziomów mocy odpowiednio do ilości pary podczas gotowania: 1 oznacza minimalną moc, a 3 oznacza maksymalną moc.

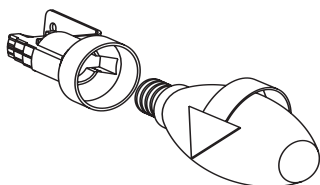
3.5 Wymiana żarówki

3.5.1 Wymiana żarówki



OSTRZEŻENIE

Odłączyć zasilanie od okapu. Można poparzyć dłonie gorącymi żarówkami, należy więc poczekać, aż ostygną.



Rys. 11: Wymiana żarówki

- Wyjąć aluminiowy filtr nabożowy. Wyjąć zużytą żarówkę i wymienić na żarówkę o tych samych parametrach. Rys. 11

UWAGA:



W razie awarii lub uszkodzenia urządzenia należy odłączyć je z zasilania za pomocą bezpiecznika lub poprzez wyjęcie przewodu zasilającego, a następnie wezwać autoryzowanego serwisanta.


UWAGA:



W razie uszkodzenia kabla zasilającego należy go wymienić u producenta, korzystając z usług serwisanta lub osoby o analogicznych kwalifikacjach, aby uniknąć niebezpieczeństwa.


4 Czyszczenie i konserwacja

UWAGA:




W razie awarii lampek zainstalowanych w urządzeniu należy odłączyć je z zasilania za pomocą bezpiecznika lub poprzez odłączenie przewodu. Niezwłocznie wymieniać przepalone żarówki, ponieważ dalsze korzystanie z oświetlenia grozi przeciążeniem pozostałych lamp (należy odczekać, aż żarówka ostygnie).

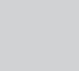
PRZESTROGA



Jeśli okap znajduje się nad urządzeniami kuchennymi, jego wystające części mogą się nagrzewać.



W przypadku napraw wykonanych nieprawidłowo lub niezgodnie z przepisami należy wyłączyć bezpiecznik lub odłączyć przewód zasilający urządzenia. Naprawy mogą wykonywać wyłącznie autoryzowani serwisanci lub upoważniony personel o odpowiednich umiejętnościach.



W przypadku napraw wykonanych nieprawidłowo lub niezgodnie z przepisami należy wyłączyć bezpiecznik lub odłączyć przewód zasilający urządzenia. Naprawy mogą wykonywać wyłącznie autoryzowani serwisanci lub upoważniony, wykwalifikowany personel.


4 Czyszczenie i konserwacja

PRZESTROGA



Zagrożenie uszkodzeniem z powodu korozji. Należy zawsze uruchamiać urządzenie podczas gotowania, aby zapobiegać powstawaniu skroplin. Skropliny mogą być przyczyną korozji. Niezwłocznie wymieniać przepalone żarówki, ponieważ dalsze korzystanie z oświetlenia grozi przeciążeniem pozostałych lamp. Ryzyko uszkodzenia występuje z powodu dostania się wilgoci do układów elektronicznych. Nie wolno czyścić elementów sterujących mokrą ściereczką. Nieprawidłowe czyszczenie może spowodować uszkodzenie powierzchni. Powierzchnie ze stali nierdzewnej należy czyścić wyłącznie w kierunku szczotkowania. Nie używać środka do stali nierdzewnej do czyszczenia elementów sterujących. Czyszczenie żrącymi lub ściernymi środkami czyszczącymi grozi uszkodzeniem powierzchni. Nigdy nie używać ściernych ani żrących środków czyszczących. Ryzyko uszkodzenia z powodu cofania się kondensatu. Należy zainstalować przewód wylotowy powietrza ze spadkiem 1° pod urządzeniem.

PRZESTROGA



Urządzenia można używać w trybie zanieczyszczonego powietrza i trybie cyrkulacji powietrza.



Tryb zanieczyszczonego powietrza
Pobrane powietrze jest czyszczone przez filtry oleju i odprowadzane przez system rur. (Rys. 3). Jeśli zanieczyszczone powietrze ma być odprowadzane do nieczynnego przewodu kominowego lub spalinowego, należy otrzymać zezwolenie od specjalisty w dziedzinie oczyszczania powietrza. Jeśli zanieczyszczone powietrze jest odprowadzane przez ścianę zewnętrzną, należy użyć stelaża podtynkowego.



Pobrane powietrze jest czyszczone przez filtry oleju oraz filtr z węglem aktywnym i odprowadzane z powrotem do kuchni. Rys. 4



UWAGA!

Zanieczyszczone powietrze nie powinno być kierowane do przewodu kominowego ani spalinowego, ani też do przewodu używanego do wentylacji pomieszczeń, w których zainstalowano źródła ogrzewania.



Aby zatrzymać materiały emitujące nieprzyjemne zapachy podczas trybu cyrkulacji powietrza, należy zamontować filtr z węglem aktywnym. Aby uzyskać więcej informacji na temat sposobów korzystania z urządzenia w trybie cyrkulacji powietrza, należy skonsultować się z autoryzowanym dealerem. Akcesoria potrzebne do przeprowadzenia tej procedury można kupić w odpowiednich punktach sprzedaży, od autoryzowanych agentów serwisowych lub w sklepie internetowym.

4 Czyszczenie i konserwacja

Zakupione urządzenie nadaje się do użytku z filtrem węglowym. Aby zamontować filtr węglowy:

1 - Umieścić filtr węglowy w obudowie. Rys. 15/1

2 - Obrócić filtr węglowy w kierunku zgodnym z ruchem wskazówek zegara, aby upewnić się, że jest odpowiednio zamontowany. Rys. 15/2



Res.13



Res.14



Res.15



Jeśli filtr węglowy nie jest prawidłowo zamocowany, może wypaść i uszkodzić urządzenie.



PRZESTROGA

Nigdy nie myć filtrów węglowych. Chronić filtry węglowe przed dziećmi.



PRZESTROGA

Dzieci nie mogą czyścić produktu ani przeprowadzać konserwacji bez nadzoru.

- Czyszczenie żrącymi lub ściernymi środkami czyszczącymi grozi uszkodzeniem powierzchni. Nigdy nie używać ściernych ani żrących środków czyszczących. Środki czyszczące i materiały zabezpieczające odpowiednio do użytku z urządzeniem można uzyskać w autoryzowanym serwisie. Powierzchnia urządzenia i elementy sterujące są podatne na zarysowania.
- Czyścić powierzchnie miękką ściereczką zwilżoną płynem do zmywania lub płynem do mycia szyb. Zasznięte i przyklejone zabrudzenia zmiękczyć wilgotną ściereczką. Nie zdrapywać!
- Suche ściereczki, drapiące gąbki, materiały wymagające pocierania, piasek i inne silnie działające środki czyszczące zawierające wodę mineralną, kwas lub chlor nie są odpowiednie.
- Powierzchnie ze stali nierdzewnej czyścić wyłącznie w kierunku szczotkowania.

- Nie używać środków czyszczących do stali nierdzewnej ani mokrych ściereczek do czyszczenia elementów sterujących. Czyszczenie metalowych filtrów oleju. Używane metalowe filtry oleju zatrzymują pojawiającą się w kuchni wilgoć oraz cząsteczki oleju zawarte w parze. W przypadku regularnego korzystania (od 1 do 2 godzin dziennie) czyścić metalowe filtry oleju co około 3 miesiące.
- Nie czyścić silnie działającymi środkami czyszczącymi, zawierającymi kwas ani powodującymi rdzewienie.
- Do czyszczenia metalowych filtrów oleju używać mokrej ściereczki, aby wyczyścić części wychwytyjące filtra wewnątrz urządzenia.
- Metalowe filtry oleju można myć w zmywarce lub ręcznie.
- Nie rozpryskiwać środków czyszczących bezpośrednio na urządzenie.
- Nie stawiać przedmiotów palnych ani ciężkich ozdób na urządzeniu.

4.1 Mycie w zmywarce

- W przypadku mycia w zmywarce może się pojawić lekkie przebarwienie. Nie wpływa to na działanie metalowego filtra oleju.
- Nie myć mocno zabrudzonych metalowych filtrów oleju razem z naczyńiami.
- Rozmieścić metalowe filtry oleju w zmywarce z zachowaniem wyraźnych odstępów. Metalowe filtry oleju nie powinny być ściśnięte w zmywarce.

4.2 Mycie ręczne

- W przypadku uporczywych zabrudzeń użyć specjalnego środka do rozpuszczania oleju. Można go nabyć w autoryzowanych centrach sprzedaży.
- Namoczyć metalowy filtr oleju w gorącej wodzie z dodatkiem płynu do zmywania.
- Do czyszczenia używać szczotki i poczekać, aż płyn dobrze wsiąknie w metalowy filtr oleju. Po czyszczeniu dokładnie wypłukać filtr.
- Zmiany w danych technicznych produktu oraz treści instrukcji obsługi mogą być wprowadzane bez powiadomienia.

4 Czyszczenie i konserwacja

- Opisywane urządzenie jest zgodne z rozporządzeniem w sprawie zużytego sprzętu elektrycznego i elektronicznego (WEEE).
- Okap jest przeznaczony do użytku nad płytą grzewczą. Należy się upewnić, że nośność ściany jest odpowiednia do zainstalowania okapu. Wszelkie koszty związane z wyburzaniem, cięciem i podobnymi pracami wymaganymi w celu montażu urządzenia ponosi klient. Z okapu można korzystać z przewodem odprowadzającym spaliny do atmosfery lub bez takiego przewodu (po zamontowaniu filtra węglowego). Należy brać pod uwagę wszystkie aspekty, które można napotkać przed rozpoczęciem i w trakcie instalacji. Instalacja powinna być wykonana przez wykwalifikowanych serwisantów. Instalację może wykonywać wyłącznie upoważniony specjalista znający się na wentylacji. Okres żywotności urządzenia określony przez Ministerstwo przemysłu (okres dostępności części zamiennych potrzebnych do prawidłowego działania funkcji urządzenia) wynosi 10 (dziesięć) lat.
- Podczas przenoszenia i transportu urządzenia należy umieścić je w oryginalnym opakowaniu, aby zapobiec uszkodzeniom podzespołów.
- Urządzenie podczas przenoszenia musi znajdować się w położeniu takim samym jak do pracy.
- Należy uważać, aby nie upuścić urządzenia, a także zabezpieczyć je przed uszkodzeniem podczas transportu. Gwarancja nie dotyczy usterek i uszkodzeń powstałych podczas transportu po dostarczeniu urządzenia do klienta.

Nejprve si přečtěte tento návod k použití!

Vážený zákazníku,

Děkujeme, že jste si vybrali tento produkt značky Beko. Doufáme, že s tímto spotřebičem, který byl vyroben s využitím vysoce kvalitní a moderní technologie, dosáhnete těch nejlepších výsledků. Z tohoto důvodu si před použitím spotřebiče pečlivě přečtěte celý návod k použití a jakékoli doplňující dokumenty a uchovejte je pro budoucí použití. Pokud spotřebič předáte další osobě, rovněž jí předejte návod k použití. Dodržujte pokyny a věnujte pozornost všem informacím a varováním uvedeným v návodu k použití.

Nezapomeňte, že se tento návod může vztahovat i k několika jiným modelům. Rozdíly mezi modely jsou v návodu výslovně popsány.

Význam symbolů

V různých částech tohoto návodu k použití jsou použity následující symboly:



Důležité informace a užitečné tipy k použití.



VAROVÁNÍ: Upozornění na nebezpečné situace týkající se ohrožení života a majetku.



Varování před nebezpečím požáru.



Varování před úrazem elektrickým proudem.



Tento spotřebič byl vyroben v ekologicky šetrných a moderních zařízeních bez negativního dopadu na životní prostředí.

1 Důležité pokyny z hlediska bezpečnosti a životního prostředí

1.1 Obecné bezpečnostní pokyny

- Tento spotřebič mohou používat děti starší 8 let a osoby, které mají dostatečné fyzické, smyslové nebo duševní schopnosti a mají odpovídající zkušenosti a znalosti, pod podmínkou, že jsou pod dozorem nebo byly informovány o bezpečném používání spotřebiče a souvisejícím nebezpečí.
- Děti si nesmí se spotřebičem manipulovat. Čištění a údržba nesmí být prováděny dětmi, pokud na ně nedohlíží starší osoby.
- Tento spotřebič je určen jen pro domácí použití.
- Provozní napětí vašeho výrobku je 220 - 240 V ~ 50 Hz.
- Uzemněná zástrčka je připojena k napájecímu kabelu vašeho spotřebiče. Tento kabel musí být zastrčen do uzemněné zásuvky.
- Elektrickou instalaci musí provádět kvalifikovaný elektrikář.
- Instalace prováděná neoprávněnými osobami může způsobit provoz s nízkým výkonem, poškození spotřebiče a nehody.
- Musí být zabráněno zaseknutí napájecího kabelu na místě nebo jeho rozdrčení při instalaci. Napájecí kabel nesmí být umístěn v blízkosti varné desky. V takových případech se může kabel roztavit a způsobit požár.
- Nezapojujte produkt do elektrické sítě před dokončením instalace.
- Ujistěte se, že zástrčka je v místě, kde je snadno přístupná, aby se v případě nebezpečí mohla odpojit od napájení.
- Nedotýkejte se žárovek, pokud jsou v provozu delší dobu. Mohou spálit ruce, protože budou horké.
- Kuchyňské digestoře jsou vyráběny pro běžné vaření a domácí použití. V případě použití pro jiné účely může dojít k poruše výrobku a zrušení záruky.
- Dodržujte předpisy stanovené příslušnými úřady o vypouštění odpadního vzduchu (toto upozornění se nevztahuje na použití bez kouřovodu).
- Pod spotřebičem se nesmí vařit hořlavé potraviny.
- Spusťte spotřebič po umístění hrnce, pánve apod. na varnou desku. V opačném případě může vysoká teplota způsobit deformaci některých částí výrobku.

1 Důležité pokyny z hlediska bezpečnosti a životního prostředí

- Před sejmutím hrnce, pánve apod. vypněte varnou desku.
- Nenechávejte na varné desce horký olej. Nádoby s horkým olejem mohou způsobit samovznícení.
- Dávejte pozor na záclony a závěsy, protože olej se může při smažení některých potravin, jako jsou hranolky, vznítit.
- Zajistěte, aby se filtry měnily včas. V důsledku hromadění oleje na filtrech, které nebyly včas vyměněny, hrozí nebezpečí požáru.
- Namísto filtru nepoužívejte filtrační materiály neodolné proti ohni.
- Neprovozujte spotřebič bez filtru a neodstraňujte filtry, když je spotřebič spuštěn.
- V případě požáru odpojte digestoř a varné spotřebiče od napájení. (Odpojte spotřebič nebo vypněte hlavní vypínač).
- Pokud není pravidelné čištění prováděno správně, hrozí nebezpečí požáru.
- Před údržbovými pracemi přerušete napájení spotřebiče. (Odpojte spotřebič nebo vypněte hlavní vypínač).
- Podtlak v místnosti nesmí překročit 4 Pa (4 x 10 bar), zatímco digestoř pro elektrickou varnou desku a spotřebiče pracující na jiném typu energie, než je elektřina, pracují současně.
- V prostředí, kde je spotřebič používán, musí být odvětrávací zařízení běžících na topném oleji nebo plynu, jako je teplovzdušný ventilátor, naprosto izolovaný nebo zařízení musí být hermetického typu.
- Při připojování kouřovodu použijte trubky o průměru 120 nebo 150 mm. Připojení trubek musí být co nejkratší a mít co nejméně záhybů.
- Děti si nesmí se spotřebičem manipulovat.
- Pro vaši bezpečnost používejte v digestoři pojistku „MAX 6 A“.
- Obalové materiály uchovávejte mimo dosah dětí, protože pro ně mohou představovat nebezpečí.
- Pokud je poškozen napájecí kabel, musí jej vyměnit výrobce, servisní středisko nebo podobně kvalifikovaná osoba, aby se předešlo nebezpečí.
- V případě požáru odpojte digestoř a varné spotřebiče od napájení a zakryjte plamen. Nikdy nehasete oheň vodou.

1 Důležité pokyny z hlediska bezpečnosti a životního prostředí

- Pokud jsou spotřebiče na vaření spuštěny, mohou být jejich přístupné části horké.
- Toto zařízení není určeno pro použití osobami (včetně dětí) s omezenými fyzickými, vjemovými nebo mentálními schopnostmi, nebo osobami, které nemají dostatek zkušeností, ani znalostí, pokud požívají daný výrobek bez dohledu nebo náležitých pokynů od osoby odpovědné za jejich bezpečnost.
- Když je instalace digestoře pro elektrické varné desky dokončena, musí být mezi spotřebičem a elektrickými varnými deskami minimální vzdálenost 65 cm.
- Vývod digestoře nesmí být připojen ke vzduchovodům, do kterých je vyveden jiný kouř.
- Dbejte opatrnosti při použití spotřebiče se zařízeními, která využívají vzduch a palivo (např. ohřívače, ohřívače vody na plyn, naftu, uhlí nebo dřevo, nebo ohřívače vody) ve stejném prostředí. To může nepříznivě ovlivnit spalování, protože digestoř vypouští vzduch do okolního prostředí.
- Toto varování se nevztahuje na použití bez kouřovodu.
- Ventilace v místnosti může být nedostatečná, pokud je digestoř pro elektrickou varnou desku používána současně se zařízeními na plyn nebo jiná paliva (to neplatí pro spotřebiče, které vypouštějí vzduch zpět do místnosti).

1.1 Dodržování směrnice WEEE a o likvidaci odpadů:

Tento produkt splňuje směrnici EU WEEE (2012/19/EU). Tento výrobek nese symbol pro třídění, platný pro elektrický a elektronický odpad (WEEE).



Tento symbol znamená, že příslušný produkt na konci jeho životnosti nesmí být likvidován spolu s jiným domácím odpadem. Použité zařízení musíte odnést do oficiální sběrný pro recyklaci elektrických a elektronických zařízení. Obratě se na místní úřady nebo na prodejce, u kterého jste si zařízení zakoupili, a informujte se o umístění sběrných zařízení. Každá domácnost hraje důležitou roli ve sběru a recyklaci starých zařízení. Správná likvidace starého zařízení pomáhá předejít možným negativním následkům pro životní prostředí a lidské zdraví.

Dodržování směrnice RoHS:

Produkt, který jste zakoupili splňuje směrnicí EU RoHS (2011/65/EU). Neobsahuje žádné škodlivé ani zakázané materiály, které jsou směrnicí zakázané.

1 Důležité pokyny z hlediska bezpečnosti a životního prostředí

1.2 Informace o balení



Balení produktu je vyrobeno z recyklovatelných materiálů, v souladu s naší národní legislativou. Obalové materiály nelikvidujte s domácím nebo jiným druhem odpadu. Odveďte je na sběrné místo balícího materiálu, které má pověření místních orgánů.

1.3 Život ohrožující riziko Riziko otravy



Obr. 1: Riziko otravy



Obr. 2: Riziko otravy



NEBEZPEČÍ! **Varování - Riziko** **udušení**

Obalové materiály jsou pro děti nebezpečné. Nedovolte dětem manipulovat s obalovými materiály.

NEBEZPEČÍ! **Varování - Nebezpečí** **smrti**



Život ohrožující riziko, riziko otravy je způsobeno znovu absorbovanými spalovacími plyny. Pro použití s výstupem vzduchu nepoužívejte spotřebiči současně se zařízeními, které vylučují jedovaté plyny, jako jsou kamna s cirkulací vzduchu provozována s plynem, olejem, dřevem nebo dřevěným uhlím, lázeňská kamna, ohříváče vody atd., pokud není zajištěn dostatečný přívod vzduchu. Obr. 3

Zařízení s cirkulací vzduchu (např. kamna, která jsou provozována s plynem, olejem, dřevem nebo dřevěným uhlím, lázeňská kamna, ohříváče vody) odebírají vzduch z instalačního místa a vypouštějí odpadní plyn prostřednictvím systému odpadních plynů (např. kouřovodu). Spotřebič během provozu absorbuje vzduch z kuchyně a sousedních místností. Pokud není dodáno dostatečné množství vzduchu, může docházet k tvoření vakua. V tomto případě se jedovaté plyny absorbují zpět z kouřovodu a potrubí na odpadní plyny a vracejí se zpět do místnosti. Obr. 1

Z tohoto důvodu je třeba zajistit, aby bylo vždy dodáváno dostatečné množství čistého vzduchu. Obr. 2

1 Důležité pokyny z hlediska bezpečnosti a životního prostředí

VAROVÁNÍ! **Nebezpečí požáru!**

Olejový kal na olejovém filtru se může vznítit. Olejový filtr vyčistěte nejméně jednou měsíčně. Nikdy spotřebič nepoužívejte bez olejového filtru. Filtr na uhlí vyčistěte nejméně jednou každé tři měsíce.

Olejový kal na olejovém filtru se může vznítit. Nikdy nepracujte s plamenem v blízkosti spotřebiče (např. flambování). Spotřebič smí být instalován pouze v blízkosti topného zařízení, které je ohříváno pevným palivem (např. dřevem nebo uhlím) za předpokladu, že je k dispozici uzavřený kryt, který není odnímatelný. Nesmí být způsobeny žádné jiskry.

Horké rostlinné oleje a tuk se snadno vznítí. Pozornost by měla být vždy věnována horkým rostlinným olejům a tukům. Nesnažte se uhasit oheň vodou.

Vypněte varnou desku. Plamen opatrně přikryjte víkem, nehořlavou dekou nebo podobným předmětem.



Plynové varné desky, které na nich nemají žádné kuchyňské nádoby, vytvářejí během provozu vysoké teplo. Větrací zařízení umístěné na varné desce se proto může poškodit nebo shořet. Plynové varné desky používejte pouze v případech, že je na nich nádoby na vaření.

Provoz více než jedné plynové varné desky současně způsobuje vysoké teplo. Větrací zařízení umístěné na varné desce se proto může poškodit nebo shořet. Nepoužívejte dvě plynové varné desky s vysokým plamenem déle než 15 minut. Hořák s výkonem nad 5kW (Wok) je roven hořáku se dvěma hladinami plynu.

1 Důležité pokyny z hlediska bezpečnosti a životního prostředí

VAROVÁNÍ!

Nebezpečí úrazu elektrickým proudem!

Vadný spotřebič může způsobit úraz elektrickým proudem. Nepoužívejte vadný spotřebič. Odpojte ho nebo vyjměte pojistku z pojistkové skříňky. Kontaktujte zákaznické centrum.

Opravy, které nejsou v souladu s pokyny, představují hrozbu. Opravy a výměny vadných elektrických kabelů smí provádět pouze servisní technik vyškolený naší firmou. Pokud je spotřebič vadný, odpojte ho nebo vyjměte pojistku z pojistkové skříňky. Kontaktujte zákaznické centrum.

Voda unikající do spotřebiče může způsobit úraz elektrickým proudem. Nesmí se používat vysokotlaké nebo parní čističe.



NEBEZPEČÍ!

Nebezpečí zranění!

Hrozí nebezpečí poranění během instalace v důsledku ostrých hran. Při instalaci spotřebiče vždy používejte ochranné rukavice.

Všechny bezpečnostní šrouby a bezpečnostní kryty musí být instalovány tak, jak je uvedeno v návodu k použití z důvodu nebezpečí pádu spotřebiče.

Objekty na spotřebiči mohou spadnout. Nepokládejte na spotřebič žádné předměty.

Světlo LED je příliš ostré a může poškodit vaše oči (skupina nebezpečí 1). Nedívejte se přímo na světlo LED déle než 100 sekund.



UPOZORNĚNÍ

Přístupné součástky se mohou zahřát při použití s vařiči.



V případě oprav, které nebyly provedeny řádně nebo v souladu s pravidly, vypněte pojistku nebo odpojte spotřebič ze zásuvky. Opravy smí provádět pouze autorizovaný servis nebo autorizovaný odborný personál.

V případě oprav, které nebyly provedeny řádně nebo v souladu s pravidly, vypněte pojistku nebo odpojte spotřebič ze zásuvky. Opravy smí provádět pouze autorizovaný servis nebo autorizovaný kvalifikovaný personál.



1 Důležité pokyny z hlediska bezpečnosti a životního prostředí



NEBEZPEČÍ! **Nebezpečí popálení, nebezpečí úrazu elektrickým proudem!**

Před čištěním nebo údržbou vyčkejte, až spotřebič vychladne. Vypněte pojistku nebo odpojte spotřebič.

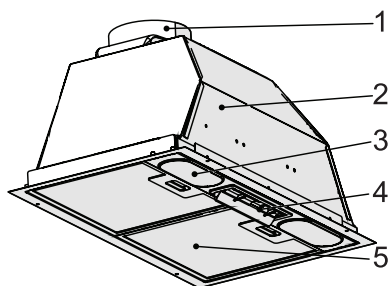
Nebezpečí poškození v důsledku pronikání vlhkosti do elektroniky. Regulátory nikdy nečistěte mokrým hadříkem.

Při nesprávném čištění může dojít k poškození povrchu. Povrchy z nerezové ocele čistěte pouze ve směru kartáčování. Pro regulátory nepoužívejte čistič na nerezovou ocel.

Povrch může být poškozen abrazivními nebo třecími čistícími prostředky. Nikdy nepoužívejte abrazivní čistící prostředky.

2 Celkový vzhled

2.1 Přehled



1. Kouřovod
2. Tělo
3. Osvětlení varné desky
4. Ovládací panel
5. Hliníkový olejový filtr

2.2 Technické údaje

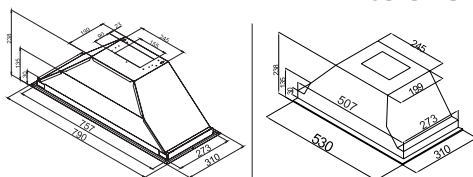
CE Tento spotřebič splňuje evropskou směrnici CE 2014/30/EU (směrnice o elektromagnetické kompatibilitě) a 2014/35/EU (směrnice o nízkém napětí (LVD)).

Napájecí napětí	220 - 240V 50 Hz.
Výkon žárovky (W)	2x3 W
Výkon motoru (W)	1x185 W
Izolační třída motoru	F
Izolační třída	I

Technické a vzhledové změny vyhrazeny. Rozměry uvedené v technických výkresech jsou v mm. Tento obrázek je uveden pouze pro informaci o částech spotřebiče. Části se mohou lišit podle modelu spotřebiče. Obrázky jsou poskytovány reprezentativním způsobem.

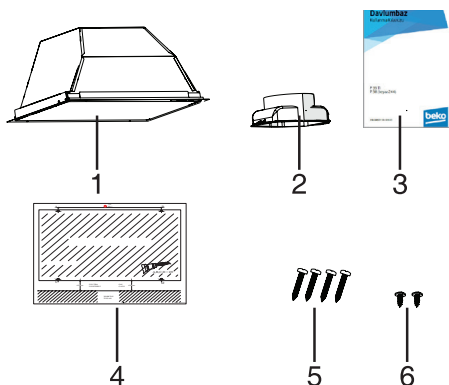
2.3 Technický výkres

HNU51311SH
HNU51311S
HNU51312S



HNU71311S

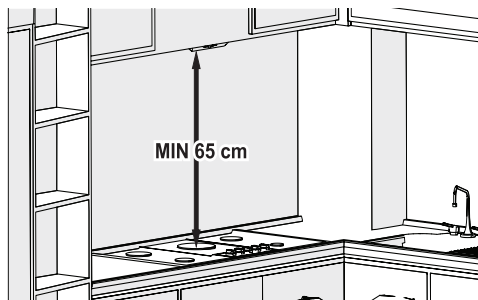
2.4 Obsah balení



1. Digestoř
2. Plastový kouřovod Ø120 mm
3. Návod k použití
4. Instalační nákres
5. 4x Šroub 3,9 x32 (pro instalaci digestoře)
6. Šroub 3,5 x 9,5 (pro montáž plastového kouřovodu)

3 Instalace a použití spotřebiče

3.1 Umístění spotřebiče



- Před instalací je třeba věnovat pozornost vzdálenosti mezi varnou deskou a digestoří. Tato vzdálenost musí být 65 cm.
- Měření musí být provedeno od mřížky na plynových varných deskách a od skla na elektrických varných deskách.



Váš nový spotřebič je obzvláště energeticky účinný. Najdete zde několik rad, jak ušetřit více energie při používání spotřebiče, a zda je nutné řádně spotřebič likvidovat.

3.2 Co je třeba udělat pro úsporu energie;

- Zajistěte dostatečný přívod vzduchu, aby byla digestoř schopna pracovat efektivně a s nízkým provozním hlukem během vaření.
- Nastavte úroveň ventilátoru podle hustoty páry v kuchyni. Použijte vysokou úroveň pouze v případě potřeby. Nižší úroveň ventilátoru znamená nižší spotřebu energie.
- Pokud se v kuchyni očekává hustý kouř, vyberte vyšší úroveň ventilátoru předem. Pro odstranění kouře, který je již rozšířený po celé kuchyni, je nutné používat digestoř mnohem déle.
- Pokud digestoř nepoužíváte, vypněte ji.

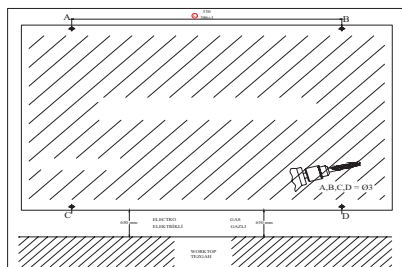
- V uvedených intervalech vyčistěte nebo vyměňte filtr, čímž se zvýší účinnost větrání a vyloučí se nebezpečí požáru.

3.3 Instalace spotřebiče



UPOZORNĚNÍ

Při vrtání a řezání používejte ochranné rukavice a brýle.

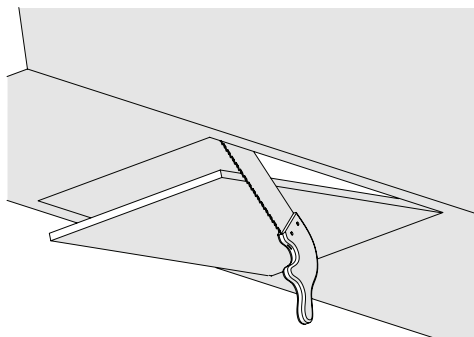


Obr. 6

Vrtání montážních otvorů

- Použijte montážní šablonu dodanou s přístrojem na povrch, na kterém bude instalace provedena.
- Vyrvejte otvory označené na instalační šabloně písmeny A, B, C, D vrtákem s $\varnothing 4$ mm. Obr. 6

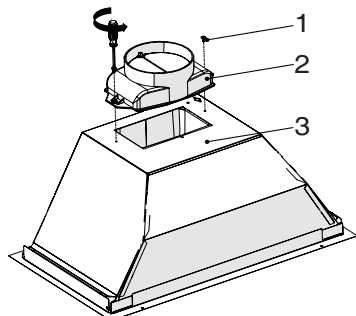
Obr. 7



3 Instalace a použití spotřebiče

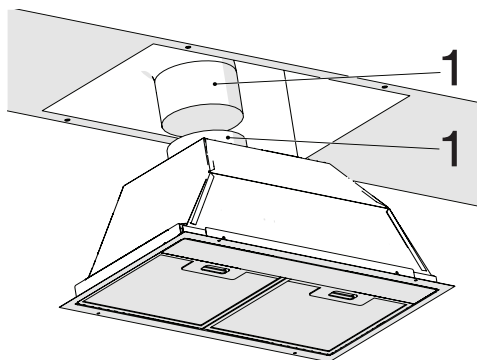
- Odřízněte spodní povrch skříně, kde bude instalována digestoř, v rozměrech specifikovaných v technickém výkresu (Obr. 7).

Obr. 8



1. Šroub 3,5 x 9,5
2. Plastový kouřovod Ø 120 mm
3. Zásuvka tělesa ventilu

- Pomocí 2 šroubů 3,5 x 9,5 připevněte k tělesu spotřebiče plastový kouřovod dodávaný se spotřebičem. (Obr. 8) Neotírejte je o povrch. Obr. 8



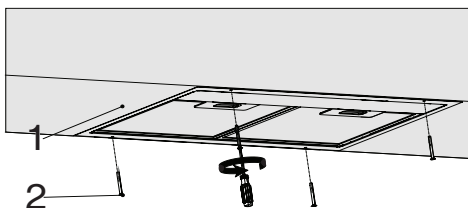
Obr. 9

1. Potrubí vývodu vzduchu
 2. Kouřovod digestoře
- Připojte potrubí vývodu vzduchu ke kouřovodu a upevněte pomocí svorky (Obr. 9).



UPOZORNĚNÍ

Jelikož ohyby a kolena na hliníkovém kouřovodu způsobí pokles sacího výkonu, používejte je co možná nejméně.

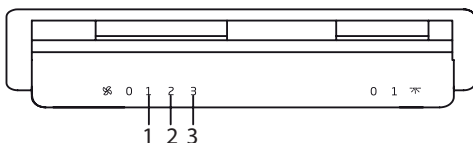


Obr. 10

1. Pohled zdola kuchyňské linky
2. Montážní šroub 4 X 3,9 X 32 Digestoř umístěte do kuchyňské skříně a namontujte na 4 instalační otvory, které byly předtím vyvrtány (Obr. 10).

3.4 Použití spotřebiče

3.4.1 Použití kolébkového spínače



- Přepněte spínač světla do polohy „0“, abyste světlo vypnuli.
- Přepněte spínač světla do polohy „1“, abyste světlo zapnuli.
- Přepněte spínač motoru do polohy „0“ a motor se vypne.
- Motor můžete ovládat v 1. stupni minimální rychlosti a ve 3. stupni maximální rychlosti podle hustoty páry.

3 Instalace a použití spotřebiče

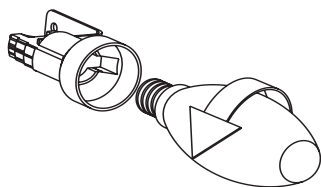
3.5 Výměna žárovky

3.5.1 Výměna svíčkové žárovky



VAROVÁNÍ

Odpojte napájení digestoře. Horké žárovky mohou popálit vaše ruce, tak počkejte až vychladnou.



Obr. 11: Výměna svíčkové žárovky

- Vyměňte hliníkový vložkový filtr. Vyměňte vadnou žárovku a vyměňte ji za novou se stejnými hodnotami. Obr. 11

3 Instalace a použití spotřebiče



POZNÁMKA:

Pokud se spotřebič porouchá nebo poškodí, vypněte pojistku nebo odpojte spotřebič a zavolejte autorizovaného servisního technika.



POZNÁMKA:

Pokud je poškozen napájecí kabel, musí jej vyměnit výrobce, servisní středisko nebo podobně kvalifikovaná osoba, aby se předešlo nebezpečí.



POZNÁMKA:

V případě poruchy žárovky spotřebiče vypněte pojistku nebo odpojte spotřebič. Vadné žárovky ihned vyměňte, abyste zabránili přetížení dalších žárovek (počkejte, než žárovky vychladnou).

4 Čištění a údržba



UPOZORNĚNÍ

Nikdy uhlíkové filtry neumývejte. Udržujte uhlíkové filtry mimo dosah dětí.



UPOZORNĚNÍ

Čištění a údržbu nesmí děti provádět bez dohledu dospělé osoby.

- Povrch může být poškozen abrazivními nebo třecími čistícími prostředky. Nikdy nepoužívejte abrazivní nebo třecí čistící prostředky. Z autorizovaného servisu si obstarajte čistící prostředky a ochranné materiály vhodné pro váš spotřebič. Povrch spotřebiče a regulátory jsou citlivé na poškrábání.
- Povrch čistěte měkkým a vlhkým hadříkem, mycím prostředkem nebo jemným čistícím prostředkem na sklo. Suchou a ulpělou nečistotu změkčete vlhkým hadříkem. Neseškrabujte!
- Suché hadry, houby, které mohou poškrábat, materiály, které vyžadují tření, písek a další účinné čistící prostředky obsahující minerální vodu, kyselinu nebo chlorid, nejsou vhodné.
- Povrchy z nerezové ocele čistěte pouze ve směru broušení.
- Pro řídicí jednotky nepoužívejte čistící prostředek na nerezové ocele ani mokré hadry. Čištění kovových olejových filtrů Použité kovové olejové filtry zadržují vlhkost vytvářenou v kuchyni a olejové částice obsažené v páře. V případě pravidelného používání (1 až 2 hodiny denně) vyčistěte kovové olejové filtry přibližně jednou za 3 měsíce.
- Nepoužívejte příliš účinné, okyselené nebo korozivní čistící prostředky.
- Pro čištění kovových olejových filtrů použijte vlhký hadřík k čištění přídržných částí kovových olejových filtrů uvnitř spotřebiče.
- Kovové olejové filtry můžete mýt v myčce nebo ručně.



UPOZORNĚNÍ

Tento spotřebič můžete používat v režimu odpadního vzduchu a v režimu cirkulace vzduchu.



Režim odpadního vzduchu

Absorbovaný vzduch je čištěn olejovými filtry a vypouštěn potrubním systémem. (Obr. 3) Chcete-li odvádět odpadní vzduch do vyrazeného kouřovodu, musíte získat povolení od autorizovaného odborníka na čištění kouřovodu. Pokud je odpadní vzduch vypouštěn přes vnější stěnu, je třeba použít teleskopický rám.



Absorbovaný vzduch je čištěn olejovými filtry a filtrem s aktivním uhlím a vypouštěn do kuchyně. Obr. 4



POZNÁMKA!

Odpadní vzduch nesmí být přenášen do kouřového nebo spalínového kouřovodu, ani do kouřovodů používaných pro větrání míst, kde jsou instalovány zdroje tepla.



Pro utěsnění materiálů způsobujících zápach v režimu cirkulujícího vzduchu byste měli nainstalovat filtr s aktivním uhlím. Poradte se s autorizovaným prodejcem, abyste zjistili různé možnosti provozu spotřebiče v režimu cirkulace vzduchu. Příslušenství potřebné pro tento postup můžete zakoupit na příslušných prodejních místech, u autorizovaných servisních agentů nebo online.

4 Čištění a údržba

UPOZORNĚNÍ

Nebezpečí poškození v důsledku poškození korozí. Spotřebič používejte vždy při vaření, aby se zabránilo tvorbě kondenzátu. Kondenzát může způsobit poškození korozí. Vadné žárovky ihned vyměňte, abyste zabránili přetížení dalších žárovek. Nebezpečí poškození v důsledku pronikání vlhkosti do elektroniky. Regulátory nikdy nečistěte mokrým hadříkem. Při nesprávném čištění může dojít k poškození povrchu. Povrchy z nerezové ocele čistěte pouze ve směru kartáčování. Pro regulátory nepoužívejte čistič na nerezovou ocel. Povrch může být poškozen abrazivními nebo třecími čisticími prostředky. Nikdy nepoužívejte abrazivní čisticí prostředky. Nebezpečí poškození v důsledku zpětného proudění kondenzátu. Nainstalujte vývod vzduchu se sklonem 1°, směrem dolů od spotřebiče.



Zakoupený spotřebič je vhodný pro použití s uhlíkovým filtrem. Připojení uhlíkového filtru;

1- Vložte uhlíkový filtr do jeho krytu. Obr. 15/1

2- Otočte uhlíkový filtr ve směru hodinových ručiček, abyste se ujistili, že je pevně zasunutý. Obr. 15/2



Res.13



Res.14



Res.15



Pokud není uhlíkový filtr správně připojen, může dojít k jeho pádu a poškození spotřebiče.

- Neaplikujte čisticí prostředky ve spreji přímo na spotřebič.
- Nepokládejte na spotřebič hořlavé a/nebo těžké dekorativní předměty.

4.1 Mytí v myčce na nádobí

- V případě mytí v myčce může dojít k mírnému zabarvení. To nemá vliv na funkci kovového olejového filtru.
- Vysoce znečištěné kovové olejové filtry neumývejte spolu s nádobím.
- Kovové olejové filtry umístěte volně do myčky. Kovové olejové filtry musí být vloženy do myčky tak, aby nebyly zaseknuté.

4.2 Ruční mytí

- Pro odolné nečistoty můžete použít speciální prostředek na rozpouštění oleje. Tento prostředek je k dostání v autorizovaném prodejním centru.
- Kovový olejový filtr odmočte v horké vodě s mycím prostředkem.
- K čištění použijte kartáč a počkejte, až se kapalina na kovovém olejovém filtru dobře vyčistí. Po vyčištění filtry dobře opláchněte.
- Technické specifikace a tento návod mohou být změněny bez předchozího upozornění.
- Tento spotřebič je v souladu s Nařízením o doзору nad elektrickým a elektronickým odpadem.
- Tato digestoř je určena k použití nad varnou deskou. Ujistěte se, že stěna unese váhu digestoře. Náklady za rozbítí, řezání a podobné postupy prováděné na stěně nebo skříni během instalace musí hradit spotřebitel. Digestoř může být použita se systémem kouřovodu, který vypouští vzduch, nebo bez kouřovodu (připojením uhlíkového filtru). Věnujte pozornost situacím, se kterými se můžete setkat před nebo během instalace. Instalaci musí provést autorizovaný servis. Montáž musí provádět autorizovaný odborník, který má znalosti o ventilaci. Životnost spotřebiče identifikovaná ministerstvem průmyslu (doba dostupnosti náhradních dílů

4 Čištění a údržba

potřebných pro výkon funkcí spotřebiče) je 10 (deset) let.

- Spotřebič musí být uchováván v původním obalu, aby nedošlo k jeho poškození při manipulaci a přepravě.
- Během manipulace udržujte spotřebič v normální poloze.
- Spotřebič nenechávejte spadnout a chraňte jej před poškozením během přepravy. Záruka se nevztahuje na vady a škody vzniklé během přepravy po dodání spotřebiče zákazníkovi.

Najskôr si prečítajte túto používateľskú príručku!

Vážený zákazník,

ďakujeme vám, že ste si vybrali tento spotrebič značky Beko. Dúfame, že s týmto spotrebičom, ktorý bol vyrobený vo vysokej kvalite a s najmodernejšími technológiami, dosiahnete tie najlepšie výsledky. Z tohto dôvodu si pred použitím spotrebiča pozorne prečítajte celú túto používateľskú príručku a všetky ostatné sprievodné dokumenty a uschovajte ich pre prípad potreby do budúcnosti. Ak dáte spotrebič niekomu inému, dajte mu tiež používateľskú príručku. Postupujte podľa pokynov a venujte pozornosť všetkým informáciám a varovaniam v používateľskej príručke.

Pamätajte, že táto používateľská príručka sa môže vzťahovať aj na iné modely. Rozdiely medzi modelmi budú v príručke výslovne popísané.

Význam symbolov

V rôznych častiach tejto používateľskej príručky sú použité nasledujúce symboly:



Dôležité informácie o užitočných tipoch na použitie.



VAROVANIE: Upozornenie na nebezpečné situácie týkajúce sa ohrozenia života a majetku.



Upozornenia na nebezpečenstvo požiaru.



Varovanie pred zásahom elektrickým prúdom.



Tento spotrebič bol vyrobený v modernom závode šetrnom voči životnému prostrediu bez škodlivého dopadu na prírodu.

1. Dôležité bezpečnostné pokyny a pokyny týkajúce sa životného prostredia

1.1. Všeobecná bezpečnosť

- Tento spotrebič môžu obsluhovať deti od 8 rokov a osoby, ktoré majú dostatočné fyzické, zmyslové a psychické schopnosti a majú potrebné skúsenosti a poznatky, za podmienky, že sú pod dozorom alebo boli informované o bezpečnom používaní spotrebiča a súvisiacich rizikách.
- Deti sa nesmú hrať so spotrebičom ani do neho zasahovať. Čistenie a údržba nesmú byť vykonávané deťmi, ak na ne nedohliadajú staršie osoby.
- Tento spotrebič je určený na použitie v domácnosti.
- Prevádzkové napätie tohto produktu je 220 - 240 V ~ 50 Hz.
- Uzemnená zástrčka je pripojená k napájaciemu káblu spotrebiča. Tento kábel by mal byť pripájaný do uzemnenej zásuvky.
- Elektrická inštalácia by mala byť vykonaná kvalifikovaným elektrikárom.
- Inštalácia vykonaná neautorizovanou osobou môže mať za následok slabý prevádzkový výkon, poškodenie spotrebiča a nehody.
- Pri inštalácii je potrebné predísť zaseknutiu alebo zlomeniu napájacieho kábla. Napájací kábel by nemal byť umiestnený v blízkosti varnej dosky. V takýchto prípadoch by sa kábel mohol roztopiť a spôsobiť požiar.
- Produkt nepripájajte pred jeho inštaláciou.
- Zabezpečte, aby zástrčka bola pripojená na mieste, kde je k nej ľahký prístup, aby ju bolo možné v prípade nebezpečenstva odpojiť od siete.
- Nedotýkajte sa lúčov, ak boli v prevádzke po dlhý čas. Keďže sú horúce, mohli by ste si popáliť ruky.
- Kuchynské odsávacie digestory sú určené pre bežné varenie a domáce použitie. V prípade použitia na iné účely by sa výrobok mohol pokaziť a záruka by bola neplatná.
- Dodržiavajte predpisy vydané kompetentnými úradmi týkajúce sa vypúšťania odsávaného vzduchu (toto neplatí pre použitie bez dymovodu).
- Horľavé potraviny by pod digestorom nemali byť tepelne upravované.
- Váš spotrebič spustíte len vtedy,

1. Dôležité bezpečnostné pokyny a pokyny týkajúce sa životného prostredia

ak je na varnej doske hrniec, panvica atď. V opačnom prípade môže teplo spôsobiť deformáciu niektorých častí vášho spotrebiča.

- Varnú dosku vypnite pred tým ako z nej zložíte hrniec, panvicu a pod.
- Na varnej doske nenechávajte horúci olej. Panvice s horúcim olejom môžu zapríčiniť samovznietenie.
- Dávajte pozor na závesy a prikryvky, keďže olej by mohol vzbĺknuť pri tepelnej úprave, ako je smaženie.
- Uistite sa, že filtre boli vymenené načas. Kvôli usádzaniu oleja na filtroch, ktoré neboli včas vymenené, vzniká riziko požiaru.
- Filtre nenahrádzajte materiálmi, ktoré nie sú ohňovzdorné.
- Spotrebič nespúšťajte bez filtra a filter nevyberajte počas prevádzky.
- V prípade požiaru odpojte digestor a iné spotrebiče určené na varenie od siete. (Spotrebič odpojte alebo vypnite hlavný vypínač.)
- Ak sa dôkladne nevykonáva pravidelné čistenie, vzniká riziko požiaru.
- Pred vykonaním údržby odpojte spotrebič od siete. (Spotrebič

odpojte alebo vypnite hlavný vypínač.)

- Negatívny tlak prostredia by nemal presiahnuť 4 Pa (4 x 10 bar), pokiaľ digestor pre elektrickú varnú dosku a spotrebiče fungujúce na inom type energie, ako je elektrická, sú v prevádzke súčasne.
- V prostredí, kde je tento spotrebič používaný, musia byť výfuky zariadení fungujúcich na palivách, ako je olej alebo plyn, napr. izbové vykurovacie telesá, úplne oddelené alebo tieto zariadenia musia byť hermetického typu.
- Pri montáži dymovodu použite potrubie s priemerom 120 mm alebo 150 mm. Potrubné pripojenie musí byť čo najkratšie a mať čo najmenej kolien.
- Deti sa nesmú hrať so spotrebičom ani do neho zasahovať.
- Z bezpečnostných dôvodov použite pri montáži digestora poistku „MAX 6 A“.
- Obalové materiály uchovajte mimo dosahu detí, keďže by pre ne mohli predstavovať riziko.
- Ak je napájací kábel poškodený, musí ho vymeniť výrobca, jeho servisný pracovník alebo iná náležite kvalifikovaná osoba, aby

1. Dôležité bezpečnostné pokyny a pokyny týkajúce sa životného prostredia

sa predišlo riziku.

- V prípade požiaru odpojte digestor a varnú dosku od siete a zakryte plamene. Na hasenie ohňa nikdy nepoužívajte vodu.
- Dostupné časti zariadení určených na varenie môžu byť počas ich prevádzky horúce.
- Tento spotrebič nie je určený na používanie osobami (vrátane detí) so zníženými fyzickými, zmyslovými alebo duševnými schopnosťami alebo osobami s nedostatkom skúseností a znalostí, kým nie sú pod dozorom osoby, zodpovednej za ich bezpečnosť, alebo kým od takejto osoby nedostanú pokyny týkajúce sa používania spotrebiča.
- Po ukončení montáže digestora pre elektrické varné dosky by mala byť jeho vzdialenosť od danej varnej dosky minimálne 65 cm.
- Výfuk digestora nesmie byť napojený na vzduchové potrubia, ktoré odvádzajú iný dym.
- Opatrnosť je potrebná, ak je tento spotrebič používaný so zariadeniami, ktoré používajú vzduch a palivo (napr. vykurovacie telesá, ohrievače vody, ktoré spotrebúvajú plyn, naftové palivo, uhlie, drevo) v jednom priestore.

Toto by mohlo negatívne ovplyvniť horenie, keďže digestor vypúšťa vzduch do tohto priestoru.

- Toto upozornenie sa nevťahuje na použitie bez dymovodu.
- Vetranie miestnosti môže byť nedostatočné, ak sa digestor pre elektrické varné dosky používa súčasne so zariadeniami využívajúcimi plyn alebo iné palivá (toto sa nevťahuje na zariadenia, ktoré vypúšťajú vzduch späť do tej istej miestnosti).

1.1. V súlade so smernicou o odpadoch z elektrických a elektronických zariadení a zneškodňovaní odpadov:

Tento produkt je v súlade so smernicou o odpadoch z elektrických a elektronických zariadení EÚ (2012/19/EÚ). Tento produkt obsahuje symbol triedeného odpadu pre odpadové elektrické a elektronické vybavenie (WEEE).



Tento symbol znamená, že sa tento výrobok na konci jeho životnosti nesmie likvidovať spolu s iným domácim odpadom. Použitie zariadenie musíte odnieť do oficiálnej zberne pre recykláciu elektrických a elektronických zariadení. Obráťte sa na miestne úrady alebo na predajcu, u ktorého ste si výrobok zakúpili, a informujte sa o umiestnení zberných zariadení. Každá domácnosť hrá dôležitú úlohu v zbere a recyklácii starých zariadení. Správna likvidácia starého zariadenia pomáha predísť možným negatívnym následkom pre životné prostredie a ľudské zdravie.

1. Dôležité bezpečnostné pokyny a pokyny týkajúce sa životného prostredia

V súlade s Obmedzením používania niektorých nebezpečných látok v elektronických a elektrických zariadení

Tento produkt bol zakúpený v súlade so smernicou o odpadoch z elektrických a elektronických zariadení EÚ (2011/65/EÚ) Neobsahuje žiadne nebezpečné alebo zakázané materiály špecifikované smernicou.

1.2 Informácie o balení



Balenie produktu je vyrobené z recyklovateľných materiálov, v súlade s našou národnou legislatívou. Baliaci materiál nelikvidujte spolu s komunálnym alebo iným odpadom. Zoberte ho na zberné miesto baliaceho materiálu, ktoré vytvorili miestne úrady.

1.3. Ohrozenie života Riziko otrávenia



Obr. 1: Riziko otrávenia



Obr. 2: Riziko otrávenia



NEBEZPEČENSTVO! **Varovanie - riziko udusenía.**

Obalové materiály sú pre deti nebezpečné. Nedovoľte deťom hrať sa s obalovými materiálmi.



NEBEZPEČENSTVO! **Varovanie - nebezpečenstvo smrti.**

Ohrozenie života otrávením z dôvodu opätovnej absorpcie spaľovaných plynov. Pri použití s výfukom vzduchu nepoužívajte spotrebič súčasne s objektmi, ktoré vyfukujú jedovaté plyny ako sporáky s cirkuláciou vzduchu, ktoré fungujú na základe plynu, oleja, dreva, uhlia, vaňové ohrievače, ohrievače vody atď., kým nie je zabezpečený dostatočný prísuv vzduchu. Obr. 3

Objekty s cirkuláciou vzduchu (napr. sporáky spaľujúce plyn, olej, drevo alebo uhlie, vaňové ohrievač, ohrievače vody) získavajú vzduch z miesta inštalácie a vypúšťajú odpadový plyn prostredníctvom systému odpadového plynu (napr. dymovodom). Tento vzduch môže byť spotrebičom absorbovaný z kuchyne alebo zo susediacich miestností. Ak nie je dostatočný prísuv vzduchu, vzniká podtlak. V takomto prípade sú jedovaté plyny späťne absorbované z dymovodov a odpadových plynových potrubí a vracajú sa späť do domácnosti. Obr. 1

Z tohto dôvodu by vždy mal byť zabezpečený dostatočný prísuv čistého vzduchu. Obr. 2

1. Dôležité bezpečnostné pokyny a pokyny týkajúce sa životného prostredia

VAROVANIE! **Nebezpečenstvo požiaru!**

Olejová usadenina na filtri sa môže vznietiť. Olejový filter vyčistíte aspoň raz za mesiac. Neprevádzkujte spotrebič bez olejového filtra. Filter s aktívnym uhlím vyčistíte aspoň raz za tri mesiace.

Olejová usadenina na filtri sa môže vznietiť. V blízkosti spotrebiča nikdy nepracujte s otvoreným ohňom (napr. flambovanie). Inštalovať spotrebič v blízkosti zariadení, ktoré sú ohrievané pevným palivom (napr. drevo alebo uhlie) je povolené len v prípade, že sú vybavené uzavretým krytom, ktorý sa nedá odstrániť. Nemali by vznikáť žiadne iskry.

Horúce rastlinné oleje a tuky sa ľahko vznietia. Vždy dávajte pozor na horúce zeleninové oleje a tuky. Nepokúšajte sa oheň uhasiť vodou.

Vypnite varnú dosku. Opatrne prikryte plameň pokrievkou, ohňovzdornou dekou alebo podobným predmetom.



Plynové varné dosky, na ktorých sa nenachádza žiadny kuchynský riad, produkujú počas prevádzky vysoké teplo. Vetracie zariadenie umiestnené na varnej doske môže byť kvôli tomu poškodené alebo zhorieť. Plynové variče spúšťajte len vtedy, keď sa na nich nachádza kuchynský riad.

Použitie viac ako jedného plynového horáku súčasne produkuje veľmi vysoké teplo. Vetracie zariadenie umiestnené na varnej doske môže byť kvôli tomu poškodené alebo zhorieť. Nepoužívajte dva plynové horáky pri nastavení na silný plameň po dobu viac ako 15 minút. Výkon horáku nad 5 kW (wok) sa rovná dvom plynovým horákam.

1. Dôležité bezpečnostné pokyny a pokyny týkajúce sa životného prostredia

VAROVANIE!

Nebezpečenstvo úrazu elektrickým prúdom!

Chybný spotrebič môže spôsobiť úraz elektrickým prúdom. Nepoužívajte chybný spotrebič. Odpojte ho alebo vyberte poistku zo skrinky poistky. Zavolajte na centrum služieb zákazníkom.

Opravy, ktoré nie sú v súlade s pokynmi, predstavujú hrozbu. Opravy a výmeny chybných elektrických káblov by mal vykonávať iba technik zákazníckeho servisu vyškolený našou spoločnosťou. Ak je spotrebič chybný, odpojte ho alebo vyberte poistku zo skrinky poistky. Zavolajte na centrum služieb zákazníkom.

Vniknutie vody do spotrebiča môže spôsobiť úraz elektrickým prúdom. Na čistenie sa nesmú používať vysokotlakové ani parné čističe.



NEBEZPEČENSTVO!

Riziko poranenia.

Pri montáži hrozí kvôli ostrým hranám riziko poranenia. Pri montáži spotrebiča vždy používajte ochranné rukavice.

Všetky bezpečnostné skrutky a kryty by mali byť nainštalované tak, ako je uvedené v používateľskej príručke, aby sa vyhlizlo riziko spadnutia spotrebiča.

Predmety umiestnené na spotrebiči by mohli spadnúť. Na spotrebič nekladte žiadne predmety.

LED svetlo spotrebiča je príliš jasné a môže spôsobiť poškodenie zraku (skupina nebezpečnosti 1). Nepozerajte sa priamo do LED svetla po dobu viac ako 100 sekúnd.



VÝSTRAHA

Prístupné časti sa počas používania s vybavením na varenie môžu zahriať.



1. Dôležité bezpečnostné pokyny a pokyny týkajúce sa životného prostredia



V prípade opráv, ktoré neboli vykonané správne podľa pravidiel, odpojte poistku alebo odpojte spotrebič od siete. Opravy môžu byť vykonané len autorizovaným servisom alebo autorizovanou zručnou osobou.

V prípade opráv, ktoré neboli vykonané správne podľa pravidiel, odpojte poistku alebo odpojte spotrebič od siete. Opravy môžu byť vykonané len autorizovaným servisom alebo autorizovanou kvalifikovanou osobou.



NEBEZPEČENSTVO! **Hrozí riziko popálenia** **alebo zásahu** **elektrickým prúdom!**

Počkajte, kým sa spotrebič ochladí, predtým než budete vykonávať čistenie alebo údržbu. Vyradte poistku alebo odpojte spotrebič od siete.

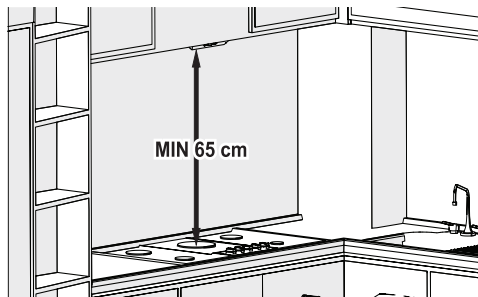
Pri vniknutí vlhkosti do elektroniky hrozí riziko poškodenia. Ovládače nikdy nečistite vlhkou látkou.

Povrch by sa mohol nevhodným čistením poškodiť. Povrchy z nehrdzavejúcej ocele čistite len v smere kefovania. Čistič na nehrdzavejúcu oceľ nepoužívajte na čistenie ovládačov.

Abrazívne a zrnité čistiace prostriedky môžu poškodiť povrch. Nikdy nepoužívajte abrazívne ani zrnité čistiace prostriedky.

3. Inštalácia a používanie spotrebiča

3.1. Umiestnenie spotrebiča



- Pred inštaláciou venujte pozornosť vzdialenosti medzi varnou doskou a digestorom. Táto vzdialenosť by mala byť 65 cm.
- Meranie by malo byť vykonané od povrchu roštu na plynovom sporáku a od skleneného povrchu na elektrických doskách.



Váš nový spotrebič má vysokú energetickú účinnosť. Tu nájdete niekoľko návodov, ako pri používaní spotrebiča ušetriť ešte viac energie, a požadované postupy likvidácie spotrebiča správnym spôsobom.

3.2. Veci potrebné pre úsporu energie:

- Zabezpečte dostatočný prívod vzduchu, aby digestor mohol fungovať účinne a pri nízkom prevádzkovom hluku počas varenia.
- Úroveň ventilátora nastavte podľa hustoty pary v kuchyni. Vysokú úroveň nastavte len vtedy, keď je to naozaj potrebné. Nižšie úrovne ventilátora znamenajú menšiu spotrebu energie.
- Ak sa v kuchyni očakáva viac pary, zvolte vyššiu úroveň ventilátora už vopred. Odstránenie výparov, ktoré sú v kuchyni už prítomné si vyžaduje oveľa dlhší čas prevádzky.
- Digestor vypnite, ak ho nepoužívate.

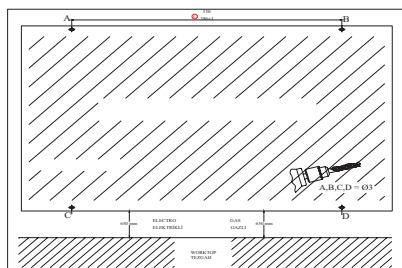
- Filtre čistite alebo vymieňajte v stanovených intervaloch. Takto zvýšite účinnosť ventilácie a znížite riziko požiaru.

3.3. Inštalácia spotrebiča



VÝSTRAHA

Pri vŕtaní a rezaní používajte ochranné rukavice a okuliare.

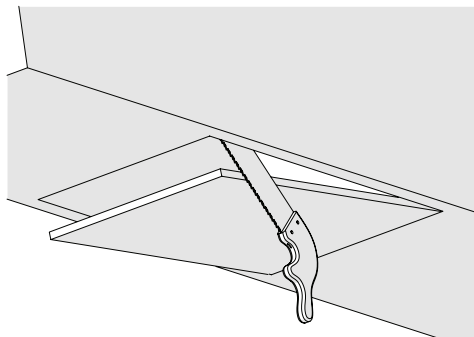


Obr. 6

Vŕtanie montážnych dier

- Na povrch, na ktorý chcete digestor pripevniť, priložte šablónu dodanú so spotrebičom.
- Vyvŕtajte diery označené na šablóne A, B, C, D použitím vŕtáku $\varnothing 4$ mm. Obr. 6

Obr. 7

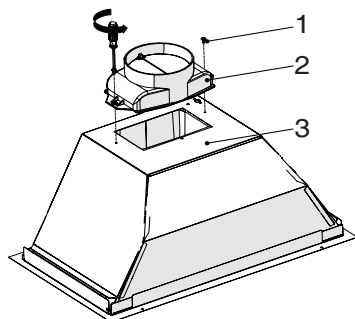


- Vyrežte spodnú plochu skrinky, do ktorej má byť

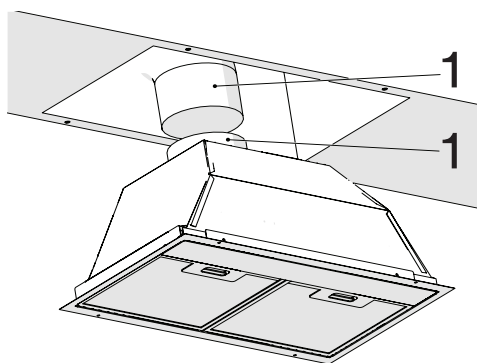
3. Inštalácia a používanie spotrebiča

digestor osadený podľa rozmerov uvedených v technickom nákrese (obr. 7).

Obr. 8



1. Skrutka 3,5 x 9,5.
 2. Plastový dymovod \varnothing 120 mm
 3. Obruč s kolíkmi
- Pripevnite plastový dymovod dodaný v balení k telu spotrebiča použitím 2 skrutiek 3,5 x 9,5. (Obr. 8) Nešúchajte po povrchu. Obr. 8



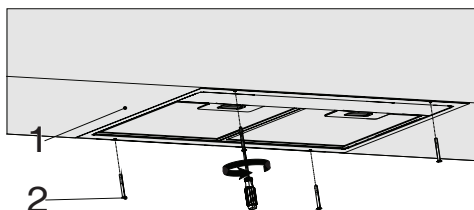
Obr. 9

1. Potrubie na odvádzanie vzduchu
 2. Výfukový dymovod digestora
- Pripevnite potrubie na odvádzanie vzduchu k výfukovému dymovodu pomocou spony (obr. 9).



VÝSTRAHA

Keďže ohyby a kolená hliníkového potrubia spôsobujú zníženie sacieho výkonu, treba sa v maximálnej miere vyhnúť ich použitiu.

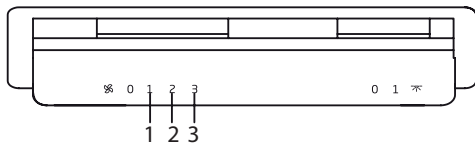


Obr. 10

1. Spodný pohľad na kuchynskú skrinku.
 2. Montážne skrutky digestora 4 X 3,9 X 32
- Vložte digestor do kuchynskej skrinky a pripevnite ho do 4 montážnych dier, ktoré ste predtým vyvrtali (obr. 10).

3.4. Použitie spotrebiča

3.4.1. Použitie kyvného prepínača



- Prepnutím prepínača do polohy „0“ vypnete lampu.
- Prepnutím prepínača do polohy „1“ zapnete lampu.
- Prepnutím prepínača motora do polohy „0“ vypnete motor.
- Motor môžete používať na 1. minimálnom stupni rýchlosti a na 3. maximálnom stupni rýchlosti podľa hustoty pary z varenia.

3. Inštalácia a používanie spotrebiča

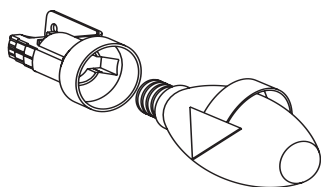
3.5. Výmena lampy

3.5.1. Výmena žiarovky



VAROVANIE

Odpojte digestor od elektrickej siete. Lampy môžu spôsobiť popálenie rúk. Počkajte, kým ochladnú.



Obr. 11: Výmena žiarovky

- Odstráňte hliníkový kryt vložky. Vyberte nefunkčnú žiarovku a nahraďte ju novou s rovnakými hodnotami. Obr. 11



POZNÁMKA:

Ak sa spotrebič pokazí alebo poškodí, vyradte poistku alebo odpojte spotrebič od siete a zavolajte zástupcu autorizovaného servisu.



POZNÁMKA:

Ak je napájací kábel poškodený, musí ho vymeniť výrobca, jeho servisný pracovník alebo iná náležite kvalifikovaná osoba, aby sa predišlo riziku.



POZNÁMKA:

Vyradte poistku alebo odpojte spotrebič od siete aj v prípade prasknutia lampy. Chybné lampy vymeňte ihneď, aby ste predišli preťaženiu iných lúč (najprv počkajte, kým lampy ochladnú).

4. Čistenie a údržba



V prípade opráv, ktoré neboli vykonané správne podľa pravidiel, odpojte poistku alebo odpojte spotrebič od siete. Opravy môžu byť vykonané len autorizovaným servisom alebo autorizovanou zručnou osobou.

V prípade opráv, ktoré neboli vykonané správne podľa pravidiel, odpojte poistku alebo odpojte spotrebič od siete. Opravy môžu byť vykonané len autorizovaným servisom alebo autorizovanou kvalifikovanou osobou.

NEBEZPEČENSTVO! **Hrozí riziko popálenia alebo zásahu elektrickým prúdom!**

Počkajte, kým sa spotrebič ochladí, predtým než budete vykonávať čistenie alebo údržbu. Vyrad'te poistku alebo odpojte spotrebič od siete.



Pri vniknutí vlhkosti do elektroniky hrozí riziko poškodenia. Ovládače nikdy nečistite vlhkou látkou.

Povrch by sa mohol nevhodným čistením poškodiť. Povrchy z nehrdzavejúcej ocele čistite len v smere kefovania. Čistič na nehrdzavejúcu oceľ nepoužívajte na čistenie ovládačov.

Abrázívne a zrnité čistiace prostriedky môžu poškodiť povrch. Nikdy nepoužívajte abrazívne ani zrnité čistiace prostriedky.



VÝSTRAHA

Riziko poškodenia z dôvodu korózie. Spotrebič používajte vždy počas varenia, aby ste predišli tvorbe kondenzácie. Kondenzácia môže spôsobiť poškodenie koróziou. Chybné lampy vymeňte ihneď, aby ste predišli preťaženiu iných lúč. Pri vniknutí vlhkosti do elektroniky hrozí riziko poškodenia. Ovládače nikdy nečistite vlhkou látkou. Povrch by sa mohol nevhodným čistením poškodiť. Povrchy z nehrdzavejúcej ocele čistite len v smere kefovania. Čistič na nehrdzavejúcu oceľ nepoužívajte na čistenie ovládačov. Abrázívne a zrnité čistiace prostriedky môžu poškodiť povrch. Nikdy nepoužívajte abrazívne ani zrnité čistiace prostriedky. Hrozí riziko poškodenia z dôvodu spätného prúdenia kondenzátov. Potrubie výpustu vzduchu nainštalujte so sklonom 1° mierne smerom dolu spotrebičom.



VÝSTRAHA

Tento spotrebič môžete používať v režime odpadového vzduchu a v režime cirkulácie vzduchu.



Režim odpadového vzduchu

Absorbovaný vzduch je čistený cez olejové filtre a vypustený systémom potrubí. (Obr. 3). Ak chcete nasmerovať odpadový vzduch do uzavretého dymového alebo plynového dymovodu, potrebujete získať povolenie autorizovaným odborníkom pre daný dymovod. Ak je odpadový vzduch odvádzaný cez obvodovú stenu mal by byť na to použitý teleskopický stenový rám.

4. Čistenie a údržba



Absorbovaný olej je čistený cez olejové filtre a cez aktívny uhlíkový filter a odvedený späť do kuchyne. Obr. 4



VÝSTRAHA

Uhlíkové filtre nikdy neumývajte. Uhlíkové filtre uchovávajte mimo dosahu detí.



POZNÁMKA!

Odpadový vzduch by nemal byť odvádzaný do dymového alebo plynového dymovodu ani do dymovodu používaného na vetranie priestorov, v ktorých sa nachádzajú zdroje tepla.



VÝSTRAHA

Deti bez dozoru nesmú vykonávať čistenie ani používateľskú údržbu.



Pre elimináciu materiálov spôsobujúcich zápachy v režime cirkulácie vzduchu by ste mali mať nainštalovaný aktívny uhlíkový filter. O rôznych možnostiach použitia spotrebiča v režime cirkulácie vzduchu sa poraďte s autorizovaným dodávateľom. Potrebné príslušenstvo si môžete zakúpiť na predajných miestach, u zástupcov autorizovaného servisu alebo na online predajných centrách.

Spotrebič, ktorý ste si kúpili je vhodný na použitie s uhlíkovým filtrom. Pri montáži uhlíkového filtra:

1. Umiestnite uhlíkový filter do krytu. Obr. 15/1
2. Otočte uhlíkový filter v smere hodinových ručičiek, aby ste zabezpečili jeho pevné uchytenie. Obr. 15/2



Res.13



Res.14



Res.15



Ak uhlíkový filter nie je správne uchytený, môže vypadnúť a poškodiť spotrebič.

- Abrázívne a zrnité čistiace prostriedky môžu poškodiť povrch. Nikdy nepoužívajte abrazívne a zrnité čistiace prostriedky. Čistiace a ochranné prostriedky vhodné pre váš spotrebič si môžete zabezpečiť od vášho autorizovaného servisu. Povrch spotrebiča a ovládače sú citlivé na poškrabanie.
- Tieto povrchy čistite vlhkou látkou s tekutým saponátom na riad alebo jemným čističom na sklo. Zasušenú a lepkavú nečistotu zmäčkíte vlhkou látkou. Nezoškrabujte!
- Suché látky, spongie, ktoré by mohli spôsobiť poškrabanie, materiály vyžadujúce trenie, piesok alebo iné účinné čistiace prostriedky obsahujúce minerálnu vodu, kyseliny alebo chlóridy nie sú vhodné.
- Povrchy z nehrdzavejúcej ocele čistite len v smere brúsenia.
- Čistiace prostriedky na nehrdzavejúcu oceľ a vlhké látky nepoužívajte na čistenie ovládacích jednotiek. Čistenie kovových olejových filtrov Použitie kovové olejové filtre zadržiavajú vlhkosť produkovanú v kuchyni a olejové čiastočky obsiahnuté v pare. V prípade pravidelného používania (1 - 2 hodiny denne) čistite kovové olejové filtre približne raz za 3 mesiace.
- Nepoužívajte vysoko účinné, kyselinové alebo korozívne čistiace prostriedky.
- Na čistenie kovových olejových filtrov vo vnútri spotrebiča použite vlhkú látku.
- Olejové filtre môžete čistiť ručne alebo v umývačke riadu.
- Nepoužívajte sprejové čistiace prostriedky priamo na spotrebič.
- Na spotrebič nekladte ťažké dekoratívne a/

4. Čistenie a údržba

alebo horľavé predmety.

4.1. Umývanie v umývačke riadu

- Pri umývaní v umývačke sa môže objaviť mierna zmena farebnosti. Toto nemá vplyv na funkčnosť kovových olejových filtrov.
- Silne znečistené olejové filtre neumývajte spolu s riadom.
- Kovové olejové filtre umiestnite v umývačke riadu voľne. Kovové olejové filtre by mali byť v umývačke umiestnené bez zaseknutia.

4.2. Ručné umývanie

- Na odolné nečistoty môžete použiť špeciálny prostriedok na čistenie od oleja. Tento prostriedok môžete získať od autorizovaného predajného centra.
- Nečistoty kovového olejového filtra zmäknú horúcou vodou s obsahom tekutého čistiaceho prostriedku na riad.
- Na čistenie použijete kefu a počkajte na dostatočný odtok tekutiny z kovového olejového filtra. Filter po čistení dôkladne opláchnite.
- Technické špecifikácie a táto používateľská príručka sa môžu zmeniť bez predchádzajúceho upozornenia.
- Tento spotrebič zodpovedá predpisom o odpade z elektrických a elektronických zariadení.
- Tento digestor je určený na použitie nad varnou doskou. Uistite sa, že predmetná stena dokáže uniesť hmotnosť digestora. Náklady na búranie, vyrezávanie a podobné postupy, ktoré by mohli byť potrebné vykonať na stene alebo skrinke pri inštalácii spotrebiča znáša zákazník. Tento digestor môže byť použitý so systémom potrubia, ktoré odvádza vzduch, alebo bez neho (s použitím uhlíkového filtra). Venujte pozornosť problémom, ktoré by sa mohli vyskytnúť pred inštaláciou alebo počas nej. Inštaláciu by mal vykonávať len zástupca autorizovaného servisu. Inštaláciu by mal vykonávať autorizovaný odborník, ktorý má poznatky z oblasti vetrania. Prevádzková životnosť spotrebiča určená Ministerstvom priemyslu (doba dostupnosti náhradných častí

potrebných pre funkčnosť tohto spotrebiča) je 10 (desať) rokov.

- Počas zaobchádzania so spotrebičom a pri jeho prevoze musí byť spotrebič uchovávaný v pôvodnom balení aby sa vyhol poškodeniu jeho súčastí.
- Počas zaobchádzania so spotrebičom ho udržiujte v normálnej polohe.
- Spotrebič nezhadzujte a počas prepravy ho chráňte pred poškodením. Záruka sa nevzťahuje na chyby a poškodenia spôsobené počas prepravy po doručení spotrebiča zákazníkom.

Palun lugege esmalt kasutusjuhendit!

Hea klient!

Täname, et valisite Beko toote! Loodetavasti jääte selle nüüdisaegse tehnoloogia järgi valmistatud kvaliteetse toote tööga rahule. Selleks tutvuge enne toote kasutamist hoolikalt kasutusjuhendi ja kõigi kaasasolevate dokumentidega ja hoidke need alles. Kui annate toote üle uuele omanikule, pange kaasa ka kasutusjuhend. Järgige juhiseid, pöörates tähelepanu kasutusjuhendis toodud kogu teabele ja kõikidele hoiatustele.

Pidage meeles, et see kasutusjuhend võib kehtida ka teiste mudelite kohta. Mudelite vahelisi erinevusi on kasutusjuhendis selgelt kirjeldatud.

Sümbolite tähendused

Käesoleva juhendi erinevates jaotistes kasutatakse järgmisi tähiseid:



Oluline teave ja kasulikud nõuanded.



HOIATUS! Hoiatused elule ja varale ohtlike olukordade kohta.



Hoiatus tulekahju ohu kohta.



Hoiatus elektrilöögi kohta.



Toode on valmistatud keskkonnasõbralikes nüüdisaegsetes tehastes loodust kahjustamata.

1 Olulised ohutus - ja keskkonnaalased juhised

1.1 Üldine ohutus

- Lapsed (alates 8-aastastest) ja isikud, kellel on tavapärasest väiksemad füüsilised, sensoorised või vaimsed võimed ja kellel puuduvad piisavad kogemused ja teadmised, tohivad seadet kasutada nende ohutuse eest vastutava isiku järelevalve all või juhul, kui neid on juhendatud seadet ohutult kasutama ja nad mõistavad sellega kasutamisega kaasneva võimalikku ohtu.
- Lapsed ei tohi seadmega mängida. Lapsed ei tohi ilma vanemate järelevalveta seadet puhastada ega hooldustööd teha.
- Seade on ettenähtud kasutamiseks ainult kodumajapidamises.
- Seadme tööpinge on 220-240 V ~50 Hz.
- Seadme toitejuhtmel on kaitsemaandatud pistik. Toitejuhtme pistik tuleb sisestada kaitsemaandatud pistikupesasse.
- Elektriühendusi tohib teha ainult vastava väljaõppega elektrik.
- Vastasel juhul ei pruugi seade nõuetekohaselt töötada, võib saada kahjustada ning põhjustada õnnetusi.
- Jälgige, et toitejuhe ei jääks paigaldamise ajal millegi vahele kinni ja et seda ei surutaks kokku. Toitejuhet ei tohi paigutada pliidi lähedale. Vastasel juhul võib toitejuhe sulama hakata ja põhjustada tulekahju.
- Ärge ühendage pistikut pesa enne, kui seade on oma kohale paigaldatud.
- Jälgige, et pistikule oleks lihtne juurde pääseda, et hädaolukorras saaks selle kiiresti pesast välja tõmmata.
- Ärge puudutage lampe, kui need on pikemat aega põlenud. Võite saada põletada, sest lambid on kuumad.
- Köögiõhupuhastid on mõeldud kasutamiseks tavapärase kodumajapidamise tingimustes. Muul otstarbel kasutamisel võivad need katki minna ja sel juhul garantiit enam ei kehti.
- Järgige pädevate asutuste eeskirju õhu väljatõmbe kohta (see hoiatus ei kehti ilma lõõrita kasutamise korral).
- Ärge valmistage seadme all toitu, mis võib süttida.
- Lülitage seade tööle kohe pärast keedunõu, panni jms asetamist pliidile. Vastasel juhul võib kuumus seadme osi kahjustada, nii et need moonduvad.

1 Olulised ohutus - ja keskkonnaalased juhised

- Enne keedunõu, panni vms võtmist pliidilt lülitage seade välja.
- Ärge laske kuumal õlil pliidile minna. Kuuma õliga pannid võivad isesüttida.
- Pöörake tähelepanu kardinatele ja katetele, sest näiteks friikartulite valmistamisel võib õli põlema minna.
- Vahetage filtreid õigeaegselt. Filtrid võivad aja jooksul õliga saastuda ja põlema süttida.
- Ärge kasutage filtri sees materjale, mis ei ole tulekindlad.
- Ärge kasutage seadet ilma filtrita ja ärge eemaldage filtreid, kui seade töötab.
- Tulekahju korral eemaldage õhupuhasti ja pliit vooluvõrgust. (Tõmmake seadme pistik pesast välja või lülitage seade pealülitist välja).
- Kui seadet regulaarselt ei puhas-tata, võib tekkida tulekahju.
- Enne hooldustöid tõmmake seadme pistik pesast välja. (Tõmmake seadme pistik pesast välja või lülitage seade pealülitist välja).
- Negatiivne surve keskkonnas ei tohi ületada 4 Pa (4 x 10 baari), kui kasutate üheaegselt elektripliidi õhupuhastit ja seadmeid, millel on muu toiteallikas kui elekter.
- Seadme kasutuskeskkonnas peab õli- või gaasiseadmete väljatõmbeõhk olema täielikult isoleeritud või seade peab olema hermeetilist tüüpi.
- Kasutage lõõri ühendamiseks 120-150 mm läbimõõduga torusid. Toruühendus peab olema võimalikult lühike ning sellel peab olema minimaalselt torupõlvi.
- Lapsed ei tohi seadmega mängida.
- Ohutuse tagamiseks kasutage "MAX 6 A" kaitsset.
- Hoidke pakkematerjalid lastele kättesaamatult, sest need võivad olla lastele ohtlikud.
- Ohtude vältimiseks peab defektse toitejuhtme välja vahetama tootja, volitatud teenindus või samaväärse väljaõppega isik.
- Tulekahju korral tõmmake seadme pistik pesast välja, lülitage õhupuhasti ja pliit välja ja katke leegid. Ärge kunagi kasutage kustutamiseks vett.
- Töötavate seadmete juurdepääsetavad osad võivad minna kuumaks.
- Seade ei ole mõeldud kasutamiseks piiratud füüsiliste, sensorsete või vaimsete võimetega inimestele (kaasa arvatud lastele)

1 Olulised ohutus - ja keskkonnaalased juhised

või isikutele, kellel puuduvad selleks kogemused või teadmised, välja arvatud juhul, kui nende ohutuse eest vastutav isik seadme kasutamisel nende järele vaatab või neid juhendab.

- Seadme ja elektripliidi vahele peab pärast paigaldamist jääma vähemalt 65 cm.
- Õhupuhasti äratõmmet ei tohi ühendada õhukanalitega, milles liigub ka muud suitsu.
- Juhul, kui õhupuhastit kasutatakse koos seadmetega, mis kasutavad õhku ja kütust (nt kütteseadmed; veesoojendid, mida kasutatakse gaasi, diiselkütuse, söe või puuküttega), tuleb olla ettevaatlik. See võib põlemisele ebasoodsalt mõjuda, sest õhupuhasti tõmbab ruumis oleva õhu välja.
- See hoiatus ei kehti ilma lõõrita kasutamise korral.
- Tagage piisav ventilatsioon, kui elektripliidi õhupuhastit kasutatakse koos seadmetega, mis kasutavad õhku ja kütust (see ei kehti seadmete kohta, mis ainult õhku ruumi tagasi tõmbavad).

1.1 WEEE-direktiivi täitmine ja kasutuks muutunud seadmete kõrvaldamine



See toode ei sisalda kahjulikke ega keelatud aineid, mis on toodud Keskkonna ja linnaplaneerimisministeeriumi koostatud "Elektri- ja elektroonikajätmete seire eeskirjas". Seade vastab WEEE-eeskirjadele. See toode on valmistatud kvaliteetsetest materjalidest ning osadest, mida on võimalik ümber töödelda ning uuesti kasutada. Ärge visake kasutuskõlbatuks muutunud seadet tavalise majapidamisprügi hulka. Kasutuselt kõrvaldatud seade tuleb viia vastasse elektri- ja elektroonikaseadmete kogumispunkti. Teavet kogumispunktide kohta saate kohalikust omavalitsusest. Aidake säästa keskkonda ja loodusressursse, suunates kasutatud tooted taaskasutusse.

1.2 Seadme pakend



Seadme pakend on valmistatud übertöödeldavatest materjalidest. Kõrvaldage need materjalid kasutuselt vastavalt kehtivatele eeskirjadele, et kaitsta keskkonda ja suunata materjalid ümbertöötlemisse.

1 Olulised ohutus - ja keskkonnavalased juhised

1.3 Oht elule Mürgistusohht



Pilt. 1: Mürgistusohht



Pilt. 2: Mürgistusohht



OHT! **Hoiatus! Lämpumisoht!**

Pakkematerjalid on lastele ohtlikud. Ärge lubage lastel pakkematerjalidega mängida.



OHT! **Hoiatus! Eluohtlik!**

Hajutatud põlemisgaasid võivad põhjustada mürgistuse. Kasutamiseks koos õhu väljalaskeavaga ärge kasutage seadet samaaegselt seadmetega, mis väljutavad mürgiseid gaase (nagu õhuringlusega ahjud, mis töötavad gaasi, õli, puidu või kivisöega, vanniahjud, veesoojendid jms), välja arvatud juhul, kui on tagatud piisav õhuvool. Pilt 3

Õhuringlusega seadmed (nt seadmed, mida kasutatakse gaasi, õli, puidu või kivisöega, vanniahjud, veesoojendid) tõmbavad paigalduskohast õhku välja ja väljastavad heitgaase läbi heitgaasisüste-

emi (nt lõõr). Seade tõmbab kasutamise ajal õhku sisse köögist ja kõrvalruumidest. Kui õhku pole piisavalt, võib tekkida vaakum. Sel juhul tõmmatakse mürgised gaasid lõõrist ja heitgaasitorust tagasi teie kodumajapidamise ruumidesse. Pilt 1

Seetõttu tuleb alati tagada piisav puhta õhu juurdevool. Pilt 2

HOIATUS! **Tulekahju oht!**

Õlifiltrisse kogunenud õli võib süttida. Puhastage õlifiltrit vähemalt kord kuus. Ärge kasutage seadet ilma õlifiltrita. Puhastage söefiltrit vähemalt iga kolme kuu tagant.

Õlifiltrisse kogunenud õli võib süttida. Ärge kasutage seadme lähedal lahtist tuld (nt flambeerimine vms). Seadme tohib paigaldada ainult tahke küttega (nt puit või süsi) küttekeha lähedale, tingimusel, et sellel on olemas suletav kate, mida ei saa eemaldada. Küttekeha ei tohi põhjustada sädemete teket.

Köögiviljade praadimisel õlis või rasvas võib kergesti tekkida tulekahju. Sel juhul tuleb olla eriti tähelepanelik. Ärge proovige tulekahju veega kustutada.

Lülitage pliit välja. Katke leegid ettevaatlikult kaane, tulekustutusteki või sarnase esemega.



1 Olulised ohutus - ja keskkonnavalused juhised



Gaasipliidid, millel ei ole keedunõusid, lähevad töötamise ajal väga kuumaks. Seetõttu võib pliidi kohale paigaldatud ventilatsiooniseade saada kahjustada või põlema minna. Kasutage gaasipliiti ainult koos keedunõudega.

Üheaegselt rohkem kui ühe gaasipliidi kasutamise korral võib tekkida suur kuumus. Seetõttu võib pliidi kohale paigaldatud ventilatsiooniseade saada kahjustada või põlema minna. Ärge kasutage üheaegselt kaht gaasipliiti suurel leegiseadistusel kauem kui 15 minutit. Üle 5 kW võimsusega põleti (Wok) on võrdväärne kahe gaasita-semlega põletiga.

HOIATUS! Elektrilöögi oht!

Rikkis seade võib põhjustada elektrilöögi. Ärge kasutage rikkis seadet. Tõmmake selle pistik pesast välja või lülitage kaitse kaitsmekapist välja. Helistage klienditeenindusse.



Juhiseid eirates tehtud remont on ohtlik. Seadet tohib remontida ja katkiseid elektrijuhtmeid tohib vahetada ainult meie ettevõtte klienditeeninduskeskuste tehnik. Tõmmake seadme pistik pesast välja või lülitage kaitse kaitsmekapist välja. Helistage klienditeenindusse.

Seadmesse sattuv vesi võib põhjustada elektrilöögi. Ärge kasutage kõrgsurve- või aurupuhastus-seadmeid.

OHT! Vigastusoht!

Paigaldamise ajal võivad teravad servad põhjustada vigastuse. Kasutage seadme paigaldamise ajal alati kaitsekindaid.



Kõik transpordipoldid ja turvakatted tuleb paigaldada vastavalt kasutusjuhendis toodud juhistele, et vältida seadme ümberkukkumist.

Seadmele asetatud esemed võivad alla kukkuda. Ärge asetage midagi seadme peale.

LED-tuli on väga ere ja võib kahjustada silmi (ohuklass 1). Ärge vaadake otse sisselülitatud LED-tule poole kauem kui 100 sekundit.

ETTEVAATUST!



Seadme juurdepääsetavad osad võivad pliidi kasutamise ajal kuumaks minna.



Kui seadme remontimisel ei ole järgitud kehtivaid juhiseid, lülitage kaitse välja või tõmmake seadme pistik pesast välja. Seadet tohib remontida ainult volitatud klienditeeninduses või volitatud edasimüüjate juures.

Kui seadme remontimisel ei ole järgitud kehtivaid juhiseid, lülitage kaitse välja või tõmmake seadme pistik pesast välja. Seadet tohib remontida ainult volitatud klienditeeninduses või volitatud edasimüüjate juures.

1 Olulised ohutus - ja keskkonnavalused juhised

OHT! Põletusohu! Elektrilöögi ohu!

Enne puhastamist ja hooldustöid laske seadmel jahtuda. Lülitage kaitse välja või tõmmake seadme pistik pesast välja.

Niiskuse sattumisel seadme elektroonilistesse komponentidesse võib seade saada kahjustada. Ärge puhastage juhtnuppe niiske lapiga!

Valest puhastamisest tulenev pinna kahjustamise oht. Puhastage roostevabast terasest pindu ainult harjamise suunas. Ärge kasutage roostevabast terasest pindade puhastamiseks mõeldud vahendit juhtnuppude puhastamiseks.

Abrasiivsed või kummist puhastusvahendid võivad pinda kahjustada. Ärge kunagi kasutage abrasiivseid või kummist puhastusvahendeid.



ETTEVAATUST!

Roostekahjustuse oht. Kondensatsioonivee tekkimise vältimiseks lülitage seade alla enne toiduvalmistamist tööle. Kondensatsioonivesi võib põhjustada roostekahjustusi. Vahetage rikkis lambid kohe, et vältida ülejäänud lampide ülekuumenemist. Niiskuse sattumisel seadme elektroonilistesse komponentidesse võib seade saada kahjustada. Ärge puhastage juhtnuppe niiske lapiga! Valest puhastamisest tulenev pinna kahjustamise oht. Puhastage roostevabast terasest pindu ainult harjamise suunas. Ärge kasutage roostevabast terasest pindade puhastamiseks mõeldud vahendit juhtnuppude puhastamiseks. Abrasiivsed või kummist puhastusvahendid võivad pinda kahjustada. Ärge kunagi kasutage abrasiivseid või kummist puhastusvahendeid. Kondensatsioonivee tagasivool võib seadet kahjustada. Paigaldage õhu väljalaskelõõr 1° kallakuga, veeidi seadme poole kaldu.



ETTEVAATUST!

Seadet saab kasutada õhu väljatõmberežiimis ja õhuringlusrežiimis.



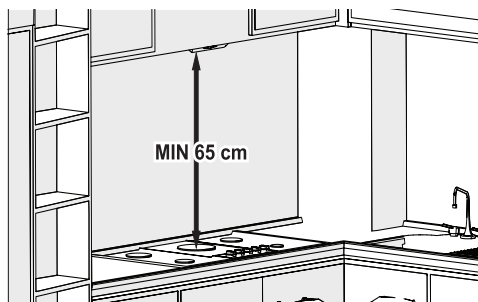
Õhu väljatõmberežiim

Seadmesse tõmmatud õhk puhastatakse õlifilrites ja väljutatakse torude kaudu. (Pilt 3) Kui soovite, et heitõhk tõmmataks suitsu- või heitgaasi lõõri, peate selleks saama volitatud lõõripuhastusspetsialisti loa. Heitõhu suunamisel läbi välisseina tuleb kasutada teleskoopseinaseadet.



3 Seadme paigaldamine ja kasutamine

3.1 Seadme paigutamine



- Enne paigaldamist tuleks tähelepanu pöörata pliidi ja õhupuhasti vahemaale. See peaks olema 65 cm.
- Mõõtmine tuleb teha gaasipliitide grillipinnalt ja elektripliitide klaaspinnalt.



Seade on eriti energiasäästlik. Siit leiame mõned nõuanded, kuidas seadme kasutamise ajal rohkem energiat säästa ja kuidas seadet nõuetekohaselt kasutuselt kõrvaldada.

3.2 Energia säästmine;

- Tagage piisav õhu sissevõtmine, et seade töötaks tulemuslikult ja vähese müraga.
- Seadistage ventilaatori tase vastavalt aurutihedusele köögis. Kasutage kõige kõrgemat taset ainult vajaduse korral. Madalama ventilaatoritase korral on energiakulu väiksem.
- Kui eeldatakse, et kööki tekib tihe suits, valige juba eelnevalt kõrgem ventilaatoritase. Köögis juba levinud suitsu eemaldamiseks on vaja õhupuhasti pikemaks ajaks tööle lülitada.
- Kui te seadet enam ei kasuta, siis lülitage see välja.
- Puhastage või vahetage filtrit kasutusjuhendis toodud vahemiku tagant, sest nii on ventilatsi-

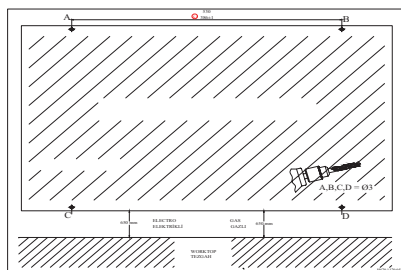
oon tulemuslikum ja tulekahju oht kõrvaldatud.

3.3 Seadme paigaldamine



ETTEVAATUST!

Kasutage aukude puurimise ja lõikamistööde ajal kaitsekindaid ja -prille.

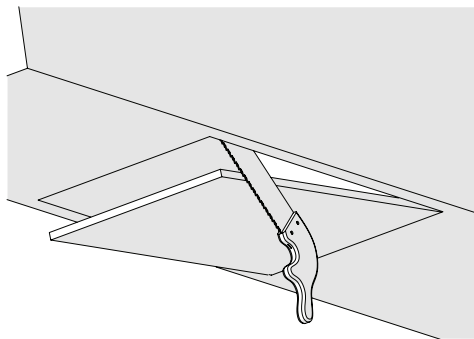


Pilt 6

Kinnitusavade puurimine

- Asetage seadmega kaasas olev paigaldusšabloon pinnale, kuhu kavatsete seadet paigaldada.
- Puurige paigaldusšablooni A, B, C ja D tähistuste juurde augud, kasutades selleks $\varnothing 4$ mm puuriotsakut. Pilt 6

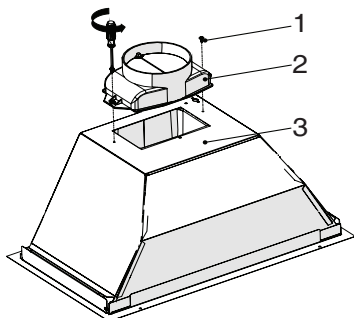
Pilt 7



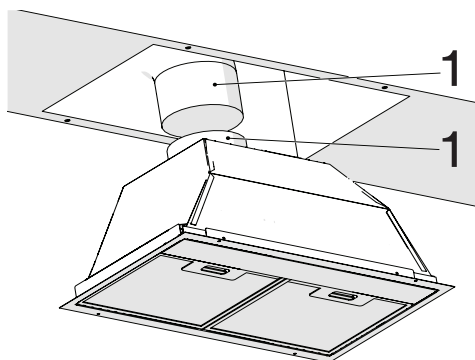
3 Seadme paigaldamine ja kasutamine

- Lõigake köögikapi alumine pind, kuhu õhupuhasti paigaldatakse, tehnilisel joonisel täpsustatud mõõtmetesse (pilt 7).

Pilt 8



1. 3,5 x 9,5 kruvi
 2. Ø 120 mm plastlõõr
 3. KorpusKlapp Varras Pesa
- Kinnitage pakendis olev plastlõõr seadme korpuse külge, kasutades selleks kaht kruvi (3,5 x 9,5). (Pilt 8) Ärge hõõruge seda vastu pinda. Pilt 8



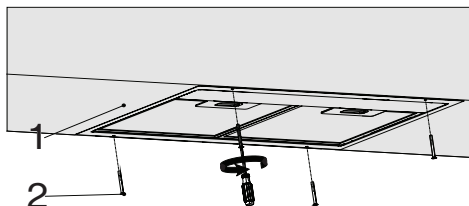
Pilt 9

1. Õhu väljatõmbetoru
 2. Õhupuhasti õhu väljatõmbelõõr
- Kinnitage õhu väljatõmbetoru õhu väljatõmbelõõri külge, kasutades selleks klambrit (pilt 9).

ETTEVAATUST!



Alumiiniumtoru pöörangud ja põlved põhjustavad õhu väljatõmbevõimsuse vähenemise ning seetõttu tuleb nende kasutamist vältida.

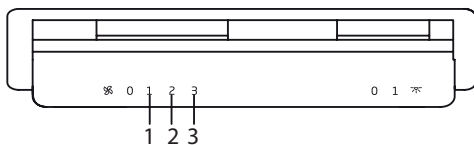


Pilt 10

1. Köögikapi altvaade
 2. 4 X 3,9 X 32 õhupuhasti paigaldamise kruvi
- Asetage õhupuhasti köögikapi ja kinnitage see nelja eelnevalt puuritud kinnitusavasse (pilt 10).

3.4 Seadme kasutamine

3.4.1 Päästiklüliti kasutamine



- Lambi väljalülitamiseks viige lambi lüliti asendisse '0'.
- Lambi sisselülitamiseks viige lambi lüliti asendisse '1'.
- Mootori väljalülitamiseks viige mootori lüliti asendisse '0'.
- Mootorit saab kasutada kiirusel 1-3 vastavalt köögis oleva auru hulgate.

3 Seadme paigaldamine ja kasutamine

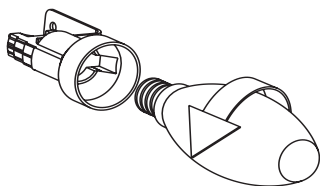
3.5 Lambi vahetamine

3.5.1 Lambipirni vahetamine



HOIATUS!

Tõmmake seadme pistik pesast välja. Kuumad lambid võivad käsi põletada, seega oodake, kuni lambid on jahtunud.



Pilt 11: Lambipirni vahetamine

- Eemaldage alumiiniumist filtrikassett. Eemaldage rikkis lamp ja asendage see samaväärsega. Pilt 11



MÄRKUS:

Kui seade läheb rikki või saab kahjustada, lülitage kaitse välja või tõmmake pistik pesast välja ja helistage klienditeenindusse.



MÄRKUS:

Kahjustada saanud toitejuhtme peab ohu vältimiseks välja vahetama tootja, klienditeeninduskeskus või vastava väljaõppe saanud tehnik.



MÄRKUS:

Kui seadme lambid on defektsed, lülitage kaitse välja või tõmmake pistik pesast välja. Vahetage rikkis lambid kohe, et vältida ülejäänud lampide ülekuumenemist (enne vahetamist oodake, kuni lambid on jahtunud).

4 Puhastamine ja hooldustööd



Seadmesse tõmmatud õhk puhastatakse õlifiltrites ja aktiivsöefiltris ning suunatakse kööki tagasi. Pilt 4

MÄRKUS!



Heitõhku ei tohiks tõmmata suitsu- ega heitgaasi lõõri ega lõõri, mida kasutatakse muude ruumide ventileerimiseks, kuhu on paigaldatud küttekehad.



Lõhna tekitavate materjalide neutraliseerimiseks õhuringlusrežiimis peaksite paigaldama aktiivsöefiltri. Pidage nõu volitatud edasimüüjaga, et saada teada erinevate võimaluste kohta seadme kasutamiseks õhuringlusrežiimis. Vajalikke tarvikuid saate osta kauplustest, volitatud teenindusosijate käest või veebipoest.

Seade sobib kasutamiseks süsinikfiltriga. Süsinikfiltri paigaldamiseks;

- 1- Asetage süsinikfilter oma korpusesse. Pilt 15/1
- 2- Keerake süsinikfiltrit päripäeva veendumaks, et see on tihedalt sisestatud. Pilt 15/2



Res.13



Res.14



Res.15



Valesti paigaldatud süsinikfilter võib alla kukkuda ja seadet kahjustada.



ETTEVAATUST!

Süsinikfiltreid ei tohi pesta. Hoidke süsinikfiltrid lastele kättesaamatuks.



ETTEVAATUST!

Lapsed tohivad seadet puhastada ja hooldustööd teha ainult järelevalve all.

- Abrasiivsed või kummist puhastusvahendid võivad pinda kahjustada. Ärge kunagi kasutage abrasiivseid või kummist puhastusvahendeid. Ostke sobivaid puhastusvahendeid ja kaitsematerjale vaid volitatud klienditeeninduskeskustest. Seadme ja juhtnuppude pind on kriimustustele tundlik.
 - Puhastage seadme pealispindu pehme niiske lapi, nõudepesuvahendi või õrnatoimelise aknapuhastusvahendiga. Kuivanud mustust saab eemaldada niiske lapiga pehmendades. Ärge kriimustage pinda!
 - Ei sobi kuivad lapid, kriimustavad nuustikud, hõõrutavad materjalid, liiv ja muud efektiivsed mineraalvett, hapet või kloori sisaldavad puhastusvahendid.
 - Puhastage roostevabast terasest pindu ainult lihvimise suunas.
 - Ärge kasutage roostevaba terase puhastamiseks mõeldud vahendit või märgi lappe juhtnuppude puhastamiseks. Metallist õlifiltri puhastamine Kasutatud metallist õlifiltrid on endasse salvestanud köögis tekkinud niiskuse ja auru olevad õliosakesed. Regulaarse kasutamise korral (1-2 tundi päevas), puhastage metallist õlifiltreid iga kolme kuu tagant.
 - Ärge kasutage kõrvalmõjudega, happelisi ega korrosiivseid puhastusvahendeid.
 - Metallist õlifiltri puhastamiseks kasutage niisket lappi, et puhastada metallist õlifiltri kinnituseadised seadme sees.
 - Metallist õlifiltreid võib pesta nõudepesumasinas või käsitsi.
 - Ärge kandke pihustatavaid puhastusvahendeid vahetult seadmele.
 - Ärge asetage seadme peale tuleohtlikke ega raskeid dekoratiivesemeid.
- ### 4.1 Pesemine nõudepesumasinas
- Nõudepesumasinas pesemise korral võib seadme värv veidi muutuda. See ei mõjuta metallist õlifiltri tööomadusi.

4 Puhastamine ja hooldustööd

- Ärge peske väga saastunud metallist õlifiltreid koos söögiriistadega.
- Asetage metallist õlifiltrid nõudepesumasinasse nii, et need saavad vabalt liikuda. Metallist õlifiltrid tuleb asetada nõudepesumasinasse nii, et need ei kiiluks kinni.

4.2 Käsitsipesu

- Raskestieemaldatava mustuse korral kasutage spetsiaalset õlieemaldusvahendit. Sellist vahendit saate osta volitatud müügikohast.
- Pehmendage metallist õlifiltrit soojas vees, millele on lisatud nõudepesuvahendit.
- Kasutage puhastamiseks harja ja oodake, kuni metallist õlifiltril olev vedelik on ära nõrgunud. Loputage filtreid pärast puhastamist hoolikalt.
- Tehnilisi spetsifikatsioone ja seda kasutusjuhendit võidakse etteteatamata muuta.
- Seade vastab elektri- ja elektroonikaseadmete jäätmete direktiivi järelevalvet käsitlevatele eeskirjadele.
- See õhupuhasti on mõeldud kasutamiseks pliidi kohal. Veenduge, et sein talub seadme kaalu. Seina või köögikapi purustamise, lõikamise ja sarnaste toimingutega seonduvad kulud peaks katma tarbija. Köögiõhupuhastit võib kasutada lõõrisüsteemiga, mis tõmbab õhu välja, või ilma lõõrita (paigaldades süsinikfiltri). Pöörake tähelepanu küsimustele, mis võivad tekkida enne paigaldamist ja paigaldamise ajal. Seadme peab paigaldama volitatud klienditeenindaja. Sellisel klienditeenindajal on ka teadmised ventilatsioonisüsteemist. Seadme eluiga on 10 (kümme) aastat (selle aja jooksul on saadaval seadme tööks vajalikud varuosad).
- Kahjustuste vältimiseks tuleb seadet hoida transportimise ajal originaalpakendis.
- Hoidke seadet käsitlemise ajal tavaasendis.
- Ärge laske seadmel maha kukkuda ja kaitske seda transportimise ajal niiskuse eest. Garantii ei kata rikkeid ega kahjustusi, mis on tekkinud seadme transportimise ajal kliendini.

Lūdzu, vispirms izlasiet šo lietotāja rokasgrāmatu.


Godātais klient!

Paldies, ka izvēlējāties šo "Beko" ierīci. Mēs ceram, ka šis produkts, kas ražots ar jaunāko augstas kvalitātes tehnoloģiju, jums sniegs vislabākos rezultātus. Tādēļ, pirms sākat to lietot, rūpīgi izlasiet visu lietotāja rokasgrāmatu un pārējo dokumentāciju un saglabājiet to lietošanai turpmāk. Ja jūs nododat izstrādājumu citai personai, kopā ar to nododiet arī šo lietotāja rokasgrāmatu. Rīkojieties atbilstoši norādījumiem, ņemot vērā visu lietotāja rokasgrāmatā sniegto informāciju un brīdinājumus.

Atcerieties, ka lietotāja rokasgrāmata var attiekties arī uz citiem modeļiem. Rokasgrāmatā ir skaidri aprakstītas modeļu atšķirības.

Simbolu nozīme

Dažādās šīs rokasgrāmatas nodaļās tiek izmantoti šie simboli:

	Svarīga informācija un noderīgi padomi par lietošanu.
--	---

	UZMANĪBU: Brīdinājumi par bīstamām situācijām, kas saistītas ar apdraudējumu dzīvībai un īpašumam.
--	---

	Brīdinājums par ugunsbīstamību.
--	---------------------------------

	Brīdinājums par elektrošoku.
---	------------------------------



Šis izstrādājums ir ražots videi draudzīgās, mēsdielīgās ražotnēs, neradot kaitējumu dabai.

1 Svarīgi drošības un vides norādījumi

1.1. Vispārēja drošība

- Šo ierīci drīkst lietot bērni no 8 gadu vecuma un personas, kurām ir pietiekamas fiziskās, maņu un garīgās spējas, kā arī atbilstoša pieredze un zināšanas, pie nosacījuma, ka tiek uzraudzītas vai informētas par ierīces drošu lietošanu un ar to saistītajiem riskiem.
 - Bērni nedrīkst spēlēties ar ierīci. Tīrīšanas un apkopes procedūras bērni nedrīkst veikt bez pieaugušo uzraudzības.
 - Šī ierīce ir paredzēta lietošanai mājstaimniecībā.
 - Jūsu ierīces darba spriegums ir 220–240 volti, ~50 Hz.
 - Jūsu ierīces elektrība vadam ir pievienota kontaktdakšīna sazēmēšanai. Šis vads jāpievieno sazēmētai kontaktligzdai.
 - Pievienošana elektrībai jāveic apmācītam profesionālim.
 - Ja uzstādīšanu veic nepiederošas personas, tas var būt par iemeslu ierīces neefektīvai darbībai, ierīces bojājumiem un negadījumiem.
 - Uzstādīšanas laikā jānovērš iespēja saspīest vai iespiest elektrības vadu. Elektrības vadam nevajadzētu atrasties plīts tuvumā. Drošības instrukcijas
- Tādā gadījumā vads var izkust un izraisīt ugunsgrēku.
- Nepievienojiet kontaktdakšīnu strāvai, pirms ierīce ir uzstādīta.
 - Raugieties, lai kontaktdakšīna ir vietā, kur tai var viegli piekļūt, lai bīstamā situācijā atvienotu no strāvas.
 - Nepieskarieties lampām, ja tās ir degušas ilgu laiku. Tās var apdedzināt jūsu rokas, jo ir ļoti karstas.
 - Virtuves tvaiku nosūcējus ražo izmantošanai mājas apstākļos, normālā veidā gatavojot. Ja to izmanto citiem mērķiem, produkts var sabojāties, un garantija nebūs derīga.
 - Rīkojieties atbilstoši kompetento iestāžu noteikumiem par izplūdes gaisa izvadišanu (šis brīdinājums neattiecas, ja ierīci izmanto bez dūmvada).
 - Zem ierīces nevajadzētu gatavot viegli uzliesmojošus ēdienus.
 - Ierīci iedarbiniet pēc tam, kad uz plīts uzlikts katliņš, panna utt. Citādi lielais karstums var deformēt dažas jūsu ierīces daļas.
 - Pirms no plīts noņemat katlu, pannu utt., izslēdziet plīti.
 - Neatstājiet uz plīts karstu eļļu. Pannas ar karstu eļļu var izraisīt

1 Svarīgi drošības un vides norādījumi

pašai aizdegšanos.

- Uzmaniet aizkarus un pārsegi, jo eļļa ēdiena, piemēram, eļļā vārītu kartupeļu gatavošanas laikā var aizdegties.
- Raugieties, lai filtri tiktu laikus nomainīti. Laikus nomainītos filtros var sakrāties eļļa, un tas rada aizdegšanās risku.
- Nelietojiet ugunsnedrošus filtra materiālus filtra vietā.
- Nedarbiniet ierīci bez filtra, neizņemiet filtrus, kamēr ierīce darbojas.
- Aizdegšanās gadījumā atvienojiet tvaiku nosūcēju un gatavošanas ierīces no strāvas. (Atvienojiet kontaktdakšīņu no strāvas vai izslēdziet galveno slēdzi).
- Ja periodisko tīrīšanu neveic kā nākas, pastāv aizdegšanās risks.
- Pirms veicat apkopes darbus, atvienojiet ierīci no strāvas. (Atvienojiet kontaktdakšīņu no strāvas vai izslēdziet galveno slēdzi).
- Darbinot tvaiku nosūcēju vienlaikus ar elektrisko plīti un ierīcēm ar citu enerģijas avotu, telpas negatīvajam spiedienam nevajadzētu pārsniegt 4 Pa (4 x 10 bar).
- Telpā, kurā izmanto ierīci, ierīcēm, kuras darbina ar degvielu vai gāzi, piemēram, sildītājiem, jābūt absolūti izolētiem, vai ierīcei jābūt hermētiskai.
- Pievienojot dūmvadam, izmantojiet 120 vai 150 mm diametra caurules. Caurules savienojumam ir jābūt pēc iespējas īsākam ar iespējami mazāko līkumu skaitu.
- Bērni nedrīkst spēlēt ar ierīci.
- Jūsu drošības dēļ nosūcēja komplektam izmantojiet drošinātāju "MAX 6 A".
- Sargājiet no bērniem iepakojuma materiālus, jo tie var bērnus apdraudēt.
- Ja elektrības vads ir bojāts, tā nomaiņa jāveic ražotājam, pakalpojumu sniegšanas pārstāvim vai līdzīgas kvalifikācijas speciālistam, lai izvairītos no riska.
- Aizdegšanās gadījumā atvienojiet tvaiku nosūcēju un plīti no strāvas, nosedziet liesmas. Uguns dzēšanai nekad neizmantojiet ūdeni.
- Darbinot gatavošanas ierīces, to sasniedzamās daļas var būt karstas.
- Šo ierīci nav paredzēts lietot personām (tostarp bērniem) ar ierobežotām fiziskām, sensorām

1 Svarīgi drošības un vides norādījumi

un prāta spējām, vai tādām, kam nav atbilstošas pieredzes un zināšanu, ja vien par drošību atbildīgā persona viņus uzrauga un instruē par ierīces lietošanu.

- Kad tvaika nosūcēja uzstādīšana virs elektriskās plīts ir pabeigta, starp ierīci un elektrisko plīti jābūt vismaz 65 cm attālumam.
- Nosūcēja izvadu nedrīkst pievienot gaisa kanāliem, pa kuriem plūst citi dūmi.
- Jāuzmanās, lietojot ierīci vienā telpā ar iekārtām, kuras izmanto gaisu un kurināmo (piem., sildītāji, ūdens apkures katli, kurus darbina ar gāzi, dīzeļdegvielu, akmeņoglēm, malku, vai ūdens sildītāji). Tas var traucēt sadegšanu, jo tvaika nosūcējs gaisu izvada ārpus telpas.
- Šis brīdinājums neattiecas uz ierīcēm, kuras lieto bez dūmvada.
- Ja elektriskās plīts tvaika nosūcēju (tas neattiecas uz ierīcēm, kuras gaisu izvada atpakaļ telpā) lieto vienlaikus ar iekārtām, kuras darbina ar gāzi vai citiem kurināmajiem, telpā var nebūt pietiekama ventilācija.

1.1. Atbilstība EEIA direktīvai un izstrādājuma apsaimniekošanas noteikumiem:



Šis produkts nesatur kaitīgus vai aizliegtus materiālus, kuri minēti Vides un urbanizācijas Ministrijas izdotajos "Noteikumos par elektrisko un elektronisko iekārtu atkritumu pārraudzību". Atbilst EEIA regulas prasībām. Šis produkts ir izgatavots no kvalitatīvām detaļām un materiāliem, kurus var atkārtoti pārstrādāt un izmantot. Tādēļ neizmetiet šo ierīci, kad tā beigusi kalpot, kopā ar sadzīves un citiem atkritumiem. Nogādājiet to savākšanas vietā, kurā tiek pieņemtas elektriskās un elektroniskās iekārtas otrreizējai izejvielu pārstrādei. Jautājiet vietējā pašvaldībā par atkritumu savākšanas punktiem jūsu apkārtnē. Palīdziet aizsargāt apkārtējo vidi un dabas resursus, atkārtoti pārstrādājot lietotus izstrādājumus.

1.2. Ierīces iepakojums



Jūsu ierīces iepakošanai izmantotajiem materiāli ir atkārtoti pārstrādājami. Lūdzu, nodrošiniet iepakojuma materiālu nodošanu atkritumos atbilstoši vietējiem noteikumiem, lai materiāli tiktu atkārtoti pārstrādāti, aizsargājot vidi.

1 Svarīgi drošības un vides norādījumi

1.3. Draudi dzīvībai Risks saindēties



att. 1: Risks saindēties



att. 2: Risks saindēties



BĪSTAMI! **Brīdinājums -** **nosmakšanas risks**

Iepakojuma materiāli ir bīstami bērniem. Neļaujiet bērniem spēlēties ar iepakojuma materiāliem.



BĪSTAMI! **Brīdinājums - bīstami** **dzīvībai**

Ielpojot sadegšanas gāzes, rodas apdraudējums dzīvībai - risks saindēties. Gaisa izvadu nelietojiet ierīci vienlaikus ar iekārtām, kuras izdala indīgas gāzes, piemēram, krāsnis ar gaisa cirkulāciju, kuras darbina ar gāzi, petroleju, malku vai kokogļēm, vannu krāsnīm, ūdens sildītājiem utt., ja netiek pievadīts pietiekami daudz gaisa. Att. 3

Iekārtas ar gaisa cirkulāciju (piem., krāsnis, kuras darbina ar gāzi, petroleju, malku vai kokogļēm, vannas krāsnis, ūdens sildītāji) patērē gaisu no uzstādīšanas telpas un izvada dūmgāzes izvadsistēmā (piem., dūmvadā). Darbināšanas laikā ierīce iesūc gaisu no virtuves un līdzās esošajām telpām. Vakuums veidojas tad, ja netiek pievadīts pietiekami daudz gaisa. Tādā gadījumā indīgās gāzes tiek iesūktas atpakaļ no dūmvada un izplūdes gaisa kanāla, un atgriežas atpakaļ mājoklī. Att. 1.

Šī iemesla dēļ vienmēr jānodrošina tas, ka tīrs gaisss vienmēr tiek pievadīts pietiekamā daudzumā. Att. 2

BRĪDINĀJUMS! **Aizdeģšanās risks!**

Tauku nosēdumi eļļas filtrā var aizdegties. Tīriet eļļas filtru vismaz vienreiz mēnesī. Nedarbiniet ierīci bez tauku filtra. Tīriet ogļu filtru vismaz vienreiz trijos mēnešos.

Tauku nosēdumi eļļas filtrā var aizdegties. Ierīces tuvumā nekad nedarbojieties ar atklātu liesmu (piem., flambējot). Ierīci ir atļauts uzstādīt līdzās tādai apkures iekārtai, kuru kurina ar cieto kurināmo (piem., malku vai akmeņogļēm), ja virs ierīces ir noslēgts pārsegs, kuru nevar noņemt. Nevajadzētu radīt dzirksteles.

Karsta augu eļļa un tauki var viegli aizdegties. Karsta augu eļļa un tauki vienmēr jāuzmana. Nemēģiniet liesmas nodzēst ar ūdens palīdzību.

Izslēdziet plīti. Uzmanīgi nosedziet liesmas ar vāku, ugunsdzēsības segu vai līdzīgu priekšmetu.



1 Svarīgi drošības un vides norādījumi



Gāzes plītis, uz kurām nav gatavošanas trauku, darbības laikā rada lielu karstumu. Tādēļ virs plīts novietota ventilēšanas ierīce var sabojāties vai apdegt. Gāzes plīti iedeziet tikai tad, ja uz tās ir gatavošanas trauks.

Darbinot vienlaikus vairāk par vienu gāzes degli, rodas liels karstums. Tādēļ virs plīts novietota ventilēšanas ierīce var sabojāties vai apdegt. Nedarbiniet divus gāzes degļus ar lielu liesmu ilgāk par 15 minūtēm. Degļa, kura jauda pārsniedz 5 kW (Vok), jauda atbilst deglim ar diviem gāzes gredzeniem.

BRĪDINĀJUMS! **Elektriskās strāvas trieciena risks!**

Bojāta ierīce var izraisīt elektriskās strāvas triecienu. Nelietojiet bojātu ierīci. Atvienojiet to no strāvas vai izslēdziet drošinātāju drošinātāju kārbā. Izsauciet klientu apkalpošanas dienestu.

Remonts, kas netiek veikts saskaņā ar instrukciju, rada apdraudējumu. Remontu un bojātu elektrības vadu nomaiņu vajadzētu veikt tikai klientu apkalpošanas dienesta speciālistam, kurš apmācīts mūsu uzņēmumā. Ja ierīce ir bojāta, atvienojiet to no strāvas vai izslēdziet drošinātāju drošinātāju kārbā. Izsauciet klientu apkalpošanas dienestu.

Ierīcē ieplūdis ūdens var izraisīt elektriskās strāvas triecienu. Nedrīkst izmantot augstspiediena vai tvaika tīrītājus.



BĪSTAMI! **Risks savainoties!**

Uzstādīšanas laikā pastāv risks savainoties, jo ierīcei ir asas malas. Uzstādot ierīci, vienmēr lietojiet aizsargcimdus.

Visas drošības skrūves un drošības pārsegi jāuzstāda atbilstoši norādījumiem lietotāja rokasgrāmatā, citādi pastāv risks, ka ierīce nokritīs.

Uz ierīces novietoti priekšmeti var nokrist. Nelieciet nekādus priekšmetus uz ierīces.

LED apgaismojums ir pārāk spožs. Tas var kaitēt jūsu acīm (1. bīstamības grupa) Neskatieties tieši ieslēgtā LED lampā ilgāk par 100 sekundēm.



UZMANĪBU!

Aizsiedzamās daļas var sakarst, kad darbina gatavošanas aprīkojumu.

1 Svarīgi drošības un vides norādījumi



Ja remonts nav veikts pareizi vai ir veikts neatbilstoši noteikumiem, lūdzu, izslēdziet drošinātāju vai atvienojiet ierīces kontaktdakšīņu no strāvas. Remontu drīkst veikt tikai pilnvarots tehniskās apkopes darbinieks vai pilnvarots pieredzējis speciālists.

Ja remonts nav veikts pareizi vai ir veikts neatbilstoši noteikumiem, lūdzu, izslēdziet drošinātāju vai atvienojiet ierīces kontaktdakšīņu no strāvas. Remontu drīkst veikt tikai pilnvarots tehniskās apkopes darbinieks vai pilnvarots pieredzējis speciālists.



BĪSTAMI! **Risks apdedzināties,** **elektriskās strāvas** **trieciena risks!**

Pagaidiet, līdz ierīce atdziest, pirms veicat tīrīšanu vai apkopi. Izslēdziet drošinātāju vai atvienojiet ierīces kontaktdakšīņu no strāvas.

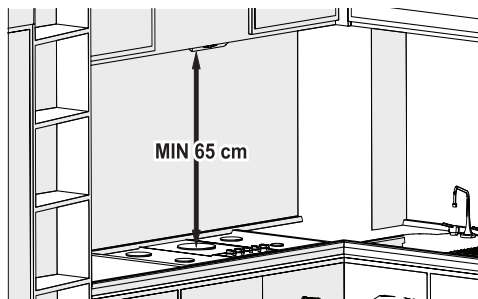
Ja mitrums iekļūst elektronikas daļā, rodas risks sabojāt ierīci. Nekad netīriet vadības pogas ar slapju lupatu.

Nepareizi tīrot, virsmu var sabojāt. Nerūsējošā tērauda virsmas tīriet tikai šķiedras virzienā. Vadības pogām nelietojiet līdzekļus nerūsējošā tērauda kopšanai.

Virsmu var sabojāt ar abrazīviem vai skrāpējošiem tīrīšanas līdzekļiem. Nekad nelietojiet abrazīvus vai skrāpējošus tīrīšanas līdzekļus.

3 Ierīces uzstādīšana un lietošana

3.1. Ierīces novietojums



- Pirms uzstādīšanas jāpievērš uzmanība attālumam starp plīti un tvaiku nosūcēju. Attālumam jābūt 65 cm.
- Mērījums jāveic no gāzes plīts restu virsmas vai elektriskās plīts stikla virsmas.



Jūsu jaunā ierīce enerģiju izmanto īpaši efektīvi. Šeit atradīsiet dažus padomus par to, kā, lietojot ierīci, ietaupīt vairāk enerģijas, un par to, kā ierīci pareizi izjaukt.

3.2. Norādījumi enerģijas taupīšanai;

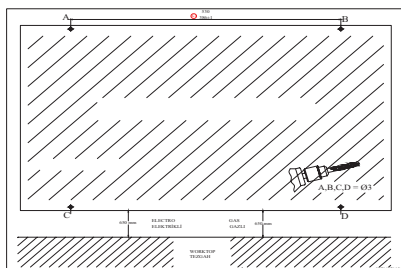
- Lai tvaiku nosūcējs darbotos efektīvi un klusi, nodrošiniet pietiekami daudz pievadītā gaisa.
- Ventilatora ātrumu iestatiet atbilstoši tvaiku daudzumam virtuvē. Augstāko pakāpi izmantojiet tikai tad, kad tas nepieciešams. Izmantojot zemāku ventilatora ātrumu, ir mazāks enerģijas patēriņš.
- Ja paredzams, ka virtuvē būs daudz dūmu, jau iepriekš ieslēdziet lielāku ventilatora ātrumu. Tvaika nosūcējs jādarbina daudz ilgāk, lai atbrīvotos no dūmiem, kuri jau izplatījušies par visu virtuvi.
- Izslēdziet tvaiku nosūcēju, ja to nelietojat.
- Filtrs jātīra vai jānomaina pēc norādītajiem intervāliem, tādējādi paaugstinot ventilēšanas efektivitāti un samazinot aizdegšanās risku.

3.3. Ierīces uzstādīšana



UZMANĪBU!

Veicot urbšanas un zāgēšanas darbus, lietojiet aizsargcimdus un aizsargbrilles.

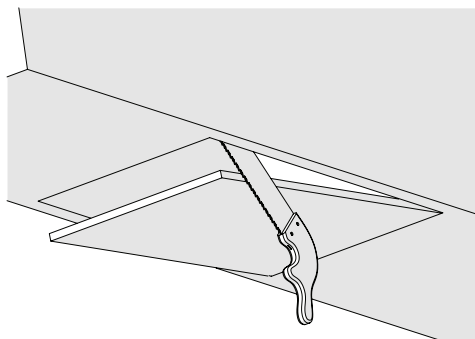


Att. 6

Stiprināšanas caurumu urbšana

- Ierīces komplektam pievienoto uzstādīšanas šablonu uzlīmējiet uz virsmas, pie kuras ierīce tiks uzstādīta.
- Ar $\varnothing 4$ mm urbja uzgali izurbiet uzstādīšanas skicē norādītos caurumus A, B, C, D. Att. 6

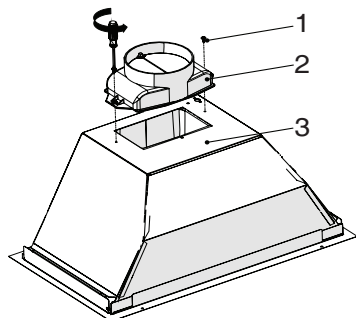
att. 7



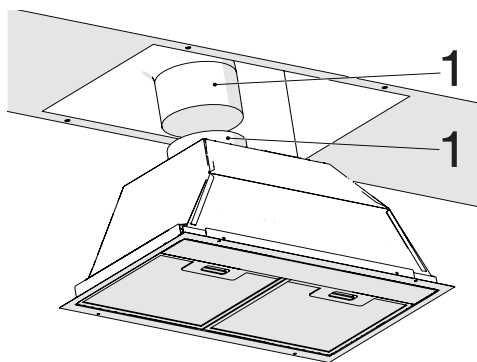
3 Ierīces uzstādīšana un lietošana

- Veiciet izžāģējumu skapīša, kurā tiks uzstādīts tvaika nosūcējs, apakšējā virsmā atbilstoši tehniskajā rasējumā norādītajiem izmēriem. 7

Att. 8



1. 3,5 x 9,5 skrūve
 2. Ø120 mm Plastmasas dūmvads
 3. KorpusVārsts Tapas līgзда
- Komplektam pievienoto plastmasas dūmvadu piestipriniet ierīces korpusam ar 2 3,5 x 9,5 skrūvēm. (att. 8) nesaskrāpējiet ar to ierīces virsmu. Att. 8



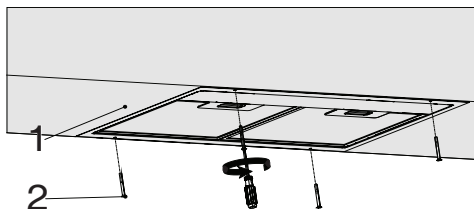
Att. 9

1. Gaisa izplūdes caurule
 2. Tvaika nosūcēja gaisa izplūdes dūmvads
- Gaisa izplūdes cauruli piestipriniet gaisa izplūdes dūmvadam un nostipriniet ar spaili (att. 9).



UZMANĪBU!

Alumīnija caurules līkumi un pagriezieni izraisa gaisa iesūkšanas jaudas samazināšanos, tādēļ pēc iespējas no tiem jāizvairās.

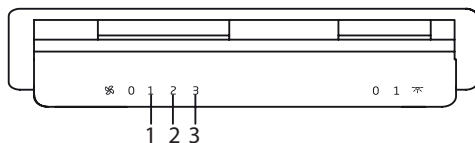


Att. 10

1. Skats uz virtuves skapīti no augšas
 2. 4 X 3,9 X 32 skrūve tvaika nosūcēja uzstādīšanai
- Ievietojiet nosūcēju virtuves skapītī un ieskrūvējiet nosūcēja stiprināšanas skrūves iepriekš izurbtajos 4 uzstādīšanas caurumos. (Att. 10).

3.4. Ierīces lietošana

3.4.1. Pārslēdža lietošana



- Lai izslēgtu lampu, pārslēdziet slēdzi pozīcijā "0".
- Lai ieslēgtu lampu, pārslēdziet slēdzi pozīcijā "1".
- Lai izslēgtu dzinēju, pārslēdziet dzinēja slēdzi pozīcijā "0".
- Atkarībā no tvaiku daudzuma dzinēju var darbināt ar zemāko pirmo ātruma pakāpi vai augstāko trešo ātruma pakāpi.

3 Ierīces uzstādīšana un lietošana

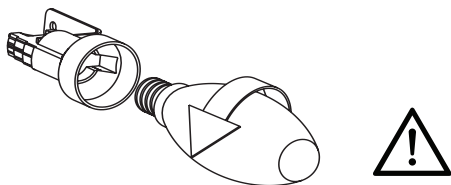
3.5. Spuldzes nomaiņa

3.5.1. Spuldzes nomaiņa



BRĪDINĀJUMS!

Atvienojiet tvaika nosūcēju no strāvas. Karstas spuldzes var jums apdedzināt rokas, tādēļ pagaidiet, līdz tās atdziest.



Att. 11: Spuldzes nomaiņa

- Noņemiet alumīnija filtra kasetni. Izņemiet izdegušo spuldzi un to nomainiet pret spuldzi ar tādiem pašiem parametriem. Att. 11



PIEZĪME.

Ja ierīce salūzt vai tiek bojāta, izslēdziet drošinātāju vai atvienojiet ierīces kontaktdakšīņu no strāvas un izsauciet pilnvarotu tehniskās apkopes pārstāvi.



PIEZĪME.

Ja elektrības padeves vads ir bojāts, tā aizvietošana ir jāveic ražotājam, tā pārstāvim vai līdzīgi kvalificētai personai, lai novērstu bīstamības risku.



PIEZĪME.

Izslēdziet drošinātāju vai atvienojiet ierīces kontaktdakšīņu no strāvas, ja saplīsušas ierīces spuldzes. Nekavējoties nomainiet izdegušas spuldzes, lai citām spuldzēm nebūtu pārslodzes (vispirms apgaidiet, lai spuldzes atdziest).

4. Tīrīšana un apkope



UZMANĪBU!

Rūšas izraisīta bojājuma risks. Gatavošanas laikā vienmēr darbiniet ierīci, lai novērstu kondensāta veidošanos. Kondensāts var izraisīt rūšēšanu. Nekavējoties nomainiet izdegušas spuldzes, lai citām spuldzēm nebūtu pārslodzes. Ja mitrums iekļūst elektronikā daļā, rodas risks sabojāt ierīci. Nekad netīriet vadības pogas ar slapju lupatu. Nepareizi tīrot, virsmu var sabojāt. Nerūsējošā tērauda virsmas tīriet tikai šķiedras virzienā. Vadības pogām nelietojiet līdzekļus nerūsējošā tērauda kopšanai. Virsmu var sabojāt ar abrazīviem vai skrāpējošiem tīrīšanas līdzekļiem. Nekad nelietojiet abrazīvus vai skrāpējošus tīrīšanas līdzekļus. Kondensāta ieplūšana atpakaļ rada risku sabojāt ierīci. Gaisa izplūdes kanālu ierīkojiet 1° leņķī, mazliet uz leju no ierīces.



UZMANĪBU!

Šo ierīci var izmantot gaisa izpūšanas režīmā vai gaisa cirkulācijas režīmā.



Gaisa izpūšanas režīms

Iesūkto gaisu attīra tauku filtrs un izvada caur caurulvadu sistēmu. (att. 3) Ja vēlaties izplūdes gaisu ievadīt nelietotā dūmgāzu vai izplūdes gāzu dūmvadā, jums jāsaņem atļauja no pilnvarota skursteņslaucītāja. Ja izplūstošo gaisu izvada caur āršieni, jāizmanto teleskopiskā sienas kārba.



Iesūkto gaisu attīra tauku filtrs un aktīvās ogles filtrs, un tad tas tiek no jauna ievadīts virtuvē. Att. 4



PIEZĪME.

Izplūdes gaisu nedrīkst ievadīt dūmgāzu vai izplūdes gāzu kanālā vai skurstenī, kuru izmanto tādu telpu ventilēšanai, kurās ir apkures iekārtas.



Lai saistītu vielas, kuras cirkulācijas režīmā gaisā rada smakas, jāuzstāda aktīvās ogles filtrs. Jautājiet pilnvarotajam izplatītājam par dažādām iespējām darbināt ierīci gaisa cirkulācijas režīmā. Šim procesam nepieciešamos piederumus varat iegādāties specializētajos veikalos, no pilnvarotajiem tehniskās apkopes pārstāvjiem vai tiešsaistes veikalā.

Ierīce, kuru iegādājāties, var darboties ar ogles filtru. Ogles filtra uzlikšana

1. Ievietojiet ogles filtru filtra korpusā. Att. 15/1
- 2.- Pagrieziet ogles filtru pulkstenrādītāju kustības virzienā, lai pārliecinātos, ka tas ir cieši iestiprināts. Att. 15/2



Res.13



Res.14



Res.15



Ja ogles filtrs nav kārtīgi iestiprināts, tas var izkrist un sabojāt jūsu ierīci.



UZMANĪBU!

Nekad nemazgājiet ogles filtrus. Ogles filtrus glabājiet bērniem nepieejamā vietā.

4. Tīrīšana un apkope



UZMANĪBU!

Bērni nedrīkst bez uzraudzības veikt ierīces apkopi un tīrīt to.

- Virsmu var sabojāt ar abrazīviem vai skrāpējošiem tīrīšanas līdzekļiem. Nekad nelietojiet abrazīvus vai skrāpējošus tīrīšanas līdzekļus. Pilnvarotā tehniskās apkopes dienestā iegādājieties tīrīšanas līdzekļus un aizsargmateriālus, kuri ir piemēroti jūsu ierīcei. Ierīces un vadības pogu virsma ir jutīga pret skrāpējumiem.
- Šīs virsmas tīriet ar mīkstu, mitru drānu, izmantojot trauku mazgāšanas līdzekli vai maigu stikla tīrīšanas līdzekli. Piekaltušus un pielipušus netīrumus atmieکشējiet ar mitru drānu. Neskrāpējiet tos nost!
- Tīrīšanai nav piemērotas sausas drānas, sūkļi, kuri var skrāpēt, materiāli, ar kuriem jāberž, jāslīpē, kā arī citi spēcīgi tīrīšanas līdzekļi, kuru sastāvā ir minerālūdens, skābes vai hlors.
- Nerūsējošā tērauda virsmas tīriet tikai šķiedras virzienā.
- Vadības iekārtas tīrīšanai neizmantojiet nerūsējošā tērauda tīrīšanas līdzekli vai slapju drānu. Metāla tauku filtru tīrīšana. Lietotos metāla tauku filtrus ir sakrājiet virtuves mītrums un gaisa plūsmas nestās tauku daļiņas. Ja nosūcēju lietojat regulāri (1–2 stundas dienā), metāla tauku filtri jātīra ik pēc 3 mēnešiem.
- Neizmantojiet ļoti spēcīgus, skābi saturošus vai kodīgus tīrīšanas līdzekļus.
- Metāla tauku filtru tīrīšanai lietojiet mitru drānu, noslaukot metāla tauku filtru balstošās daļas ierīces iekšpusē.
- Metāla tauku filtrus var mazgāt trauku mazgājamā mašīnā vai ar rokām.
- Nelietojiet izsmidzināmos tīrīšanas līdzekļus tieši uz ierīces.
- Nenovietojiet viegli uzliesmojošus un / vai smagus dekoratīvos elementus uz ierīces.

4.1. Mazgāšana trauku mazgājamā mašīnā

- Mazgājot trauku mazgājamā mašīnā, var rasties nelielas krāsas izmaiņas. Tas neietekmē metāla

tauku filtra funkcijas.

- Stipri netīrus metāla tauku filtrus nemazgājiet kopā ar traukiem.
- Metāla tauku filtri trauku mazgājamā mašīnā jāievieto vaļīgi vai brīvi. Metāla tauku filtri trauku mazgājamā mašīnā jāievieto neiespīlējot.

4.2. Mazgāšana ar rokām

- Grūti notīrāmu netīrumu tīrīšanai varat izmantot speciālu līdzekli tauku šķīdināšanai. Šādu līdzekli varat iegādāties pilnvarotā pārdošanas vietā.
- Atmieکشējiet metāla tauku filtru karstā trauku mazgāšanas līdzekļa šķīdumā.
- Mazgāšanai lietojiet suku, pagaidiet, līdz šķidrums kārtīgi notek no metāla tauku filtra. Pēc mazgāšanas filtrus rūpīgi izskalojiet.
- Tehniskās specifikācijas un šī rokasgrāmata var tikt mainīta bez iepriekšēja paziņojuma.
- Uz šo ierīci attiecas Elektrisko un elektronisko iekārtu atkritumu pārraudzības noteikumi.
- Šīs tvaiku nosūcējs ir paredzēts izmantošanai virs plīts. Pārlicinieties, ka siena iztur tvaiku nosūcēja svaru. Iesīšanas, izzāģēšanas vai līdzīgas darbības, kuras, uzstādot ierīci, jāveic sienā vai skapī, izmaksas sedz patērētājs. Tvaika nosūcēju var izmantot ar dūmvadu sistēmu, kura izvada gaisu, vai bez dūmvada (ievietojot ogles filtru). Pievērsiet uzmanību vielām, ar kurām ierīce var saskarties pirms uzstādīšanas vai tās laikā. Uzstādīšanu veic autorizēts servisa personāls. Uzstādīšanu drīkst veikt pilnvarots speciālists, kuram ir zināšanas par ventilāciju. Rūpniecības ministrijas noteiktais ierīces kalpošanas ilgums (laiks, kurā ir pieejamas rezerves daļas ierīces funkciju nodrošināšanai) ir 10 (desmit) gadi.
- Jūsu ierīce transportēšanas laikā ir jāglabā oriģinālajā iepakojumā, lai to nesabojātu.
- Ierīci glabāšanas un transportēšanas laikā glabājiet normālā pozīcijā.
- Nenometies ierīci zemē un sargājiet to no bojājumiem transportēšanas laikā. Garantija neattiecas uz darbības traucējumiem un bojājumiem, kuri radušies transportēšanas laikā pēc ierīces nogādāšanas klientam.

Pirmiausia perskaitykite šią naudojimo instrukciją!

Brangus kliente,

Dėkojame, kad pasirinkote šį „Beko“ prietaisą. Tikimės, kad šiuo prietaisu, kuris buvo pagamintas naudojant aukščiausios kokybės moderniausią technologiją, liksite patenkinti. Dėl to, prieš pradėdami naudoti šį prietaisą, perskaitykite visą šią naudojimo instrukciją bei prie jos pridėjusius dokumentus ir juos pasilikite, jei prireiktų ateityje. Jeigu atiduotumėte šį prietaisą kam nors kitam, kartu atiduokite ir šią naudojimo instrukciją. Laikykitės naudojimo instrukcijoje pateiktų nurodymų, atkreipkite dėmesį į visą informaciją ir įspėjimus.

Atkreipkite dėmesį, kad ši naudojimo instrukcija gali būti taikoma ir kitiems modeliams. Modelių skirtumai yra aiškiai aprašyti šioje instrukcijoje.

Ženklių reikšmės

Įvairiuose šios naudojimo instrukcijos skyriuose naudojami šie simboliai:



Svarbi informacija ir naudingi patarimai, kaip naudoti prietaisą.



ĮSPĖJIMAS: Įspėjimai apie pavojingas situacijas, keliančias pavojų gyvybei ir turtui.



Įspėjimas dėl gaisro pavojaus.



Įspėjimas dėl elektros smūgio.



Šis prietaisas pagamintas moderniose ekologiškose gamyklose,
nedarant žalos gamtai.

1 Svarbios saugos ir aplinkos apsaugos taisyklės

1.1 Bendrieji saugos reikalavimai

- Šiuo prietaisu gali naudotis vaikai nuo 8 metų amžiaus ir fizinę, jutiminę arba protinę negalią turintys asmenys ir patirties bei žinių stokojantys asmenys, su sąlyga, kad jie bus prižiūrimi arba bus išmokyti saugiai naudotis prietaisu ir supažindinti su galimais pavojais.
- Vaikams negalima leisti žaisti su šiuo prietaisu. Vaikai neturėtų valyti ir tvarkyti prietaiso, nebent juos prižiūrėtų suaugusieji.
- Šis prietaisas skirtas buitiniam naudojimui.
- Gaminio darbinė įtampa yra 220-240 voltų ~50 Hz.
- Jūsų prietaiso maitinimo kabelis turi įžemintą kištuką. Šis kabelis turi būti jungiamas į įžemintą elektros lizdą.
- Elektros montavimo darbus turi atlikti kvalifikuotas elektrikas.
- Dėl neįgalėtų asmenų atliktų montavimo darbų prietaisas gali veikti neefektyviai, gali būti sugadintas ir gali įvykti nelaimė.
- Saugokite maitinimo kabelį, kad montavimo metu jis neužstrigtų ar nebūtų prispaustas. Maitinimo kabelis turi būti nutiestas atokiau nuo kaitlentės. Priešingu atveju kabelis gali išsilydyti ir sukelti gaisrą.
- Nejunkite į elektros lizdą, kol gaminys nebus sumontuotas.
- Pasirūpinkite, kad kilus pavojui būtų galima lengvai pasiekti kištuką ir nutraukti maitinimą.
- Nelieskite lempučių, jeigu jos ilgai švietė. Jos bus karštos, dėl to galite nusideginti rankas.
- Virtuviniai garų rinktuvai yra pritaikyti įprastam maisto gaminimui ir buitiniam naudojimui. Naudojant kitais tikslais gaminys gali sugesti, tokiu atveju garantija negalios.
- Laikykitės kompetentingų valdžios institucijų nustatytų taisyklių dėl ištraukiamojo oro išleidimo (šis įspėjimas netaikomas, jeigu prietaisas naudojamas be dūmtraukio).
- Po prietaisu nederėtų gaminti degių maisto produktų.
- Įjunkite prietaisą po to, kai pastatysite ant kaitvietės puodą, keptuvę ir t.t. Priešingu atveju dėl didelio karščio kai kurios jūsų gaminio dalys gali deformuotis.
- Išjunkite kaitvietę prieš nuimdami nuo jos puodą, keptuvę ir t.t.
- Nepalikite ant kaitvietės karšto aliejaus. Keptuvės su karštu aliejumi

1 Svarbios saugos ir aplinkos apsaugos taisyklės

gali tapti užsidegimo priežastimi.

- Atkreipkite dėmesį į užuolaidas ir uždangalus, nes kepančios, pvz., bulvių šiaudelius, aliejus gali užsiliepsnoti.
- Pasirūpinkite, kad filtrai būtų keičiami laiku. Laiku nepakeičius filtrų dėl ant jų susikaupusių riebalų gali kilti gaisras.
- Vietoje filtro nenaudokite ugniai neatsparių filtravimo medžiagų.
- Nenaudokite prietaiso be filtro, neišimkite filtrų iš veikiančio prietaiso.
- Jeigu kiltų gaisras, nutraukite garų rinktuvo ir maisto gaminimo prietaisų maitinimą. (Ištraukite kištuką iš elektros lizdo arba išjunkite pagrindinį jungiklį).
- Jeigu prietaisas nebus periodiškai tinkamai valomas, gali kilti gaisras.
- Prieš atlikdami prietaiso priežiūros darbus, išjunkite maitinimą. (Ištraukite kištuką iš elektros lizdo arba išjunkite pagrindinį jungiklį).
- Patalpoje, kurioje vienu metu veikia virš elektrinės kaitlentės montuojamas garų rinktuvas ir kiti, ne elektrą maitinami prietaisai, neigiamas slėgis neturi viršyti 4 Pa (4 x 10 bar).
- Patalpoje, kurioje naudojamas prietaisas, mazutu arba dujo-

mis kūrenamų prietaisų, pvz., šildytuvo, išmetamos dujos privalo būti visiškai izoliuotos arba tokie prietaisai privalo būti hermetiški.

- Dūmtraukiui prijungti naudokite 120 mm arba 150 mm skersmens vamzdžius. Vamzdžio jungtis turi būti kuo trumpesnė, o alkūnių skaičius - minimalus.
- Vaikams negalima leisti žaisti su šiuo prietaisu.
- Savo pačių saugumui užtikrinti montuodami garų rinktuvą naudokite „MAX 6 A“ saugiklį.
- Pakavimo medžiagos gali kelti pavojų vaikams, dėl to laikykite jas vaikams nepasiekiamoje vietoje.
- Jei maitinimo kabelis yra pažeistas, jį privalo pakeisti gamintojas, jo techninės priežiūros atstovas arba kitas kvalifikuotas asmuo, kad nekiltų pavojaus.
- Jeigu kiltų gaisras, nutraukite garų rinktuvo bei kaitlentės maitinimą ir uždenkite liepsną. Niekada nbandykite gesinti vandeniu.
- Veikiančių maisto gaminimo prietaisų atviros dalys gali įkaisti.
- Šis gaminys neskirtas naudoti asmenims (įskaitant vaikus), turintiems fizinę, juslinę arba protinę

1 Svarbios saugos ir aplinkos apsaugos taisyklės

negalią, arba asmenims, kurie neturi patirties arba žinių, nebent juos prižiūrėtų arba jiems nurodytų, kaip naudotis prietaisu, už jų saugumą atsakingas asmuo.

- Atstumas tarp sumontuoto garų rinktuvo ir elektrinės kaitlentės turi būti ne mažesnis kaip 65 cm.
- Garų rinktuvo išleidimo vamzdžio negalima jungti prie ortakių, kuriuose yra kitų dūmų.
- Prietaisą naudojant toje pačioje patalpoje su orą ir kurą naudojančiais įrenginiais (pvz., šildytuvais; dujomis, dyzelinu, anglimis, malkomis kūrenamais vandens šildytuvais; arba vandens šildytuvais) būtina imtis atsargos priemonių. Garų rinktuvas išleidžia orą į patalpą, o tai gali turėti neigiamos įtakos degimui.
- Šis įspėjimas netaikomas, jeigu prietaisas naudojamas be dūmtraukio.
- Vienu metu patalpoje naudojant virš elektrinės kaitlentės montuojamą garų rinktuvą ir dujomis arba kitu kuru kūrenamus prietaisus ventiliacija gali būti nepakankama (ši nuostata gali būti netaikoma prietaisams, kurie orą išleidžia tik atgal į patalpą).

1.1 Atitiktis EEJA direktyvai ir atitarnavusio gaminio sutvarkymas:

Šis gaminys atitinka ES EEJA direktyvą (2012/19/ES). Šis gaminys žymimas elektros ir elektroninės įrangos atliekų (EEJA) simboliu.



Šis simbolis reiškia, kad, kai produktas tampa nebenaudojamas, jo negalima šalinti kartu su kitomis buitinėmis atliekomis. Panaudotą prietaisą būtina pristatyti į elektros ir elektroninių prietaisų surinkimo ir perdirbimo punktą. Norėdami sužinoti, apie surinkimo ir perdirbimo punktus - susisiekite su vietos institucijomis arba pardavėju. Kiekvienas atliekame svarbų vaidmenį saugodami gamtą ir perdirbdami senus buitinius prietaisus. Atitinkamas panaudotų buitinių prietaisų šalinimas padeda išvengti neigiamos žalos gamtai ir žmogaus sveikatai.

Atitiktis RoHS direktyvai

Jūsų įsigytas gaminys atitinka ES RoHS direktyvą (2011/65/ES). Jame nėra direktyvoje nurodytų kenksmingų ar draudžiamų medžiagų

1.2 Informacija apie pakuotę



Šio gaminio pakavimo medžiagos pagamintos iš pakartotinai panaudojamų medžiagų, atsižvelgiant į mūsų nacionalinius aplinkosaugos reglamentus. Neišmeskite pakavimo medžiagų kartu su buitinėmis arba kitomis atliekomis. Jas atiduokite į vietinių valdžios institucijų nurodytus pakavimo medžiagų surinkimo punktus.

1 Svarbios saugos ir aplinkos apsaugos taisyklės

1.3 Esminis pavojus Apsinuodijimo pavojus



Pav. 1: Apsinuodijimo pavojus



Pav. 2: Apsinuodijimo pavojus



PAVOJUS! **Įspėjimas - pavojus** **uždusti**

Pakavimo medžiagos kelia pavojų vaikams. Neleiskite vaikams žaisti su pakavimo medžiagomis.



PAVOJUS! **Įspėjimas - mirtinas** **pavojus**

Dėl pakartotinai įtrauktų degimo dujų kyla gyvybei pavojingo apsinuodijimo pavojus. Prietaiso su oro išleidimo anga negalima naudoti kartu su dujomis, mazutu, malkomis arba medžio anglimis kūrenamais nuodingas dujas išskiriančiais prietaisais, pavyzdžiui, oro cirkuliacinėmis krosnimis, šildytuvais, vandens šildytuvais ir t.t., nebent būtų užtikrintas pakankamas oro tiekimas. Pav. 3

Oro cirkuliaciniai įrenginiai (pvz., dujomis, mazutu, malkomis arba medžio anglimis kūrenamos krosnys, šildytuvai, vandens šildytuvai) iš vietos, kurioje yra pastatyti, traukia orą ir per dujų išmetimo sistemą (pvz., ortakį) išleidžia dujas. Dirbdamas prietaisas traukia orą iš virtuvės ir kaimyninių kambarių. Jeigu neužtikrinamas pakankamas oro tiekimas, susidaro vakuumas. Tokiu atveju iš ortakio ir dūmtraukio yra pradedamos traukti nuodingos dujos, kurios patenka atgal į patalpą. Pav. 1

Dėl šios priežasties derėtų pasirūpinti, kad visada būtų tiekiama pakankamai šviežio oro. Pav. 2

ĮSPĖJIMAS! Gaisro pavojus!

Alyvos nuosėdos ant alyvos filtro gali užsidegti. Valykite alyvos filtrą bent kartą per mėnesį. Nenaudokite prietaiso be alyvos filtro. Valykite medžio anglies filtrą bent kartą per tris mėnesius.

Ant alyvos filtro susikaupusi alyva gali užsidegti. Arti prietaiso niekada nenaudokite atviros liepsnos (pvz., negaminkite spiritu apipilamų ir uždegamų patiekalų) Prietaisą montuoti arti kietuoju kuru (pvz., malkomis arba anglimi) kūrenamų šildymo įrenginių galima tik tuo atveju, jeigu toks įrenginys turi nenuimamą uždara gaubtą. Neturi būti keliama jokių kibirkščių.

Įkaitęs augalinis aliejus ir riebalai lengvai užsiliepsnoja. Įkaitusį augalinį aliejų ir riebalus būtina nuolat atidžiai stebėti. Nebandykite gesinti liepsnos vandeniu.

Išjunkite kaitlentę. Atsargiai uždenkite liepsną dangčiu, priešgaisrine antklode arba panašiu daiktu.



Įjungtos dujinės viryklės, jeigu ant jų nėra virtuvinių indų, skleidžia didelę šilumą. Dėl to virš tokios viryklės sumontuotas ventiliacijos prietaisas gali būti sugadintas arba užsidegti. Dujinės viryklės naudokite tik tada, kai ant jų yra virtuviniai indai.

Vienu metu degant daugiau nei vienam dujų degikliui išskiriama didelė šiluma. Dėl to virš tokios viryklės sumontuotas ventiliacijos prietaisas gali būti sugadintas arba užsidegti. Nustatę didelę liepsną nenaudokite dviejų dujinės viryklės degiklių ilgiau kaip 15 minučių. Didesnės nei 5kW galios degiklis priylgsta dviejų lygių degikliui.

1 Svarbios saugos ir aplinkos apsaugos taisyklės



ĮSPĖJIMAS! **Elektros smūgio pavojus!**

Netvarkingas prietaisas gali nutrenkti elektra. Nesinaudokite netvarkingu prietaisu. Išjunkite jį iš elektros lizdo arba ištraukite saugiklį iš saugiklių dėžutės. Paskambinkite į klientų aptarnavimo centrą.

Nesilaikant instrukcijų atliktas remontas kelia grėsmę. Remonto ir sugadintų elektros kabelių keitimo darbus turi atlikti tik kvalifikuotas mūsų įmonės klientų aptarnavimo tarnybos darbuotojas. Jeigu prietaisas sugedo, išjunkite jį iš elektros lizdo arba ištraukite saugiklį iš saugiklių dėžutės. Paskambinkite į klientų aptarnavimo centrą.

Į prietaisą patekęs vanduo gali sukelti elektros smūgį. Draudžiama valyti aukšto slėgio arba gariniais valymo prietaisais.



PAVOJUS! **Sužalojimų pavojus!**

Montuojant yra pavojus susižaloti į aštrias briaunas. Montuodami prietaisą visada mūvėkite apsaugines pirštines.

Kad būtų išvengta prietaiso nukritimo pavojaus, visi varžtai ir apsauginiai gaubtai turi būti sumontuoti taip, kaip nurodyta naudojimo instrukcijoje.

Ant prietaiso sudėti daiktai gali nukristi. Nedėkite ant prietaiso jokių daiktų.

Šviesos diodas yra itin ryškus ir gali sužaloti akis (1 pavojingumo grupė). Nežiūrėkite tiesiai į šviesos diodą ilgiau nei 100 sekundžių.



ATSARGIAI

Naudojant su maisto gamavimo įrangą liečiamos prietaiso dalys gali įkaisti.



Išjunkite prietaiso saugiklį arba ištraukite prietaiso kištuką iš elektros lizdo, jeigu jis buvo remontuojamas netinkamai arba nesilaikant taisyklių. Remonto darbus gali atlikti tik įgalioto serviso darbuotojai arba įgalioti kvalifikuoti specialistai.

Išjunkite prietaiso saugiklį arba ištraukite prietaiso kištuką iš elektros lizdo, jeigu jis buvo remontuojamas netinkamai arba nesilaikant taisyklių. Remonto darbus gali atlikti tik įgalioto serviso darbuotojai arba įgalioti kvalifikuoti darbuotojai.

1 Svarbios saugos ir aplinkos apsaugos taisyklės



PAVOJUS! **Nudegimų pavojus,** **elektros smūgio pavojus!**

Prieš valydami arba tvarkydami prietaisą palaukite, kol šis atvės. Išjunkite saugiklį arba ištraukite prietaiso kištuką iš elektros lizdo.

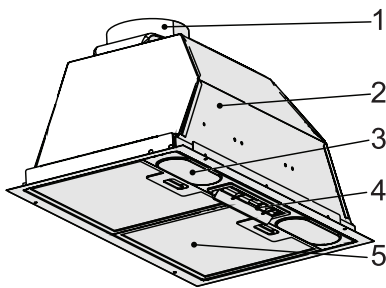
Į vidų prasiskverbusi drėgmė gali pažeisti elektroniką. Niekada nevalykite valdiklių šlapia šluoste.

Netinkamai valant galima pažeisti paviršių. Nerūdijančiojo plieno paviršius valykite tik braukdami šepetį pagal plauką. Nevalykite valdiklių nerūdijančiojo plieno valikliu.

Šveičiamosios arba trinamos valymo priemonės gali pažeisti paviršių. Niekada nenaudokite šveičiamųjų arba trinamų valymo priemonių.

2 Bendra išvaizda

2.1 Apžvalga



1. Oro ištraukimo ortakis
2. Korpusas
3. Kaitlentės apšvietimas
4. Valdymo skydelis
5. Aliuminio folijos filtras

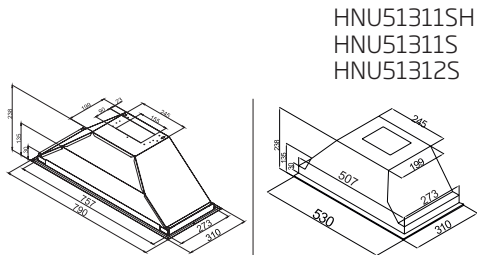
2.2 Techniniai duomenys

CE Šis prietaisas atitinka Europos direktyvą Nr. 2014/30/ES (elektromagnetinio suderinamumo direktyva) ir direktyvą Nr. 2014/35/ES (žemos įtampos direktyva (ŽID)).

Maitinimo įtampa	220-240V 50 Hz.
Lempučių galia (W)	2x3 W
Variklio galia (W)	1x185 W
Variklio izoliavimo klasė	F
Izoliavimo klasė	IKLASĖ

Pasiekiamame teise keisti techninius duomenis ir dizainą. Matmenys techniniuose brėžiniuose nurodyti mm. Šis paveikslėlis yra skirtas tik suteikti informaciją apie prietaiso dalis. Dalys gali skirtis priklausomai nuo prietaiso modelio. Paveikslėliai yra pateikti reprezentatyviai.

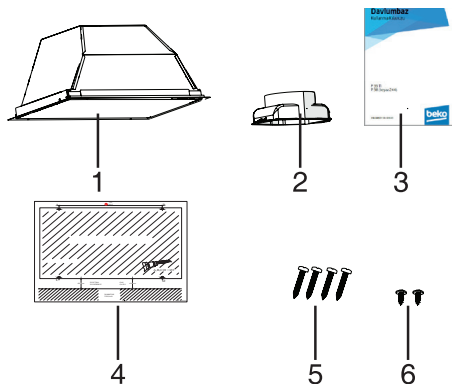
2.3 Techninis brėžinys su masteliu



HNU51311SH
HNU51311S
HNU51312S

HNU71311S

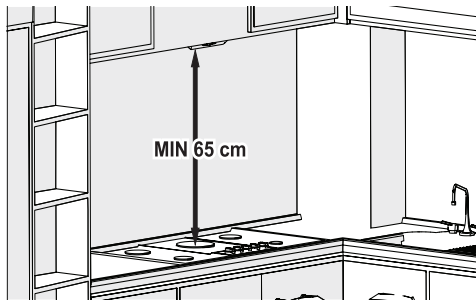
2.4 Pakuotės turinys



1. Garų rinktuvas
2. 120 mm skersmens plastikinis ortakis
3. Naudojimo instrukcija
4. Montavimo brėžinys
5. 4 X 3,9 X 32 varžtas (Skirtas garų rinktuvui montuoti)
6. 3,5 x 9,5 varžtas (Skirtas plastikiniam ortakiui montuoti)

3 Prietaiso montavimas ir naudojimas

3.1 Prietaiso pastatymo vieta



- Prieš montuojant reikia atkreipti dėmesį į atstumą tarp garų rinktuvo ir kaitlentės. Šis atstumas turėtų būti 65 cm.
- Dujinėms viryklėms atstumą reikia matuoti nuo grotelių, o elektrinėms kaitlentėms - nuo stiklinio paviršiaus.



Jūsų naujasis prietaisas energiją naudoja itin taupiai. Šiame dokumente rasite patarimų, kaip naudojant prietaisą sutaupyti daugiau energijos ir kaip deramai sutvarkyti nebetinkamą naudoti prietaisą.

3.2 Ką derėtų daryti norint taupyti energiją;

- Kad gaminant valgį garų rinktuvas veiktų efektyviai ir tyliai, užtikrinkite pakankamą oro įsiurbimą.
- Ventilatoriaus greitį nustatykite atsižvelgdami į garų kiekį virtuvėje. Didelį greitį naudokite tik tada, kai yra būtina. Mažesniu greičiu veikiantis ventilatorius naudoja mažiau energijos.
- Iš anksto nustatykite didesnį ventilatoriaus greitį, jeigu žinote, kad virtuvėje kils tiršti dūmai. Garų rinktuvas turi dirbti kur kas ilgiau, kad ištrauktų po visą virtuvę pasklidusius dūmus.
- Išjunkite garų rinktuvą, kai jo nenaudojate.
- Valykite arba keiskite filtrą nurodytais intervalais, tokiu būdu padidinsite ventilacijos

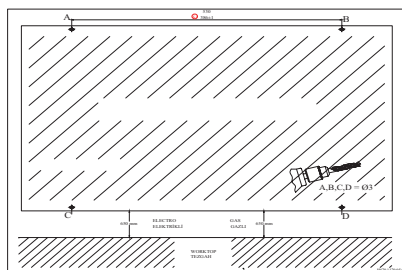
efektyvumą ir neleisite kilti galimo gaisro pavojui.

3.3 Prietaiso montavimas



ATSARGIAI

Atlikdami gręžimo ir pjovimo darbus mūvėkite apsaugines pirštines ir būkite užsidėję apsauginius akinius.

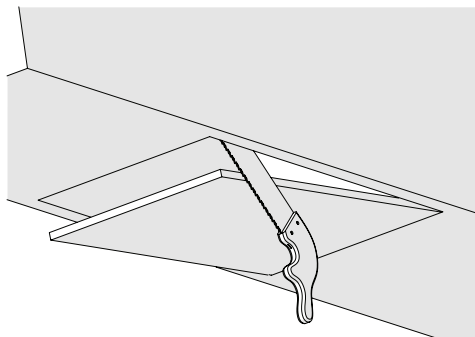


Pav. 6

Tvirtinimo skylių gręžimas

- Priklijuokite kartu su prietaisu tiekiamą montavimo šabloną prie paviršiaus, ant kurio montuosite.
- 4 mm skersmens grąžtu išgręžkite skylės ant šablono raidėmis A, B, C, D pažymėtose vietose.

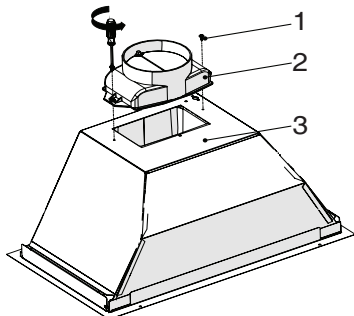
Pav. 7



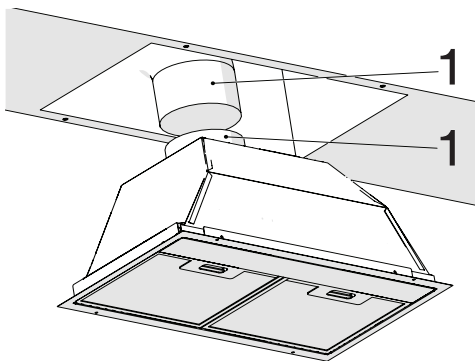
3 Prietaiso montavimas ir naudojimas

- Spintelės, kurioje bus montuojamas garų rinktuvas, apačioje išpjaukite techniniame brėžinyje nurodyto dydžio angą (Pav. 7).

Pav. 8



1. 3,5 x 9,5 varžtas
 2. 120 mm skersmens plastikinis ortakis
 3. Korpusas/Vožtuvas Kaištis Lizdas
- Dviem 3,5 x 9,5 varžtais pritvirtinkite plastikinį ortakį prie prietaiso korpuso. (Pav. 8) Neatrinkite jį į paviršių. Pav. 8



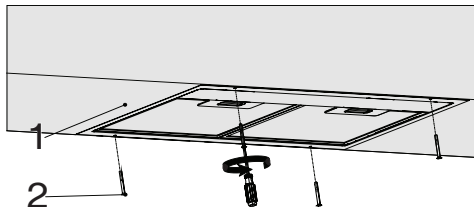
Pav. 9

1. Oro išleidimo vamzdis
 2. Garų rinktuvo oro ištraukimo ortakis
- Pritvirtinkite oro išleidimo vamzdį prie oro ištraukimo ortakio ir užfiksuokite veržikliu (Pav. 9).

ATSARGIAI



Aluminiinio vamzdžio išlinkimai ir alkūnės mažina oro siurbimo galią, dėl to jų skaičių reikėtų stengtis sumažinti iki minimumo.

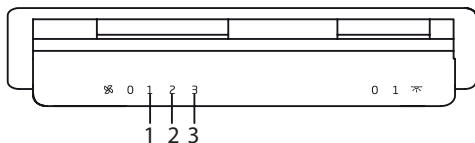


Pav. 10

1. Virtuvės spintelės vaizdas iš apačios
 2. 4 X 3,9 X 32 garų rinktuvo montavimo varžtas
- Įstatykite garų rinktuvą į virtuvės spintelę ir pritvirtinkite jį prie anksčiau išgręžtų 4 montavimo skylių (Pav. 10).

3.4 Prietaiso naudojimas

3.4.1 Jungiklio naudojimas



- Lemputės jungiklį nustatykite į padėtį „0“, kad išjungtumėte lempuotę.
- Lemputės jungiklį nustatykite į padėtį „1“, kad įjungtumėte lempuotę.
- Variklio jungiklį nustatykite į padėtį „0“, kad išjungtumėte variklį.
- Variklio greitį galima keisti atsižvelgiant į gaminant maistą kylančių garų tirštumą nuo 1 (mažiausio) greičio iki 3 (didžiausio) greičio.

3 Prietaiso montavimas ir naudojimas

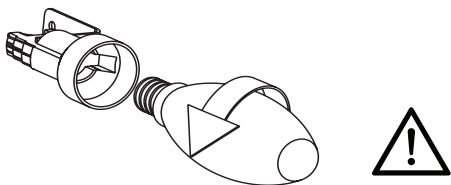
3.5 Lemputės keitimas

3.5.1 Lemputės-žvakutės keitimas



ĮSPĖJIMAS

Išjunkite garų rinktuvo maitinimą. Įkaitusios lemputės gali nudeginti rankas, todėl palaukite, kol šios atvės.



Pav. 11: Lemputės-žvakutės keitimas

- Nuimkite aliuminį kasetinį filtrą. Išimkite perdegusią lemputę ir pakeiskite nauja tokio paties galingumo lempute. Pav. 11



PASTABA:

Jeigu prietaisas sugestų arba būtų pažeistas, išjunkite saugiklį arba ištraukite prietaiso kištuką iš elektros lizdo ir iškvieskite įgaliotąjį priežiūros atstovą.



PASTABA:

Jei maitinimo kabelis yra pažeistas, jį privalo pakeisti gamintojas arba jo techninės priežiūros atstovas arba kitas kvalifikuotas asmuo, kad nekiltų pavojaus.



PASTABA:

Jeigu prietaiso lemputės perdegtų, išjunkite saugiklį arba ištraukite prietaiso kištuką iš elektros lizdo. Nedelsdami pakeiskite perdegusias lemputes, kad kitos lemputės nebūtų perkraunamos (prieš tai palaukite, kol lemputės atvės).

4 Valymas ir priežiūra

ATSARGIAI

Pažeidimų dėl korozijos pavojus. Kad nesusidarytų kondensatas, gamindami maistą visada naudokite prietaisą. Dėl kondensato gali atsirasti korozijos pažeidimai. Nedelsdami pakeiskite perdegusias lemputes, kad kitos lemputės nebūtų perkraunamos. Į vidų prasiskverbusi drėgmė gali pažeisti elektroniką. Niekada nevalykite valdiklių šlapia šluoste. Netinkamai valant galima pažeisti paviršių. Nerūdijančiojo plieno paviršius valykite tik braukdami šepetį pagal plauką. Nevalykite valdiklių nerūdijančiojo plieno valikliu. Šveičiamosios arba trinamos valymo priemonės gali pažeisti paviršių. Niekada nenaudokite šveičiamųjų arba trinamųjų valymo priemonių. Yra pavojus, kad atgal tekantis kondensatas gali sugadinti prietaisą. Oro išleidimo iš prietaiso kanalą sumontuokite taip, kad jis būtų nukreiptas 1° žemyn nuo prietaiso.



ATSARGIAI

Šį prietaisą galima naudoti oro ištraukimo ir oro cirkuliacijos režimu.



Oro ištraukimo režimas

Ištrauktas oras yra išvalomas alyvos filtrais ir išleidžiamas per vamzdyną. (Pav. 3) Norint nukreipti nešvarų orą į nenaudojamą dūmtraukį arba išmetamųjų dujų dūmtakį, būtina gauti įgalioto dūmčių valymo specialisto leidimą. Norint išleisti nešvarų orą per išorinę sieną, derėtų naudoti teleskopinį perėjimą per sieną.



Ištrauktas oras yra išvalomas alyvos filtrais ir aktyviosios anglies filtru ir yra išleidžiamas atgal į virtuvę. Pav. 4



PASTABA!

Nešvaraus oro negalima nukreipti nei į dūmtraukį arba išmetamųjų dujų dūmtakį, nei į patalpų, kuriose sumontuoti šildymo įrenginiai, ventiliacinius ortakius.



Norint sulaikyti kvapą sukeliančias medžiagas, kai prietaisas naudojamas cirkuliacijos režimu, reikia sumontuoti aktyviosios anglies filtrą. Informacijos apie skirtingas galimybes naudoti prietaisą oro cirkuliacijos režimu, teiraukitės įgaliotojo atstovo. Tokiam naudojimui būtinas priedas galima įsigyti atitinkamose pardavimo vietose, iš įgaliotųjų priežiūros atstovų arba internetinėje parduotuvėje.

Jūsų įsigytą prietaisą galima naudoti su anglies filtru. Anglies filtro uždėjimas;

1- Įstatykite anglies filtrą į jo korpusą. Pav. 15/1

2- Pasukite anglies filtrą pagal laikrodžio rodyklę, kad įsitikintumėte, ar šis yra tvirtai įstatytas. Pav. 15/2



Res.13



Res.14



Res.15



Deramai nepritvirtintas anglies filtras gali nukristi ir sugadinti jūsų gaminį.

4 Valymas ir priežiūra



ATSARGIAI

Niekada neplaukite anglies filtrų. Anglies filtrus laikykite vaikams nepasiekiamoje vietoje.



ATSARGIAI

Neprižiūrimi vaikai negali atlikti valymo ir naudotojo atliekamų techninės priežiūros darbų.

- Šveičiamosios arba trinamos valymo priemonės gali pažeisti paviršių. Niekada nenaudokite šveičiamųjų ir trinamųjų valymo priemonių. Jūsų prietaisui tinkančias valymo priemones ir apsaugines medžiagas įsigykite iš įgaliotojo serviso. Prietaiso ir valdiklių paviršius yra neatsparus braižymui.
- Paviršius valykite švelnia ir drėgna šluoste, indų plovimo skysčiu arba švelnia stiklo plovimo priemone. Pridžiuvusius ir prikibusius nešvarumus suminkštinkite drėgna šluoste. Negramdykite!
- Sausos šluostės, subraižyti galinčios kempinės, priemonės, kurias reikia trinti, smėlis ir kitos efektyvios valymo priemonės, kurių sudėtyje yra mineralinio vandens, rūgšties arba chlorido, valymui netinka.
- Nerūdijančiojo plieno paviršius valykite tik paviršiaus nušlifavimo kryptimi.
- Valdymo bloką nevalykite nerūdijančiojo plieno valymo priemonėmis arba šlapiomis šluostėmis. Metalinių alyvos filtrų valymas Senuose metaliniuose alyvos filtruose kaupiasi virtuvėje susidaranti drėgmė ir garuose esančios riebalų dalelės. Reguliariai naudojant prietaisą (nuo 1 iki 2 valandų per dieną), metalinius alyvos filtrus reikia valyti maždaug kartą per 3 mėnesius.
- Nenaudokite pernelyg efektyvių, rūgščių arba šerdinančių valymo priemonių.
- Metalinių alyvos filtrų valymui naudokite drėgną šluostę, ja nuvalykite šiuos filtrus prietaise laikiančias dalis.
- Metalinius alyvos filtrus galima plauti indaplovėje arba rankomis.
- Nepurškite valymo priemonių tiesiai ant prietaiso.
- Nestatykite ant prietaiso degių ir (arba) sunkių

dekoracijų.

4.1 Plovimas indaplovėje

- Plauçant indaplovėje spalva gali šiek tiek pasikeisti. Tai neturi įtakos metalinio alyvos filtro veikimui.
- Istin nešvarių metalinių alyvos filtrų neplaukite kartu su indais.
- Metalinius alyvos filtrus galima į indaplovę sudėkite laisvai. Į indaplovę dedamų metalinių alyvos filtrų nederėtų sugrūsti.

4.2 Plovimas rankomis

- Sunkiai pašalinamiems nešvarumams nuvalyti galima naudoti specialią riebalus tirpdančią priemonę. Šią priemonę galima įsigyti iš įgalioto prekybos centro.
- Pamerkite metalinį alyvos filtrą į karštą vandenį su indų plovimo skysčiu.
- Nuvalykite šepetiu ir palaukite, kol skystis gerai nuvarvės nuo metalinio alyvos filtro. Nuvalytus filtrus gerai išskalaukite.
- Techninės specifikacijos ir ši instrukcija gali būti keičiamos iš anksto neįspėjus.
- Šis prietaisas atitinka Elektros ir elektroninės įrangos atliekų išmetimo kontrolės reglamentą.
- Šis garų rinktuvas yra skirtas naudoti virš kaitlentės. Įsitikinkite, kad siena yra pakankamai tvirta, jog atlaikytų garų rinktuvo svorį. Sienos griovimo arba spintelės pjaustymo ir panašių darbų, kuriuos reikia atlikti norint sumontuoti prietaisą, kaštus turi padengti klientas. Garų rinktuvą galima prijungti prie ortakio, kuriuo įtrauktas oras būtų pašalinamas, arba naudoti atskirai (su anglies filtru). Atkreipkite dėmesį į sunkumus, su kuriais galima susidurti prieš pradėdant montuoti arba montavimo metu. Montavimą turėtų atlikti įgaliotas aptarnavimo atstovas. Montavimo darbus turėtų atlikti ventiliacijos sistemas išmanantis įgaliotas specialistas. Pramonės ministerijos nustatytas prietaiso eksploatavimo laikas (laikotarpis, kurio metu yra tiekiamas tinkamam prietaiso veikimui užtikrinti reikalingos atsarginės dalys) yra 10 (dešimt) metų.

4 Valymas ir priežiūra

- Kad pernešimo ir pervežimo metu prietaisas ir jo dalys nebūtų pažeistos, prietaisą būtina laikyti originalioje pakuotėje.
- Pernešimo metu prietaisą laikykite įprastoje padėtyje.
- Nenumeskite prietaiso ir saugokite jį nuo pažeidimų transportavimo metu. Gedimams ir pažeidimams, kurie atsirado transportavimo metu po to, kai prietaisas buvo pristatytas klientui, garantija netaikoma.

Vă rugăm să citiți mai întâi acest manual de utilizare!

Stimate client,

Vă mulțumim pentru că ați ales un produs Beko. Sperăm să obțineți cele mai bune rezultate de la aparatul dumneavoastră, care a fost fabricat la o calitate înaltă și cu tehnologie performantă. Din acest motiv, vă rugăm să citiți cu atenție și în întregime acest manual de utilizare și toate celelalte documente adiționale înainte de a utiliza aparatul, și să le păstrați pentru consultări ulterioare. Dacă transmiteți produsul altei persoane, oferiți-i și manualul de utilizare. Urmați instrucțiunile și acordați atenție tuturor informațiilor și avertismentelor din manualul de utilizare.

Nu uitați că acest manual de utilizare poate fi aplicat și altor modele. Diferențele dintre modele sunt descrise în manual în mod explicit.

Semnificația simbolurilor

Următoarele simboluri sunt utilizate în diverse părți ale acestui manual de utilizare:



Informații importante și sugestii utile cu privire la utilizare.



AVERTISMENT: Avertismente pentru situații periculoase referitoare la siguranța vieții și bunurilor.



Avertisment pentru pericol de incendiu.



Avertisment privind electrocutarea.



Acest produs a fost fabricat în fabrici ecologice moderne, fără a dăuna naturii.

1 Instrucțiuni importante referitoare la siguranță și mediul înconjurător

1.1 Siguranță generală

- Acest aparat poate fi folosit de copiii cu vârsta de cel puțin 8 ani și de persoane care au o capacitate fizică, senzorială sau mentală suficientă și au experiență și cunoștințe adecvate, cu condiția să fie supravegheați sau informați cu privire la utilizarea în siguranță a aparatului și riscurile aferente.
- Nu permiteți copiilor să se joace cu aparatul. Procedurile de curățare și întreținere nu trebuie să fie efectuate de copii nesupravegheați de adulți.
- Acest aparat este destinat uzului casnic.
- Tensiunea de funcționare a produsului este de 220-240 volți ~50 Hz.
- O priză cu împământare este conectată la cablul de alimentare al aparatului. Acest cablu trebuie introdus într-o priză cu împământare.
- Instalarea electrică trebuie efectuată de un electrician calificat.
- Instalarea efectuată de persoane neautorizate poate cauza funcționarea cu performanță scăzută, deteriorarea produsului și accidente.
- Nu lăsați cablul de alimentare nu trebuie să se blocheze sau să fie strivit în timpul instalării. Cablul de alimentare nu trebuie să fie amplasat lângă plită. În caz contrar, cablul se poate topi și poate provoca un incendiu.
- Nu băgați produsul în priză înainte de a-l instala.
- Verificați că ștecherul se află într-un loc de unde se poate ajunge ușor la el pentru a întrerupe alimentarea în caz de pericol.
- Nu atingeți lămpile dacă au funcționat mult timp. Vă puteți arde mâinile, deoarece vor fi fierbinți.
- Hotele de bucătărie sunt fabricate pentru gătit și pentru uz casnic. În cazul utilizării în alte scopuri, produsul se poate strica și garanția va fi nulă.
- Respectați reglementările stabilite de autoritățile competente privind evacuarea aerului rezidual (acest avertisment nu este valabil la utilizarea fără coșul de fum).
- Alimentele inflamabile nu trebuie gătite sub produs.
- Folosiți produsul după ce ați pus o oală, o tigaie, etc. pe plită. În caz contrar, căldura ridicată poate

1 Instrucțiuni importante referitoare la siguranță și mediul înconjurător

cauza deformări în unele părți ale produsului.

- Opriți plita înainte de a lua oala, tigaia, etc. de pe ea.
- Nu lăsați ulei fierbinte pe plită. Tigăile cu ulei fierbinte pot provoca auto-combustia.
- Fiți atenți la perdele și huse, deoarece uleiul poate lua foc în timp ce gătiți alimente cum ar fi cartofi prăjiți.
- Asigurați-vă că filtrele sunt schimbate la timp. Există riscul de incendiu din cauza uleiului care se adună pe filtrele care nu au fost schimbate la timp.
- Nu utilizați în locul filtrului materiale de filtrare care nu sunt rezistente la foc.
- Nu utilizați produsul fără filtru și nu scoateți filtrele în timp ce produsul funcționează.
- În caz de incendiu, opriți alimentarea produsului și aparatelor de gătit. (Scoateți aparatul din priză sau opriți de la comutatorul principal).
- Există riscul de incendiu dacă nu este face corespunzător curățarea periodică.
- Opriți alimentarea aparatului înainte de lucrările de întreținere. (Scoateți aparatul din priză sau opriți de la comutatorul principal).
- Presiunea negativă în mediu nu trebuie să depășească 4 Pa (4 x 10 bari), în timp ce hota pentru plita electrică și aparatele funcționează pe un alt tip de energie iar electricitatea funcționează simultan.
- În mediul în care este folosit produsul, evacuarea dispozitivelor care funcționează pe combustibil lichid sau motorină, cum ar fi radiatorul, trebuie să fie complet izolată sau dispozitivul trebuie să fie de tip ermetic.
- La conectarea coșului de evacuare, folosiți țevi cu diametrul de 120 sau 150 mm. Racordul țevilor trebuie să fie cât mai scurt posibil și să aibă cât mai puține coturi.
- Nu permiteți copiilor să se joace cu aparatul.
- Pentru siguranța dvs., folosiți o siguranță de „MÁX 6 A” în ansamblul hotăii.
- Nu lăsați ambalajele la îndemâna copiilor, deoarece acestea pot reprezenta un pericol pentru ei.
- În cazul în care cablul de alimentare este avariât, acesta trebuie să fie înlocuit de către producător,

1 Instrucțiuni importante referitoare la siguranță și mediul înconjurător

un agent service sau o persoană calificată pentru prevenirea apariției pericolului.

- În caz de incendiu, opriți alimentarea plitei și a hotei și acoperiți flacăra. Nu stingeți niciodată incendiul cu apă.
- În timpul utilizării aparatelor de gătit, părțile accesibile ale acestora se pot înfierbânta.
- Acest produs nu este destinat pentru utilizare de către persoane (inclusiv copii) cu capacități fizice, senzoriale sau mintale reduse, sau lipsă de experiență și cunoștințe, cu excepția cazului în care sunt supravegheați sau au primit instrucțiuni cu privire la utilizarea produsului de la o persoană responsabilă de siguranța lor.
- Când instalarea hotei pentru plite electrice este completă, trebuie să existe o distanță minimă de 65 cm între aparat și plita electrică.
- Evacuarea hotei nu trebuie să fie conectată la canalele de aer care includ alte tipuri de fum.
- Trebuie să aveți grijă atunci când utilizați aparatul cu dispozitive ce utilizează aer și combustibil (de ex., încălzitoare, încălzitoare de apă ce funcționează cu gaz, combustibil diesel, cărbune, lemn

sau încălzitoare de apă) în același mediu. Acest lucru poate afecta negativ combustia, deoarece hota eliberează aerul în mediul înconjurător.

- Acest avertisment nu se referă la utilizarea fără coș de fum.
- Ventilația în cameră poate fi insuficientă atunci când hota pentru plita electrică este folosită simultan cu dispozitive care funcționează cu gaz sau alți combustibili (nu se aplică neapărat în cazul aparatelor care doar evacuează aerul înapoi în cameră)

1.1 Conformitate cu Directiva WEEE și depozitarea la deșeurile a produsului uzat:

Acest produs respectă Directiva UE WEEE (2012/19/UE). Produsul este marcat cu un simbol de clasificare pentru deșeurile electrice și electronice (WEEE).



Acest simbol indică faptul că produsul nu trebuie eliminat cu alte deșeurile menajere la finalul perioadei de utilizare. Dispozitivele utilizate trebuie returnate la punctul special de reciclare de dispozitive electrice și electronice. Pentru a găsi aceste sisteme de colectare contactați autoritățile locale sau distribuitorul de la care a fost achiziționat produsul. Fiecare gospodărie are un rol important în recuperarea și reciclarea electrocasnicilor vechi. Eliminarea corespunzătoare a electrocasnicilor utilizate ajută la prevenirea posibilelor consecințe negative pentru mediu și sănătatea umană.

1 Instrucțiuni importante referitoare la siguranță și mediul înconjurător

Conformitate cu Directiva RoHS:

Produsul pe care l-ați achiziționat respectă Directiva UE RoHS (2011/65/UE). Nu conține materiale dăunătoare și interzise specificate în Directivă.

1.2 Informații despre ambalaj



Ambalajul produsului este fabricat din materiale reciclabile conform Legislației Naționale. Ambalajele nu trebuie aruncate împreună cu gunoiul menajer sau alt tip. Duceți-le la punctele de colectare destinate ambalajelor amenajate de către autoritățile locale

1.3 Pericol Vital Pericol de otrăvire



Imagine 1: Pericol de otrăvire



Imagine 2: Pericol de otrăvire

PERICOL!

Avertisment - Risc de sufocare.



Materialele ambalajului sunt periculoase pentru copii. Nu permiteți copiilor să se joace cu ambalajele.

PERICOL!

Avertisment - Pericol de moarte



Pericol vital, pericol de otrăvire din cauza gazelor de la combustie reabsorbite. La folosirea unui orificiu de evacuare a aerului, nu utilizați aparatul simultan cu obiecte care elimină gaze otrăvitoare, cum ar fi sobe cu circulație a aerului, care funcționează cu gaz, benzină, lemn sau cărbune, sobe de baie, încălzitoare de apă etc., decât dacă e suficient aer. Imagine 3

Obiectele cu circulație a aerului (de ex. sobe care funcționează cu gaz, benzină, lemn sau cărbune, sobe de baie, încălzitoare de apă) extrag aerul din locul de instalare și elimină gazele reziduale prin intermediul unui sistem de gaze reziduale (de ex. coș de fum). Aerul este absorbit de produs în timpul funcționării din bucătărie și camerele vecine. Aspirarea are loc dacă nu este furnizată o cantitate suficientă de aer. În acest caz, gazele otrăvitoare sunt reabsorbite din coșul de fum și conducta de gaze reziduale și revin în casă. Imagine 1

Din acest motiv, trebuie să vă asigurați că există întotdeauna suficient aer curat. Imagine 2

1 Instrucțiuni importante referitoare la siguranță și mediul înconjurător

AVERTISMENT! **Pericol de incendiu!**

Reziduurile de ulei din filtrul de ulei pot lua foc. Curățați filtrul de ulei cel puțin o dată pe lună. Produsul nu trebuie folosit fără filtrul de ulei. Schimbați filtrul de cărbune cel puțin o dată la trei luni.

Reziduurile de ulei din filtrul de ulei pot lua foc. Nu lucrați niciodată cu flacăra lângă produs (de ex. flambă). Este permisă instalarea aparatului lângă un echipament de încălzire care este încălzit cu combustibil solid (de ex. lemn sau cărbune) cu condiția să fie închis cu capac care să nu fie detașabil. Nu trebuie să se provoace scânteii.

Uleiurile vegetale și grăsimile fierbinți se aprind ușor. Aveți întotdeauna grijă la uleiurile și grăsimile vegetale fierbinți. Nu încercați să stingeți incendiul cu apă.

Opriti plita. Acoperiți cu atenție flacăra cu un capac, o pătură ignifugă sau un obiect similar.



Plitele cu gaz care nu au ustensile de gătit pe ele generează căldură mare în timpul funcționării. De aceea, un dispozitiv de ventilație pus pe plită se poate strica sau arde. Folosiți plitele cu gaz doar atunci când este o ustensilă de gătit pe ele.

Dacă folosiți mai multe plite de gaz simultan, se produce o căldură foarte mare. De aceea, un dispozitiv de ventilație pus pe plită se poate strica sau arde. Nu folosiți două plite cu gaz la flacăra mare mai mult de 15 minute. Un arzător cu o putere mai mare de 5kW (Wok) este echivalentul unui arzător cu două nivele de gaz.

AVERTISMENT! **Pericol de electrocutare!**

Un produs defect poate produce electrocutarea! Nu folosiți niciun produs defect. Scoateți-l din priză sau scoateți siguranța din cutia de siguranțe. Sunați centrul de asistență clienți.

Reparațiile care nu respectă instrucțiunile reprezintă o amenințare. Reparațiile și schimbarea cablurilor electrice defecte trebuie să se facă doar un tehnician de la servicii pentru clienți instruit de compania noastră. Dacă produsul este defect, scoateți-l din priză sau scoateți siguranța din cutia de siguranțe. Sunați centrul de asistență clienți.

Apa care se scurge în produs poate produce electrocutarea! Nu folosiți aparate de curățare cu presiune mare sau cu aburi.



1 Instrucțiuni importante referitoare la siguranță și mediul înconjurător

PERICOL!

Pericol de rănire!

Există pericolul de rănire în timpul instalării din cauza marginilor ascuțite. Folosiți întotdeauna mănuși de protecție în timpul instalării produsului.

Toate șuruburile și capacele de siguranță trebuie instalate conform instrucțiunilor din manual, din cauza riscului de cădere a produsului.

Obiectele de pe produs pot cădea. Nu puneți obiecte pe produs.

Lumina LED este prea puternică și vă poate vătăma ochii (grupa de pericol 1). Nu priviți direct în lumina LED mai mult de 100 de secunde.



ATENȚIE

În timpul utilizării echipamentului de gătit, piesele accesibile se pot înfierbânta.



În cazul procedurilor de reparație care nu au fost efectuate în mod corespunzător sau în conformitate cu normele, opriți siguranța sau scoateți produsul din priză. Lucrările de reparații pot fi făcute doar de serviciul autorizat sau personalul calificat autorizat.

În cazul procedurilor de reparație care nu au fost efectuate în mod corespunzător sau în conformitate cu normele, opriți siguranța sau scoateți produsul din priză. Lucrările de reparații pot fi făcute doar de service-ul autorizat sau personalul calificat autorizat.



PERICOL!

Pericol de ardere, pericol de electrocutare!

Așteptați ca produsul să se răcească, înainte de lucrările de curățare sau mentenanță. Opriti siguranța sau scoateți produsul din priză.

Pericolul de deteriorare apare din cauza pătrunderii umidității în părțile electronice. Nu curățați niciodată controlerele cu o cârpă umedă.

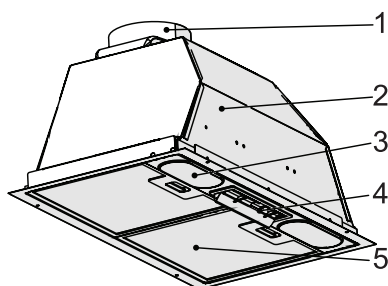
Suprafața se poate deteriora din cauza curățării incorecte. Curățați suprafețele din oțel inoxidabil doar în direcția de periaj. Nu folosiți produsele de curățare a oțelului inoxidabil pentru controlere.

Suprafața se poate deteriora din cauza agenților de curățare abrazivi sau de frecare. Nu folosiți niciodată agenți de curățare abrazivi sau de frecare.



2 Aspect general

2.1 Privire de ansamblu



1. Evacuarea aerului.
2. Corpul aparatului
3. Iluminare plită
4. Panou de comandă
5. Filtru de ulei din aluminiu

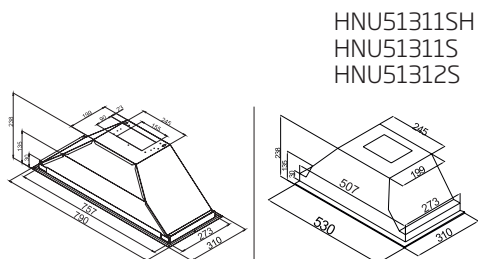
2.2 Date tehnice

CE Acest produs respectă Directiva Europeană CE 2014/30/UE (Directiva privind Compatibilitatea Electromagnetică) și 2014/35/UE (Directiva privind tensiunea joasă (LVD)).

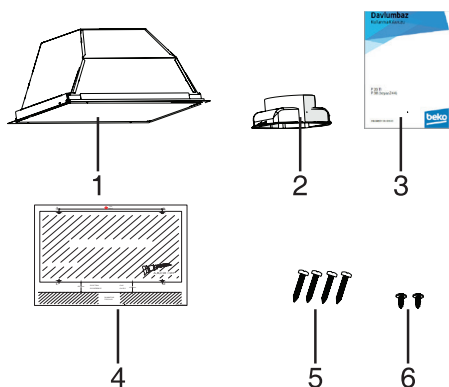
Tensiune de alimentare	220-240V 50 Hz.
Putere lampă (W)	2x3 W
Putere motor (W)	1x185 W
Clasă de izolare motor	F
Clasă de izolare	CLASA I

Modificările tehnice și de proiectare sunt rezervate. Dimensiunile prezentate în desenele tehnice sunt exprimate în mm. Această imagine este furnizată doar pentru informare cu privire la piesele produsului. Piesele pot varia în funcție de modelul produsului. Fotografii sunt doar ilustrative.

2.3 Desen tehnic la scară



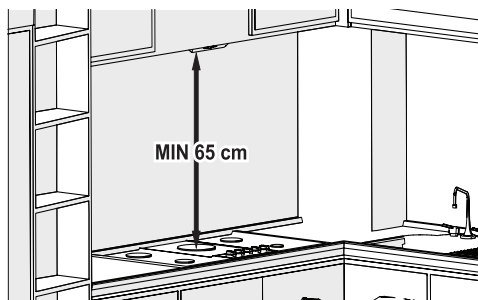
2.4 Conținut ambalaj



1. Hotă
2. evacuare din plastic Ø120 mm
3. Manual de utilizare
4. Draft de instalare
5. Șurub 4 X 3,9 X 32 (Folosit pentru instalarea hotei)
6. Șurub 3.5 x 9.5 (Folosit pentru instalarea evacuării din plastic)

3 Instalarea și utilizarea produsului

3.1 Poziția produsului



- Trebuie să aveți grijă să păstrați distanța dintre plită și hotă înainte de instalare. Distanța trebuie să fie de 65 de cm.
- Trebuie să se măsoare de la suprafața grătarului pe plitele cu gaz și de la suprafața de sticlă pe plitele electrice.



Noul dvs. produs este deosebit de eficient din punct de vedere energetic. Mai jos sunt câteva recomandări despre cum să economisiți mai multă energie în timpul utilizării produsului și cum să distrugeți aparatul într-un mod adecvat.

3.2 Acțiuni pentru economisirea energiei;

- Asigurați suficientă admisie a aerului pentru a face hota să funcționeze eficient și cu zgomot redus de funcționare în timpul gătitului.
- Setați nivelul ventilatorului în funcție de densitatea aburului din bucătărie. Folosiți nivelul ridicat doar atunci când este necesar. Un nivel inferior al ventilatorului înseamnă un consum redus de energie.
- Dacă știți că se va face mult fum în bucătărie, selectați dinainte un nivel mai înalt al ventilatorului. Este necesar să lăsați hota să funcționeze mult mai mult timp pentru a elimina fumul deja răspândit în bucătărie.

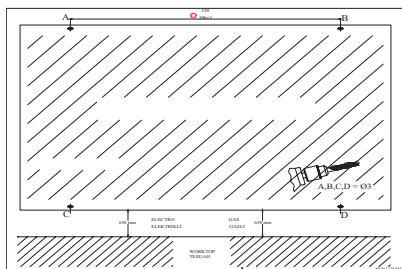
- Opriți hota atunci când nu o folosiți.
- Curățați sau înlocuiți filtrul la intervalele indicate, pentru ca eficiența ventilației să crească, iar pericolul de incendiu să fie eliminat.

3.3 Instalarea produsului



ATENȚIE

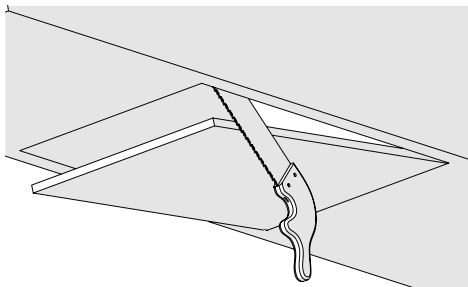
Folosiți mănuși și ochelari de protecție în timpul operațiunilor de găurire și tăiere.



Imagine 6

Efectuarea orificiilor pentru montare.

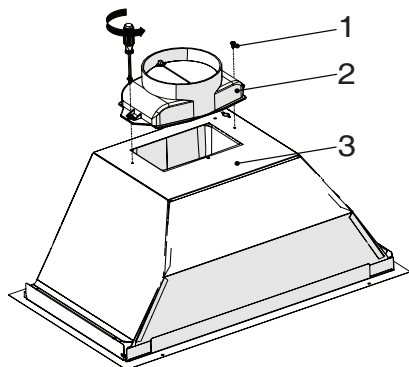
- Fixați șablonul de instalare prevăzut pe suprafața unde se va face instalarea.
- Efectuați orificiile indicate pe șablonul de instalare cu A, B, C, D cu ajutorul unui bit de găurire cu diametrul de 4 mm. Imagine 6



Imagine 7

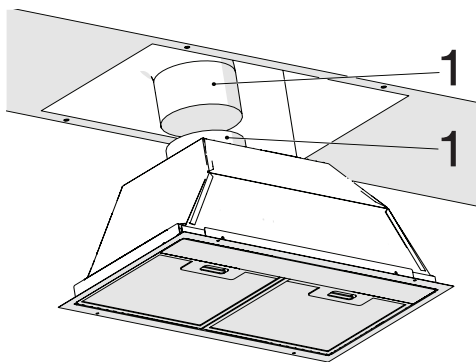
3 Instalarea și utilizarea produsului

- Tăiați suprafața inferioară a dulapului unde va fi instalată hota la dimensiunile specificate în desenul tehnic (Imagine 7).



Imagine 8

1. Șurub 3,5 x 9,5
 2. Evacuare de plastic Ø120 mm
 3. Locașulștiftului vanei principale
- Atașați evacuarea din plastic pe care o găsiți în pachet la corpul aparatului folosind 2 șuruburi 3,5 x 9,5. (Imagine 8) Imagine 8



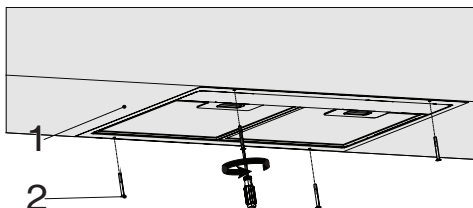
Imagine 9

1. Conductă de eliminare a aerului
 2. Evacuarea aerului a hotei
- Atașați conducta de eliminare a aerului la evacuarea aerului și fixați cu ajutorul clemei (Imagine 9).

ATENȚIE



Întrucât coturile evacuării din aluminiu vor cauza scăderea puterii de absorbție a aerului, utilizarea acestora trebuie evitată pe cât posibil.

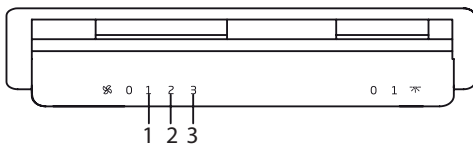


Imagine 10

1. Partea inferioară a dulapului de bucătărie
 2. Șurub pentru instalarea hotei 4 X 3,9 X 32
- Așezați hota în dulapul de bucătărie și atașați hota de cele 4 orificii de montare efectuate înainte (imaginea 10)

3.4 Utilizarea aparatului

3.4.1 Utilizarea comutatorului basculant



- Mutați comutatorul în poziția '0' pentru a opri lampa.
- Mutați comutatorul în poziția '1' pentru a porni lampa.
- Mutați comutatorul în poziția '0' pentru a opri motorul.
- Puteți acționa motorul la minim primul nivel de viteză și maxim al treilea nivel de viteză în funcție de densitatea aburului.

3 Instalarea și utilizarea produsului

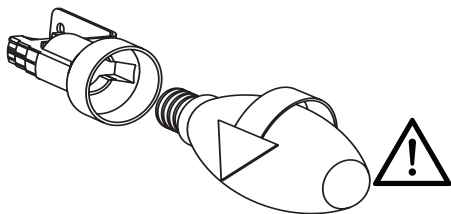
3.5 Înlocuirea lămpii

3.5.1 Înlocuirea becului tip lumânare



AVERTISMENT

Opriiți sursa de alimentare a hotei. Lămpile vă pot arde mâinile când sunt încă fierbinți, prin urmare, așteptați să se răcească.



Imagine 11: Înlocuirea becului tip lumânare

- Scoateți filtrul din aluminiu al cartușului. Scoateți lampa defectă și înlocuiți-o cu una care are aceeași valoare. Imagine 11



REȚINEȚI:

Dacă produsul se strică sau se deteriorează, opriți siguranța sau scoateți aparatul din priză și sunați agentul de service autorizat.



REȚINEȚI:

În cazul în care cablul de alimentare este avariât, acesta trebuie să fie înlocuit de către producător, un agent service sau o persoană calificată pentru prevenirea pericolelor.



REȚINEȚI:

Închideți siguranța sau scoateți produsul din priză, dacă se strică lămpile produsului. Înlocuiți imediat lămpile stricate pentru a preveni suprasolicitarea lămpilor funcționale (așteptați mai întâi să se răcească).

4 Curățare și mentenanță

ATENȚIE

Pericol de deteriorare din cauza coroziunii. Produsul trebuie folosit continuu în timp ce gătiți, pentru a preveni formarea condensului. Condensul poate cauza deteriorarea prin coroziune. Înlocuiți imediat lămpile stricate pentru a preveni suprasolicizarea lămpilor funcționale. Pericolul de deteriorare apare din cauza pătrunderii umidității în părțile electronice. Nu curățați niciodată controlerele cu o cârpă umedă. Suprafața se poate deteriora din cauza curățării incorecte. Curățați suprafețele din oțel inoxidabil doar în direcția de periaj. Nu folosiți produsele de curățare a oțelului inoxidabil pentru controlere. Suprafața se poate deteriora din cauza agenților de curățare abrazivi sau de frecare. Nu folosiți niciodată agenți de curățare abrazivi sau de frecare. Există pericolul de deteriorare din cauza refluxului condensului. Instalați conducta de evacuare a aerului cu o pantă de 1°, ușor în josul produsului.



ATENȚIE

Puteți utiliza acest produs în modul de evacuare a aerului rezidual și în modul de aer recirculat.



Mod aer rezidual

Aerul absorbit este curățat de filtrele de ulei și expulzat prin intermediul unui sistem de conducte. (Imagine 3) Dacă doriți să transferați aerul rezidual într-un coș de fum sau gaz rezidual dezactivat, trebuie să obțineți permisiunea unui specialist autorizat pentru curățarea coșului de fum. Dacă aerul rezidual este eliminat prin peretele extern, trebuie folosit un cadru de perete telescopic.



Aerul absorbit este curățat de filtrele de ulei și un filtru de carbon activ și retransferat în bucătărie. Imagine 4



NOTĂ!

Aerul rezidual nu trebuie transferat într-un coș de fum sau gaz sau către un coș folosit pentru ventilarea locurilor unde sunt instalate surse de încălzire.



Pentru a sigila materialele care provoacă miros în modul de aer recirculat, trebuie să instalați un filtru de carbon activ. Consultați distribuitorul autorizat pentru a afla oportunități diferite de utilizare a produsului în modul de aer recirculat. Puteți cumpăra accesoriile necesare pentru această procedură de la punctele de vânzare relevante, agenții de service autorizați sau centrul de vânzări online.

Produsul pe care l-ați cumpărat este adecvat pentru utilizarea cu filtru de carbon. Pentru a atașa filtrul de carbon;

1- Puneți filtrul de carbon în carcasa sa. Imagine 15/1

2 - Rotiți filtrul de carbon în sensul acelor de ceasornic pentru a vă asigura că este strâns bine. Imagine 15/2



Res.13



Res.14



Res.15



Dacă filtrul de carbon nu este atașat corespunzător, poate cădea și poate deteriora produsul.

4 Curățare și mentenanță



ATENȚIE

Nu spălați niciodată filtrele de carbon. Nu țineți filtrele de carbon la îndemâna copiilor.



ATENȚIE

Copii nu au voie să facă lucrări de curățare sau întreținere fără supraveghere.

- Suprafața se poate deteriora din cauza agenților de curățare abrazivi sau de frecare. Nu folosiți niciodată agenți de curățare abrazivi și de frecare. Cumpărați agenți de curățare și materialele de protecție potrivite pentru produsul dvs. de la serviciul dvs. autorizat. Suprafața produsului și controlerele sunt sensibile la zgâriere.
- Curățați suprafețele cu o cârpă moale și umedă, lichid de spălat vase sau un agent slab de curățare geamuri. Înmuiiați murdăria uscată și aderentă cu o cârpă umedă. Nu zgâriați!
- Cârpele uscate, bureții care pot zgâria, materialele care necesită frecare, nisipul și alți agenți eficienți de curățare care conțin apă minerală, acid sau clorură nu sunt adecvați.
- Curățați suprafețele din oțel inoxidabil doar în direcția de șlefuire.
- Nu folosiți un agent de curățare oțel inoxidabil sau cârpe ude pentru unitățile de comandă. Curățarea filtrelor de ulei metalice Filtrele de ulei metalice uzate rețin umiditatea generată în bucătărie și particulele uleioase din abur. În cazul utilizării regulate (1 - 2 ore pe zi), curățați filtrele de ulei de metal aproximativ o dată la 3 luni.
- Nu folosiți agenți de curățare extrem de eficienți, acidulați sau corozivi.
- Pentru curățarea filtrelor de ulei metalic, folosiți o cârpă umedă pentru a curăța părțile componente ale filtrelor de ulei din interiorul produsului.
- Puteți curăța filtrele de ulei din metal în mașina de spălat vase sau manual.
- Nu aplicați agenți de curățare cu pulverizator direct pe aparat.
- Nu așezați obiecte inflamabile și/sau grele pe

aparat.

4.1 Spălare în mașina de spălat

- În cazul spălării în mașina de spălat vase, poate apărea o ușoară decolorare. Acest lucru nu afectează funcția filtrului de ulei din metal.
- Nu spălați filtrele de ulei din metal foarte murdare împreună cu vasele.
- Așezați filtrele de ulei din metal în mașina de spălat vase la întâmplare sau liber. Filtrele de ulei din metal trebuie așezate în mașina de spălat vase fără a fi înghesuite.

4.2 Spălare manuală

- Puteți folosi un agent special de dizolvare a uleiului pentru murdăria uscată care rezistă. Găsiți acest agent la centrul de vânzări autorizat.
- Înmuiiați filtrul de ulei metalic în apă fierbinte care conține lichid de spălat vase.
- Folosiți o perie pentru curățare și așteptați ca lichidul de pe filtrul de ulei din metal să fie bine golit. Clătiți bine filtrele după curățare.
- Specificațiile tehnice și acest manual pot fi modificate fără o notificare prealabilă.
- Acest produs respectă Regulamentul privind supravegherea echipamentelor electrice și electronice uzate.
- Această hotă este concepută pentru a fi utilizată deasupra plitei. Asigurați-vă că peretele poate suporta greutatea hotă. Costurile de strivire, tăiere și proceduri similare care trebuie efectuate pe perete sau în dulap în timpul instalării trebuie să fie suportate de consumator. Hota poate fi utilizată cu coș de evacuare, care evacuează aerul sau fără coș (prin atașarea filtrului de carbon). Fiți atenți la problemele care pot apărea înainte sau în timpul instalării. Instalarea trebuie efectuată de un agent de service autorizat. Instalarea trebuie efectuată de un specialist autorizat care se pricepe la ventilație. Durata de viață a produsului identificată de Ministerul Industriei (perioada de disponibilitate pentru piesele de schimb necesare pentru realizarea funcțiilor produsului) este de 10 (zece) ani.
- Produsul dvs. trebuie păstrat în ambalajul său original pentru a evita deteriorarea

4 Curățare și mentenanță

componentelor acestuia în timpul manipulării și transportului.

- Păstrați produsul în poziția normală în timpul manipulării.
- Nu scăpați produsul pe jos și protejați-l împotriva deteriorării în timpul transportului. Garanția nu acoperă defecțiunile și daunele produse în timpul transportului după livrarea produsului la client.



CERTIFICAT DE GARANȚIE

Tensiune de alimentare/frecvență: 220-240V~, 50-60Hz
Importator: ARCTIC S.A., Găești, Dâmbovița, str. 13 Decembrie nr. 210, email: office@arctic.ro

TIP: **Electrocasnice mici de bucătărie - 3 ani** **Cuptor cu microunde - 3 ani**
 Aspirator - 2 ani **Fier de călcat - 2 ani**

Model / Serie:

VÂNZĂTOR

Nr. factură: Data:

Vânzător (firma, localitatea):

CUMPĂRĂTOR

Nume Localitatea

Str. Nr. Bloc Sc. Et. Ap.

Județ Telefon E-mail

S-a efectuat proba de funcționare a aparatului, s-a prezentat modul de folosire, s-au predat instrucțiunile de utilizare și toate accesoriile. Am primit aparatul în perfectă stare de funcționare.

Stimați clienți,

La cumpărare vă recomandăm să solicitați efectuarea probei de funcționare și să verificați existența instrucțiunilor de utilizare și a accesoriilor.

Pentru a putea beneficia de toate avantajele produselor și serviciilor noastre vă rugăm:

- să citiți cu atenție și să respectați recomandările prezentate în "Instrucțiunile de utilizare".

- să păstrați cu grijă acest certificat pentru a-l putea prezenta (împreună cu documentul fiscal de achiziție), personalului SERVICE ARCTIC, la orice sesizare efectuată în perioada de garanție.

Vă mulțumim că ați optat pentru cumpărarea unui produs Beko!

Durata medie de utilizare a produselor BEKO este de 5 ani!

Perioada de garanție legală de conformitate este de 2 ani de la intrarea produsului în posesia consumatorului.

Perioada de garanție comercială este de 3 ani de la intrarea produsului în posesia consumatorului.

Art. 22, alin. 3-6, din L449/2003, modificată de OG 9/2016:

- (3) Timpul de nefuncționare din cauza lipsei de conformitate apărute în cadrul termenului de garanție prelungește termenul de garanție legală de conformitate și cel al garanției comerciale și curge, după caz, din momentul la care a fost adusă la cunoștința vânzătorului lipsa de conformitate a produsului sau din momentul prezentării produsului la vânzător/unitatea service până la aducerea produsului în stare de utilizare normală și, respectiv, al notificării în scris în vederea ridicării produsului sau predării efective a produsului către consumator.

- (4) Produsele de folosință îndelungată care înlocuiesc produse defecte în cadrul termenului de garanție vor beneficia de un nou termen de garanție care curge de la data preschimbării produsului.

- (5) Produsele de folosință îndelungată defectate în termenul de garanție legală de conformitate, atunci când nu pot fi reparate sau când durata cumulată de nefuncționare din cauza deficiențelor apărute în termenul de garanție legală de conformitate depășește 10% din durata acestui termen, la cererea consumatorului, vor fi înlocuite de vânzător sau acesta va restituți consumatorului contravaloarea produsului respectiv.

- (6) Termenul de garanție curge de la data intrării bunului respectiv în posesia consumatorului, inclusiv pentru bunurile noi de folosință îndelungată, obținute prin tragere la sorți la tombola, câștigate la concursuri și similare sau acordate cu reducere de preț ori gratuit de către operatorii economici.

Garanția oferită nu exclude garanția de viciu ascuns, conform OG 21/1992 (R2) privind protecția consumatorului și Codul Civil.



Service-ul acestui produs este asigurat de ARCTIC S.A., cu sediul în Găești, Dâmbovița, str. 13 Decembrie nr. 210. *9010 • www.arctic.ro • www.beko.ro • e-mail: service@arctic.ro
Program Call Center: Luni - Vineri 08:30 - 20:00; Sâmbătă 08:30 - 17:00

1.1. Seguridad general

- Este aparato puede ser utilizado por niños a partir de los 8 años y por personas con capacidades físicas, sensoriales o mentales reducidas y con la experiencia y los conocimientos adecuados, a condición de que sean supervisadas e informadas sobre el uso seguro del aparato y los riesgos que conlleva.
- No deje que los niños jueguen con el aparato. Las tareas de limpieza y mantenimiento no deben dejarse en manos de niños a menos que sean supervisados por un adulto.
- Este aparato se ha diseñado para uso doméstico.
- El voltaje de funcionamiento del producto es de 220-240 Voltios~50 Hz.
- Un enchufe con conexión a tierra está conectado al cable de alimentación del aparato. Este cable se debe enchufar en una toma con conexión a tierra.
- La instalación eléctrica debe realizarla un electricista cualificado.
- La instalación realizada por personas no autorizadas puede provocar un funcionamiento de bajo rendimiento, daños en el aparato y accidentes.
- Debe impedirse que el cable de alimentación se bloquee en un lugar o se dañe durante la instalación. El cable de alimentación no debe estar cerca de la zona de cocción. En estos casos, el cable puede derretirse y provocar un incendio.
- No enchufar antes de que el producto esté instalado.
- Asegúrese de que el enchufe esté en un lugar de fácil acceso para cortar la corriente en caso de peligro.
- No toque las lámparas si han estado en funcionamiento durante mucho tiempo. Pueden ocasionar quemaduras en las manos ya que estarán calientes.
- Las campanas extractoras están fabricadas para ser usadas en cocinas normales y para uso doméstico. En caso de que se utilice para otros fines, el aparato podría averiarse y la garantía quedará anulada.
- Siga las normas establecidas por las autoridades competentes para la descarga del aire de salida (esta advertencia no es aplicable sin la conexión de la chimenea).
- No cocine alimentos inflamables debajo del aparato.
- Encienda el aparato después de colocar una olla, una sartén, etc,

en los fogones. De lo contrario, las altas temperaturas pueden provocar deformaciones en algunas partes del aparato.

- Apague los fogones antes de retirar las ollas, los sartenes, etc.
- No deje aceite caliente en los fogones. Las sartenes con aceite caliente pueden ocasionar auto-combustión.
- Preste atención a las cortinas y los mantas, ya que, al cocinar platos como patatas fritas, el aceite puede originar un incendio.
- Asegúrese de que los filtros son reemplazados a tiempo. Existe el riesgo de incendio debido a la acumulación de aceite en los filtros que no se han cambiado a tiempo.
- No utilice materiales filtrantes que no sean resistentes al fuego en lugar del filtro.
- No utilice el aparato sin el filtro y no retire los filtros mientras el aparato esté en funcionamiento.
- En caso de incendio, corte la corriente de la campana y de los electrodomésticos de cocina. (Desenchufe el aparato o apague el interruptor principal).
- Existe el riesgo de incendio si no se limpia correctamente de forma periódica.
- Corte la corriente del aparato antes de realizar trabajos de mantenimiento. (Desenchufe el aparato o apague el interruptor principal).
- La presión negativa en el ambiente no debe superar los 4 Pa (4 x 10 bar) cuando la campana para una cocina eléctrica funcione simultáneamente con dispositivos de otro tipo de energía excepto la electricidad.
- En la estancia en donde se encuentra el aparato, el escape de equipos de combustible o gas, como calefactores, deben ser herméticos o estar absolutamente aislados.
- Para la conexión de la chimenea, use tuberías de 120 o 150 mm de diámetro. La conexión de las tuberías debe ser lo más corta posible y tener la menor cantidad de codos de tubería.
- No deje que los niños jueguen con el aparato.
- Para su seguridad, use un fusible de "Máx. 6A" en la instalación de la campana extractora.
- Mantenga los materiales de empaque fuera del alcance de los niños ya que pueden representar un peligro para ellos.
- En caso de que el cable de alimen-

1 Instrucciones importantes para la seguridad y el medio ambiente

tación presente daños, deberá ser sustituido por el fabricante, su servicio técnico o una persona cualificada con el fin de evitar cualquier peligro.

- En caso de incendio, corte la corriente de la campana y de la zona de cocción, y cubra la llama. Nunca apague el fuego con agua.
- Cuando se estén utilizando elementos de cocina, los mangos y las asas se puede calentar.
- Este aparato no está destinado a personas (incluidos niños) con habilidades físicas, sensoriales o mentales reducidas, o con falta de experiencia y conocimiento, salvo que una persona responsable de su seguridad las vigile o las guíe durante la manipulación del aparato.
- Una vez finalizada la instalación de la campana para vitrocerámicas, debe haber una distancia mínima de 65 cm entre el aparato y las vitrocerámicas.
- El canal de salida de la campana no debe estar conectado a canales de aire por los que pasan humo.
- Se debe tener cuidado cuando el aparato se utiliza con dispositivos que utilizan aire y combustible (por ejemplo, calentadores, calentadores de agua que funcionan

con gas, gasóleo, carbón, leña, o calentadores de agua) en el mismo entorno. Esto puede afectar negativamente la combustión dado que la campana descarga el aire en el ambiente.

- Esta advertencia no se aplica a la utilización sin chimenea.
- La ventilación del ambiente puede ser insuficiente cuando la campana extractora para vitrocerámica se utiliza al mismo tiempo que los aparatos que funcionan con gas u otros combustibles (esto puede no ser aplicable a los aparatos que solamente descargan el aire de nuevo en el ambiente).

1.1 Conformidad con la normativa WEEE y eliminación del aparato al final de su vida útil:

Este producto es conforme con la directiva de la UE sobre residuos de aparatos eléctricos y electrónicos (WEEE) (2012/19/UE). Este producto incorpora el símbolo de la clasificación selectiva para los residuos de aparatos eléctricos y electrónicos (WEEE).



Este símbolo indica que este producto no debe eliminarse con otros desechos domésticos al final de su vida útil. El dispositivo usado debe ser devuelto al punto de recogida oficial para el reciclaje de los dispositivos eléctricos y electrónicos. Para encontrar estos sistemas de recogida, por favor, póngase en contacto con las autoridades locales o con el distribuidor donde se

1 Instrucciones importantes para la seguridad y el medio ambiente

compró el producto. Cada hogar desempeña un papel importante en la recuperación y el reciclaje de los aparatos antiguos. La eliminación adecuada de los aparatos usados ayuda a prevenir las posibles consecuencias negativas para el medio ambiente y la salud humana.

Cumplimiento de la directiva RoHS:

El producto que ha adquirido es conforme con la directiva de la UE sobre la restricción de sustancias peligrosas (RoHS) (2011/65/UE). No contiene ninguno de los materiales nocivos o prohibidos especificados en la directiva.

1.2 Información de embalaje



El embalaje del producto está fabricado con material reciclable de acuerdo con las normativas nacionales sobre medio ambiente. No se deshaga del material de embalaje ni de los desechos domésticos o de otro tipo. Llévelos a los puntos de recogida de material de embalaje designados por las autoridades locales.

1.3 Riesgo vital peligro de intoxicación



Fig. 1: Peligro de intoxicación



Fig. 2: Peligro de intoxicación



¡PELIGRO! Advertencia - Peligro de asfixia

Los materiales de embalaje son peligrosos para los niños. No permita que los niños jueguen con el material de embalaje.



¡PELIGRO! Advertencia - Peligro de muerte

Riesgo vital, el peligro de intoxicación se produce debido a la reabsorción de los gases de combustión. Para su uso con salida de aire, no encienda el aparato al mismo tiempo que se utilizan objetos que expulsan gases tóxicos, como estufas con circulación de aire a gas, aceite, madera o carbón, estufas de baño, calentadores de agua, etc., a menos que se suministre suficiente aire. Fig. 3

Objetos con circulación de aire (por ej., estufas a gas, petróleo, leña o carbón calderas) recuperan el aire del lugar donde se encuentran y expulsan los gases residuales a través de un sistema de gases residuales (por ej., una chimenea). Durante su uso, el aparato absorbe el aire de la cocina y de las estancias cercanas. La extracción ocurre si no hay suficiente cantidad de aire. En este caso, los gases tóxicos son absorbidos por el conducto de humos y

1 Instrucciones importantes para la seguridad y el medio ambiente

gases residuales y regresan al hogar. Fig. 1

Por esta razón, debe asegurarse de que el aire limpio se suministre siempre en cantidad suficiente. Fig. 2

¡ADVERTENCIA! ¡Peligro de incendio!

Los sedimentos de aceite en el filtro de aceite pueden provocar un incendio. Limpie el filtro de aceite al menos una vez al mes. No utilice el aparato sin el filtro de aceite. Cambie el filtro de carbón al menos una vez cada tres meses.

Los sedimentos de aceite en el filtro de aceite pueden provocar un incendio. Nunca trabaje con fuego cerca del aparato (por ej., flambeado). Solamente está permitido instalar el aparato cerca de un calentador para combustible sólido (leña o carbón) siempre que tenga una cubierta cerrada no desmontable. No deben saltar chispas.

Los aceites y grasas vegetales calientes se inflaman fácilmente. Siempre se debe prestar atención a los aceites y grasas vegetales calientes. No intente apagar el fuego con agua.

Apague la zona de cocción. Cubra cuidadosamente el fuego con una tapa, una manta contra incendios o un objeto similar.



Los fogones a gas que no tienen encima ningún elemento de cocina generan mucho calor durante el funcionamiento. Por eso, un dispositivo de ventilación colocado encima de la zona de cocción puede dañarse o quemarse. Utilice fogones a gas únicamente con recipientes de cocina encima.

El uso de más de un fogón a gas genera mucho calor. Por eso, un dispositivo de ventilación colocado encima de la zona de cocción puede dañarse o quemarse. No utilice dos fogones a gas a fuego máximo por más de 15 segundos. Un quemador con más de 5 kW (wok) de potencia equivale a un quemador con dos niveles de gas.



¡ADVERTENCIA!
¡Peligro de descarga eléctrica!

Un aparato defectuoso puede ocasionar una descarga eléctrica. No utilice ningún aparato defectuoso. Desenchúfelo o apague el fusible de la caja de fusibles. Llame al centro de atención al cliente.

Las reparaciones que no cumplan con las instrucciones pueden ser peligrosas. Las reparaciones y los cambios de los cables eléctricos defectuosos deben realizarse únicamente por nuestros técnicos capacitados de atención al cliente. Si el aparato está dañado, desenchúfelo o apague el fusible desde la caja de fusibles. Llame al centro de atención al cliente.

Una fuga de agua dentro del aparato puede ocasionar una descarga eléctrica. No se deben utilizar limpiadores de alta presión o a vapor.



¡PELIGRO!
¡Peligro de lesiones!

Existe peligro de lesiones durante la instalación debido a los bordes afilados. Use siempre guantes protectores durante la instalación del aparato.

Se deben instalar todos los pernos y cubiertas de seguridad descritos en el manual de usuario para evitar la caída del aparato.

Los objetos colocados sobre del aparato puede caerse. No coloque ningún objeto sobre el aparato.

Las luces LED son muy luminosas y pueden dañar los ojos (grupo de riesgo 1). No mire directamente a las luces LED durante más de 100 segundos.



CUIDADO

Los mangos y las asas de los elementos de cocina pueden alcanzar temperaturas elevadas al usarse.



En caso de que las reparaciones no se hayan hecho correctamente o sin seguir las instrucciones, por favor apague fusible o desenchufe el aparato. Los trabajos de reparación solo pueden realizarse por el servicio autorizado o por personal cualificado y autorizado.

En caso de que las reparaciones no se hayan hecho correctamente o sin seguir las instrucciones, por favor apague fusible o desenchufe el aparato. Los trabajos de reparación solo pueden ser realizados por el servicio técnico autorizado o por personal cualificado autorizado.



¡PELIGRO!
¡Peligro de quemaduras,
peligro de descargas
eléctricas!

Espere a que el aparato se enfríe antes de realizar trabajos de mantenimiento o de limpieza. Apague el fusible o desenchufe el aparato.

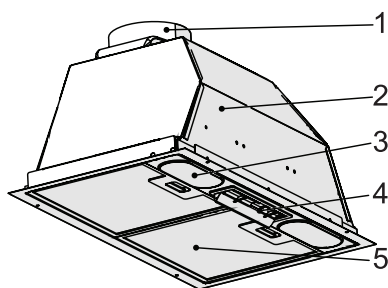
Riesgo de daños por humedad dentro del sistema electrónico. Nunca limpie los controles con un trapo húmedo.

La limpieza inadecuada puede dañar la superficie. Limpie las áreas de acero inoxidable siempre en la misma dirección. No use productos para acero inoxidable para limpiar los controles.

La superficie puede dañarse al usar productos de limpieza abrasivos o corrosivos. Nunca use productos de limpieza abrasivos o corrosivos.

2 Apariencia general

2.1 Información general



1. Chimenea de escape de aire
2. Cuerpo
3. Iluminación de placas vitrocerámicas
4. Panel de control
5. Filtro de aluminio para aceite

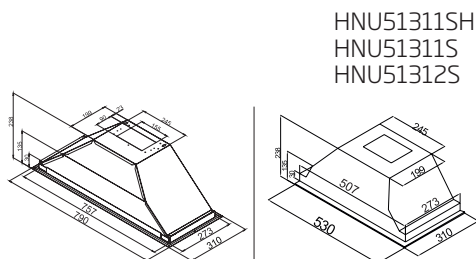
2.2 Datos técnicos

CE Este aparato cumple con las directivas europeas 2014/30/EU (Directiva de Compatibilidad Electromagnética) y 2014/35/EU Directiva de Baja Tensión (LVD)].

Tensión de alimentación	220-240 V 50 Hz.
Potencia de la iluminación (W)	2 x 3 W
Potencia del motor (W)	1 x 185 W
Clase de aislamiento del motor	F
Clase de aislamiento	CLASE 1

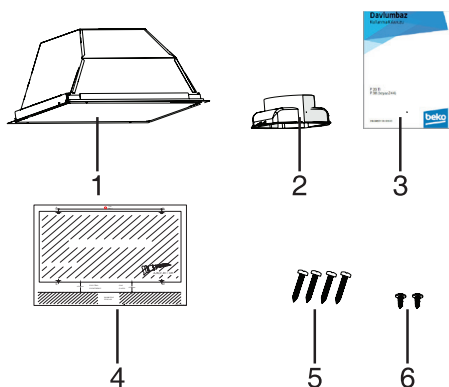
Queda reservado el derecho a modificaciones técnicas y de diseño. Las dimensiones indicadas en los planos técnicos están expresadas en mm, esta imagen se proporciona únicamente para informar sobre las partes del aparato. Las partes pueden variar de acuerdo al modelo del aparato. Las figuras se proporcionan de manera representativa.

2.3 Dibujo técnico a escala



HNU71311S

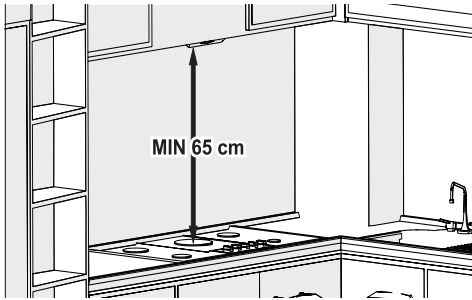
2.4 Contenido del paquete



1. Campana extractora
2. Chimenea de plástico de $\varnothing 120$ mm
3. Manual de usuario
4. Esquema de instalación
5. Tornillo 4 X 3,9 X 32
(Utilizado para la instalación de la campana extractora)
6. Tornillo 3,5 x 9,5
(Utilizado para la instalación de la chimenea de plástico)

3 Instalación y uso del aparato

3.1 Posición del aparato



- Se debe prestar atención a la distancia entre la placa de cocción y la campana antes de la instalación. La distancia debe ser de 65 cm.
- La medida debe tomarse desde la superficie de la zona de cocción a gas y desde la superficie de cristal en las placas de cocción eléctricas



Su nuevo producto tiene una alta eficiencia energética. Aquí encontrará algunos consejos sobre cómo ahorrar más energía al utilizar el aparato y cómo destruirlo de forma adecuada.

3.2 Cómo ahorrar energía;

- Asegúrese de que la entrada de aire sea suficiente para que la campana funcione eficientemente y con bajo nivel de ruido durante la cocción.
- Ajuste el nivel de ventilación de acuerdo a la cantidad de vapor producido en la cocina. Use el nivel más alto solo cuando sea necesario. Un nivel de ventilación más bajo supone un menor consumo de energía.
- Si se espera un humo denso en la cocina, selección un nivel más alto de ventilación con antelación. Es necesario que la campana quede en funcionamiento por más tiempo para eliminar el humo que haya quedado en la cocina.
- Apague la campana cuando no esté en uso.

- Limpie o reemplace el filtro de acuerdo a lo indicado para aumentar la eficiencia de la ventilación y evitar el peligro de incendio.

3.3 Instalación del aparato



CUIDADO

Use guantes y gafas de protección mientras se realicen tareas de recorte o perforación.

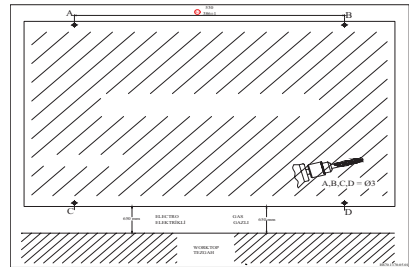


Fig. 6

Perforación de agujeros de montaje

- Pegue la plantilla de instalación suministrada con el aparato sobre la superficie en la que se va a realizar la instalación.
- Perfore los agujeros A, B, C y D indicados en el esquema de instalación utilizando una broca Ø4 mm. Fig. 6

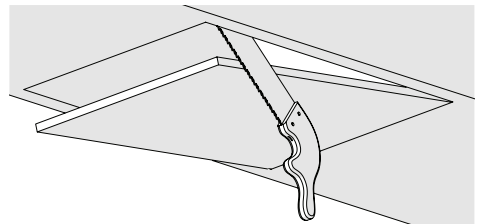


Fig. 7

- Corte la superficie inferior del cuerpo donde se

3 Instalación y uso del aparato

instalará la campana en las dimensiones especificadas en el dibujo técnico (Fig. 7).

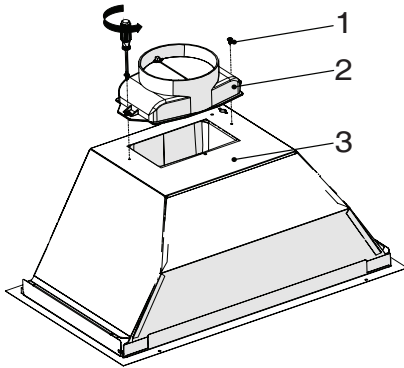


Fig. 8

1. Tornillo 3,5 x 9,5
2. Chimenea de plástico de Ø120 mm
3. Cuerpo/Enchufe de la campana

- Fije la chimenea de plástico contenida en el paquete al cuerpo del aparato mediante 2 tornillos de 3,5 x 9,5. (Fig. 8) No rozar contra la superficie. Fig. 8

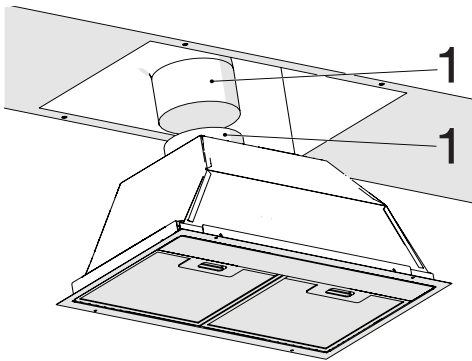


Fig. 9

1. Tubería de salida de aire
2. Tubería de escape de aire de chimenea de la campana

- Acople la tubería de salida de aire a la salida de aire de chimenea y sujétarla con una abrazadera (Fig. 9).



CUIDADADO

Evite doblar la tubería de aluminio o poner codos de tubería tanto como sea posible, ya que esto provocará una disminución de la potencia de succión de aire.

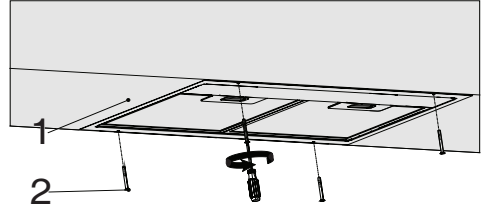


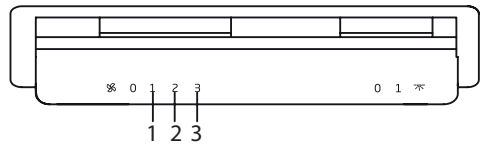
Fig. 10

4. Vista inferior del mueble de cocina
5. Tornillo de montaje de la campana de 4 X 3,9 X 32

- Coloque la campana en el mueble de la cocina y sujétela a los 4 agujeros de instalación previamente realizados (Fig. 10).

3.4 Uso del aparato

3.4.1 Uso del interruptor oscilante



- Coloque el interruptor de la lámpara en la posición "0" para apagar la lámpara.
- Coloque el interruptor de la lámpara en la posición "1" para encender la lámpara.
- Coloque el interruptor del motor en la posición "0" para apagar el motor.
- Puede accionar el motor en el primer nivel de velocidad (mínimo) y en el tercer nivel de velocidad (máximo) dependiendo de la densidad del vapor de la cocina.

3 Instalación y uso del aparato

3.5 Reemplazo de la lámpara

3.5.1 Reemplazo de la bombilla



ADVERTENCIA

Corte el suministro de electricidad de la campana. Las lámparas pueden causar quemaduras en las manos mientras estén calientes, así que espere a que se enfríen.

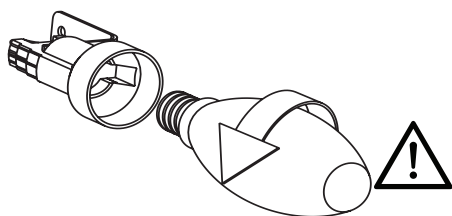


Fig. 11: Reemplazo de la bombilla

- Retire el filtro de cartucho de aluminio. Retire la lámpara defectuosa y reemplácela por una nueva del mismo valor. Fig. 11



NOTA:

Si el aparato se rompe o se daña, apague el fusible o desenchufe el aparato y llame al servicio técnico autorizado.



NOTA:

Si el cable de alimentación presenta daños, deberá ser sustituido por el fabricante, su agente del servicio técnico o por personal cualificado para evitar cualquier peligro.



NOTA:

Apague el fusible o desenchufe el aparato en caso de avería de las lámparas del aparato. Reemplace de inmediato las lámparas defectuosas para evitar que otras lámparas se sobrecarguen (espere a que las lámparas se enfríen primero).

4 Limpieza y mantenimiento

CUIDADO

Peligro de daños por corrosión. Encienda el aparato siempre que se esté cocinando para evitar la formación de condensación. La condensación puede provocar daños por corrosión. Reemplace de inmediato las lámparas defectuosas para evitar que otras lámparas se sobrecarguen. El riesgo de daños se produce debido a la infiltración de humedad en la parte electrónica. Nunca limpie los controles con un trapo húmedo. La limpieza inadecuada puede dañar la superficie. Limpie las áreas de acero inoxidable siempre en la misma dirección. No use productos para acero inoxidable para limpiar los controles. La superficie puede dañarse al usar productos de limpieza abrasivos o corrosivos. Nunca use productos de limpieza abrasivos o corrosivos. Existe el riesgo de daños debido al reflujo de condensado. Instale el conducto de salida de aire con una pequeña inclinación hacia abajo (1° de desnivel).



CUIDADO

Este aparato puede utilizarse en modo de aire residual y en modo de recirculación de aire.



Modo de aire residual

El aire aspirado es limpiado por los filtros de aceite y expulsado a través de un sistema de tuberías. (Fig. 3) Si desea transferir el aire residual a un conducto de humos o de gases residuales inhabilitado, deberá obtener el permiso de un especialista autorizado en limpieza de humos. Si el aire residual se expulsa a través de una pared exterior, se debe colocar un soporte de pared retráctil.



El aire aspirado es limpiado por los filtros de aceite y por un filtro de carbón activo y reenviado a la cocina. Fig. 4



¡NOTA!

El aire residual no debe pasar por los sistemas de salida de gas residual o de humo, ni tampoco por las tuberías de ventilación de los lugares en donde se encuentran instaladas fuentes de calefacción.



Para neutralizar los olores durante la recirculación de aire, debe instalarse un filtro de carbón activo. Para conocer las diferentes maneras de funcionamiento del aparato en el modo de circulación de aire, consulte a su distribuidor autorizado. Puede comprar los accesorios necesarios para este procedimiento en los puntos de venta correspondientes, agentes de servicio autorizados o centros de venta en línea.

El aparato adquirido es apto para el uso con filtro de carbón. Para montar el filtro de carbono

1- Coloque el filtro de carbón en su compartimento. Fig. 15/1

2- Gire el filtro de carbono en el sentido de las agujas del reloj para asegurarse de que está bien ajustado. Fig. 15/2



Fig. 13



Fig. 14



Fig. 15



Si el filtro de carbón no está instalado correctamente, puede caerse y dañar el producto.

4 Limpieza y mantenimiento



CUIDADO

Nunca lave los filtros de carbón. Mantenga los filtros de carbón fuera del alcance de los niños.



CUIDADO

Los niños no deben realizar tareas de limpieza y mantenimiento sin supervisión.

- La superficie puede dañarse al usar productos de limpieza abrasivos o corrosivos. Nunca use productos de limpieza abrasivos o corrosivos. Compre los productos de limpieza y los materiales de protección adecuados para su aparato a través de su servicio técnico autorizado. La superficie y los controles del aparato se rayan fácilmente.
- Limpie las superficies con un trapo suave y húmedo, detergente líquido o limpiacristales. Elimine la suciedad seca y adherida con un trapo húmedo. ¡No rasque la superficie!
- No son aptos para la limpieza del aparato los trapos secos, estropajos u otros elementos que rayan, productos de limpieza que contengan agua mineral, ácido o cloruro.
- Limpie las superficies de acero inoxidable siempre en la misma dirección.
- No use productos de limpieza para acero inoxidable o trapos húmedos para las unidades de control. Limpieza de los filtros de aceite metálicos - Los filtros de aceite metálicos usados retienen la humedad generada en la cocina y las partículas aceitosas contenidas en el vapor. En caso de uso regular (de 1 a 2 horas al día), limpie los filtros de aceite metálicos aproximadamente una vez cada 3 meses.
- No use agentes de limpieza demasiado eficientes, a base de ácidos o corrosivos.
- Para la limpieza de los filtros de aceite metálicos, use un paño húmedo para limpiar las partes que sostienen los filtros de aceite metálicos dentro del aparato.
- Puede limpiar los filtros de aceite metálicos en el lavavajillas o a mano.
- No rocíe el aparato directamente con productos de limpieza en spray.

- No coloque artículos decorativos inflamables y/o pesados sobre el aparato.

4.1 Lavado en el lavavajillas

- En caso de lavado en el lavavajillas, puede producirse una leve decoloración. Esto no afecta el funcionamiento del filtro de aceite metálico.
- No lave los filtros de aceite metálicos que están muy sucios junto con los platos.
- Coloque los filtros de aceite metálicos en el lavavajillas de forma suelta, sin apretar. Los filtros de aceite metálicos deben colocarse en el lavavajillas sin que estén bloqueados.

4.2 Lavado a mano

- Puede utilizar un producto especial que disuelva el aceite para la suciedad incrustada. Este producto puede conseguirse en los centros de venta autorizados.
- Ponga a remojo los filtros de aceite metálicos en agua caliente con detergente para lavavajillas.
- Utilice un cepillo para la limpieza y espere a que el líquido del filtro de aceite metálico se drene bien. Enjuague bien los filtros después de la limpieza.
- Las especificaciones técnicas y este manual pueden modificarse sin previo aviso.
- Este aparato cumple con la Directiva para la Supervisión de Residuos de Aparatos Eléctricos y Electrónicos.
- Esta campana extractora está diseñada para ser utilizada sobre la zona de cocción. Asegúrese de que la pared pueda soportar el peso de la campana. Los costes de la fijación o de acciones similares realizados en la pared o el armario durante la instalación corren por cuenta del cliente. La campana se puede utilizar con un sistema de chimenea que expulsa el aire, o sin chimenea (mediante la fijación del filtro de carbono). Preste atención a las cuestiones que puedan surgir antes o durante la instalación. La instalación debe ser realizada por el servicio técnico autorizado. La instalación debe ser realizada por un especialista autorizado que tenga conocimientos de ventilación. La vida útil del aparato establecida por el Ministerio de Indus-

4 Limpieza y mantenimiento

tria (tiempo de disponibilidad de las partes de repuesto necesarios para el funcionamiento del aparato) es de 10 (diez) años.

- El aparato debe guardarse en su embalaje original para evitar que sus componentes se dañen durante su manipulación y transporte.
- Mantenga el aparato en su posición normal durante su manipulación.
- No deje caer el aparato y protéjalo contra daños durante el transporte. La garantía no cubre los desperfectos y daños producidos durante el transporte después de la entrega del aparato al cliente.

Por favor, leia este manual do utilizador em primeiro lugar!

Prezado Cliente,

Obrigado por preferir este aparelho da Beko. Esperamos que obtenha os melhores resultados com o nosso aparelho que foi fabricado com tecnologia avançada e de alta qualidade. Como tal, leia com atenção todo este manual do utilizador e os outros documentos que o acompanham antes de utilizar o aparelho e guarde-o como referência para uso futuro. Se passar o aparelho para outra pessoa, dê-lhe também este manual do utilizador. Siga as instruções estando atento às informações e avisos no manual do utilizador.

Lembre-se que este manual do utilizador também pode aplicar-se a outros modelos. As diferenças entre modelos são explicitamente descritas no manual.

Significados dos símbolos

Os seguintes símbolos são usados em várias secções deste manual:



Informações importantes ou dicas úteis sobre a utilização.



AVISO: Avisos para situações perigosas relativas à segurança de pessoas e bens.



Aviso sobre perigo de incêndio.



Aviso de choque elétrico.



Este aparelho foi fabricado em instalações modernas e amigas do ambiente sem causar quaisquer danos à natureza.

1 Instruções importantes sobre a segurança e ambiente

1.1 Segurança geral

- Este aparelho pode ser usado por crianças com 8 anos ou mais e por pessoas com capacidades físicas, sensoriais ou mentais suficientes e com experiência e conhecimento adequados se forem supervisionadas ou informadas sobre a utilização segura do aparelho e os riscos envolvidos.
- As crianças não devem mexer no aparelho. Os procedimentos de limpeza e manutenção do pelo utilizador não devem ser realizados por crianças, exceto se elas forem controladas por pessoas mais velhas.
- Este aparelho destina-se a utilização doméstica.
- A tensão de funcionamento do aparelho é de 220-240 Volts, aproximadamente 50 Hz.
- Está ligada uma ficha de terra ao cabo de alimentação do aparelho. Este cabo não deve ser inserido numa tomada de terra.
- A instalação elétrica deve ser realizada por um electricista qualificado.
- Se a instalação for realizada por pessoas não autorizadas, o aparelho pode ter um fraco desempenho, ficar danificado e provocar acidentes.
- Deve evitar que o cabo de alimentação fique bloqueado num local ou que o mesmo seja danificado durante a instalação. O cabo não deve ficar localizado perto da placa de cozinha. Se ficar, o cabo poderá derreter e provocar um incêndio.
- Não ligue a ficha à tomada antes de instalar o aparelho.
- Certifique-se de que a ficha fica facilmente acessível para cortar o fornecimento de energia em caso de perigo.
- Não toque nas lâmpadas caso tenham estado a acesas durante muito tempo. Estas podem queimar as suas mãos porque ficam quentes.
- As campânulas extratoras de cozinha são fabricadas para uso doméstico e cozinhar normalmente. Se o aparelho for utilizado para outros fins, poderá partir e invalidar a garantia.
- Siga os regulamentos estabelecidos pelas autoridades competentes relativos ao ar de exaustão (este aviso não se aplica se o aparelho for utilizado sem chaminé).
- Não se deve cozinhar produtos alimentares inflamáveis por baixo do aparelho.
- Utilize o aparelho apenas depois

1 Instruções importantes sobre a segurança e ambiente

de colocar um tacho, uma frigideira, etc. na placa de cozinha. Caso contrário, o calor excessivo pode deformar algumas partes do aparelho.

- Desligue a placa de cozinha antes de retirar o tacho, a frigideira, etc.
- Não deixe óleo quente na placa de cozinha. As frigideiras com óleo quente podem entrar em combustão espontânea.
- Preste atenção às cortinas e tampas porque o óleo pode incendiar-se enquanto se cozinha, por exemplo, batatas fritas.
- Assegure-se de que os filtros são substituídos no prazo previsto. Existe risco de incêndio devido à acumulação de óleo nos filtros que não foram trocados a tempo.
- Não utilize materiais de filtração que não sejam resistentes ao fogo além do filtro.
- Não utilize o aparelho sem o filtro, não retire os filtros durante o funcionamento do aparelho.
- Em caso de incêndio, corte o fornecimento de energia do exaustor e dos aparelhos de cozinha. (Retire da tomada a ficha do aparelho ou desligue o interruptor principal).
- Existe risco de incêndio se não for realizada uma limpeza regular adequada.
- Corte o fornecimento de energia do aparelho antes de fazer a manutenção do mesmo. (Retire da tomada a ficha do aparelho ou desligue o interruptor principal).
- A pressão negativa no ambiente não deverá exceder 4 Pa (4 x 10 bar) enquanto o exaustor para a placa elétrica e os aparelhos que estiverem a funcionar com outro tipo de energia além da eletricidade estiverem a funcionar em simultâneo.
- No ambiente em que o aparelho está a ser utilizado, a exaustão dos dispositivos que funcionam a óleo combustível ou gás, como é o caso dos aquecedores, deverá ficar totalmente isolada. Caso contrário, o aparelho terá de ser de tipo hermeticamente.
- Ao fazer a ligação à chaminé, utilize tubos com 120 ou 150 mm de diâmetro. A ligação do tubo deve ser o mais curta possível e ter o menor número de curvas possível.
- As crianças não devem mexer no aparelho.
- Para sua segurança, utilize um fusível de "MÁX. 6 A" no exaustor.
- Mantenha os materiais de embalagem afastados das crianças por-

1 Instruções importantes sobre a segurança e ambiente

que podem representar um perigo para elas.

- Se o cabo de alimentação estiver danificado, deve ser substituído pelo fabricante, pela sua assistência técnica ou por uma pessoa igualmente qualificada a fim de evitar qualquer perigo.
- Em caso de incêndio, corte o fornecimento de energia do exaustor e da placa de cozinha e cubra a chama. Nunca utilize água para apagar um incêndio.
- Durante o funcionamento dos aparelhos de cozinha, as suas partes acessíveis poderão ficar quentes.
- Este produto não está concebido para ser utilizado por pessoas (incluindo crianças) com capacidades físicas, mentais ou sensoriais reduzidas, ou sem experiência ou conhecimento, a menos que sejam supervisionadas ou instruídas sobre a utilização do produto por uma pessoa responsável pela sua segurança.
- Após completar a instalação do exaustor para placas elétricas, deverá haver uma distância mínima de 65 cm entre o aparelho e as placas elétricas.
- A saída do exaustor não pode estar ligada aos canais de ar que

incluem outros fumos.

- Deve ter-se cuidado quando se utilizar o aparelho com dispositivos que utilizem ar e combustível (por exemplo, aquecedores e aquecedores de água que funcionam a gás, combustível, carvão, madeira, ou aquecedores de água) no mesmo ambiente. Isto pode afetar negativamente a combustão porque o exaustor liberta o ar para o ambiente.
- Este aviso não abrange a utilização do aparelho sem chaminé.
- A ventilação na divisão poderá ser insuficiente quando se utilizar o exaustor para placa elétrica simultaneamente com os dispositivos que funcionam a gás ou outros combustíveis (isto poderá não se aplicar aos aparelhos que apenas fazem o retorno do ar para a divisão).

1.1 Conformidade com a Directiva WEEE e Eliminação de Resíduos:

Este produto está em conformidade com a Directiva WEEE da UE (2012/19/EU). Este produto porta um símbolo de classificação para resíduos de equipamentos eléctricos e electrónicos (WEEE).



Este símbolo indica que o produto não deve ser eliminado juntamente com o lixo doméstico no fim da sua vida útil. O

1 Instruções importantes sobre a segurança e ambiente

dispositivo usado deve ser devolvido num ponto de recolha oficial para reciclagem de dispositivos elétricos e eletrónicos. Para encontrar estes sistemas de recolha, entre em contacto com as autoridades locais ou com o revendedor através do qual adquiriu o produto. Todos desempenham um papel importante na recuperação e reciclagem de aparelhos velhos. A eliminação correta de aparelhos usados ajuda a prevenir potenciais efeitos negativos ao meio ambiente e à saúde humana.

Cumprimento com a Directiva RoHS:

O produto que adquiriu está em conformidade com a Directiva RoHS da UE (2011/65/EU). Ele não contém materiais perigosos e proibidos especificados na Directiva.

1.2 Informação de embalagem



A embalagem do produto é feita de materiais recicláveis, de acordo com a nossa legislação nacional. Não elimine os materiais da embalagem juntamente com os resíduos domésticos ou outros tipos de resíduos. Leve-os para os pontos de recolha de materiais de embalagem designados pelas autoridades locais.

1.3 Risco de morte risco de envenenamento



Fig. 1: Risco de envenenamento



Fig. 2: Risco de envenenamento



PERIGO!

Aviso - Risco de asfixia

Os materiais de embalagem representam um risco para as crianças. Não deixe que as crianças mexam nos materiais de embalagem.



PERIGO!

Aviso - Perigo de morte!

Existe o risco de morte e o risco de envenenamento devido à reabsorção dos gases de combustão. Se utilizar o aparelho com uma saída de ar, não o utilize simultaneamente com equipamentos que libertam gases tóxicos, tais como fogões com circulação de ar, que funcionam a gás, óleo, madeira ou carvão, caldeiras, aquecedores de água, etc. exceto se se fornecer ar suficiente. Fig. 3

Os equipamentos com circulação de ar (por exemplo, fogões que funcionam a gás, óleo, madeira ou carvão, caldeiras, aquecedores de água) recuperam o ar do local de instalação e libertam o gás residual através de um sistema de gás residual (por exemplo, chaminé). O ar é absorvido pelo aparelho durante o funcionamento da cozinha e das divisões contíguas. Ocorre aspiração se não for fornecida uma quantidade de ar suficiente. Neste caso, os gases tóxicos são reabsorvidos da chaminé e da conduta de gás residual e regressam ao local de

1 Instruções importantes sobre a segurança e ambiente

origem. Fig. 1

Por este motivo, deve garantir-se que se fornece sempre ar limpo suficiente. Fig. 2

AVISO! **Perigo de incêndio!**

Os resíduos de óleo no filtro de óleo podem incendiar-se. Limpe o filtro de óleo pelo menos mensalmente. Não utilize o aparelho sem o filtro de óleo. Mude o filtro de carvão pelo menos trimestralmente.

Os resíduos de óleo no filtro de óleo podem incendiar-se. Nunca cozinhe com chamas perto do aparelho, por exemplo, utilizar a técnica de flamejar. Só é permitido instalar o aparelho perto de um equipamento de aquecimento que seja aquecido através de um combustível sólido (por exemplo, madeira ou carvão) desde que tenha uma tampa fechada que não se possa retirar. Não deverá ocorrer a produção de faíscas.

Os óleos e as gorduras vegetais quentes poderão incendiar-se facilmente. Deve ter-se sempre cuidado com os óleos e as gorduras vegetais quentes. Não apague um incêndio com água.

Desligue a placa de cozinha. Cubra a chama cuidadosamente com uma tampa, uma manta ignífuga ou um objeto semelhante.



As placas a gás que não têm utensílios de cozinha sobre elas geram muito calor durante o funcionamento. Qualquer dispositivo que seja colocado na placa poderá, assim, ficar danificado ou queimar. Utilize placas a gás apenas quando existir um utensílio de cozinha sobre elas.

A utilização de mais do que uma placa a gás ao mesmo tempo gera muito calor. Qualquer dispositivo que seja colocado na placa poderá, assim, ficar danificado ou queimar. Não utilize duas placas a gás com uma chama grande durante mais de 15 minutos. Um queimador com mais de 5 kW (Wok) de potência é equivalente a um queimador com dois níveis de gás.

**AVISO!****Risco de choque elétrico!**

Um aparelho com falhas pode provocar um choque elétrico. Não utilize um aparelho com falhas. Retire a ficha da tomada ou desligue o fusível da caixa de fusíveis. Contacte o centro de assistência técnica ao cliente.

As reparações que não seguem as instruções representam uma ameaça. As reparações e a substituição de cabos elétricos danificados devem apenas ser realizadas por técnicos dos serviços ao cliente com a devida formação dada pela nossa empresa. Se o aparelho tiver falhas, retire a ficha da tomada ou desligue o fusível da caixa de fusíveis. Contacte o centro de assistência técnica ao cliente.

A existência de uma infiltração de água no aparelho pode provocar um choque elétrico. Não podem ser utilizados sistemas de limpeza a vapor ou a alta pressão.

**PERIGO!****Risco de ferimento!**

Existe risco de ferimento durante a instalação devido à presença de extremidades afiadas. Use sempre luvas de proteção durante a instalação do aparelho.

Todos os parafusos e tampas de segurança devem ser instalados de acordo com as indicações fornecidas no manual do utilizador devido ao risco de queda do aparelho.

Os objetos no aparelho poderão cair. Não coloque nenhum objeto sobre o aparelho.

A luz LED é muito forte e poderá ser prejudicial para os olhos (grupo de perigo 1). Não olhe diretamente para a luz LED durante mais de 100 segundos.

**ATENÇÃO!**

As partes acessíveis podem ficar quentes quando utilizadas com equipamentos de cozinha.

1

Instruções importantes sobre a segurança e ambiente



No caso de as reparações não terem sido realizadas corretamente ou de acordo com as regras, desligue o fusível ou retire da tomada a ficha do aparelho. Os trabalhos de reparação só poderão ser realizados pela assistência técnica autorizada ou por uma pessoa qualificada devidamente autorizada.

No caso de as reparações não terem sido realizadas corretamente ou de acordo com as regras, desligue o fusível ou retire da tomada a ficha do aparelho. Os trabalhos de reparação só poderão ser realizados pela assistência técnica autorizada ou por uma pessoa qualificada devidamente autorizada.



PERIGO!

Risco de queimadura e risco de choque elétrico!

Aguarde que o aparelho arrefeça antes de o limpar ou de fazer a sua manutenção. Desligue o fusível ou retire da tomada a ficha do aparelho.

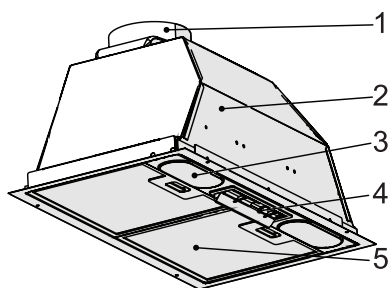
Existe risco de danos devido à entrada de humidade nas partes eletrónicas. Nunca limpe os controladores com um pano molhado.

A superfície poderá ficar danificada se for limpa incorretamente. Limpe as superfícies de aço inoxidável apenas na direção de escovação. Não utilize produtos de limpeza de aço inoxidável nos controladores.

A superfície poderá ficar danificada devido à utilização de agentes de limpeza abrasivos ou de polimento. Nunca utilize agentes de limpeza abrasivos ou de polimento.

2 Aparência geral

2.1 Visão geral



1. Chaminé da saída de ar
2. Corpo
3. Luz da placa de cozinha
4. Painel de controlo
5. Filtro de óleo de alumínio

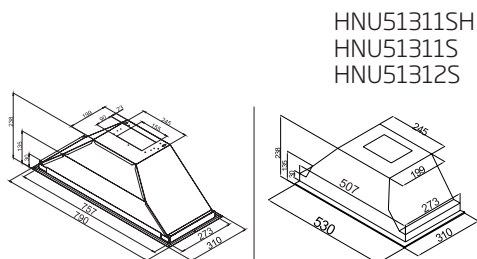
2.2 Dados técnicos

CE Este aparelho está em conformidade com a Diretiva CE n.º 2014/30/UE (Diretiva relativa à Compatibilidade Eletromagnética) e com a Diretiva 2014/35/UE (Diretiva de Baixa Tensão (LVD)).

Tensão de alimentação	220-240V 50 Hz.
Potência da lâmpada (W)	2x3 W
Potência do motor (W)	1x185 W
Classe de isolamento do motor	F
Classe de isolamento	CLASSE I

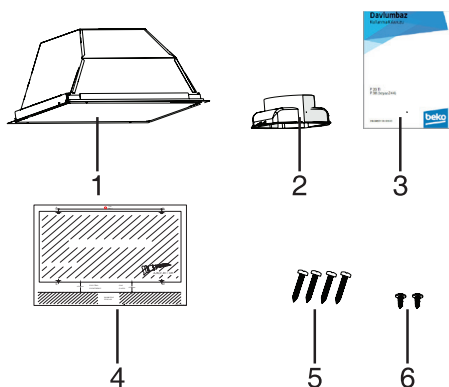
Estão reservadas as modificações técnicas e de design. As dimensões apresentadas nos desenhos técnicos são indicadas em milímetros. Esta imagem apenas é fornecida para apresentar as peças do aparelho. As peças podem variar consoante o modelo do aparelho. As figuras são apresentadas para fins meramente ilustrativos.

2.3 Desenho técnico à escala



HNU71311S

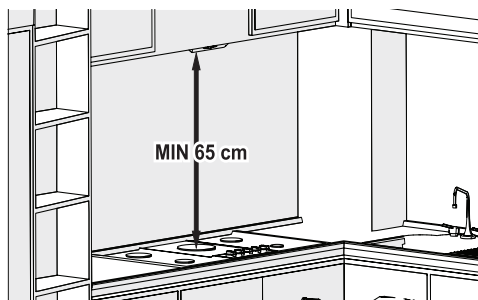
2.4 Conteúdo da embalagem



1. Exaustor
2. Chaminé de plástico de Ø120 mm
3. Manual do utilizador
4. Projeto de instalação
5. Parafuso 4 X 3,9 X 32 (utilizado para instalação do exaustor)
6. Parafuso 3,5 X 9,5 (utilizado para instalação da chaminé de plástico)

3 Instalação e utilização do aparelho

3.1 Posição do aparelho



- Deve prestar-se atenção à distância entre a placa elétrica e o exaustor antes da instalação. A distância deve ser de 65 cm.
- Deve medir-se desde a superfície de grelhar das placas elétricas a gás e desde a superfície de vidro das placas elétricas.



O seu novo aparelho é eficiente em termos energéticos. Vai encontrar aqui alguns conselhos sobre como poupar mais energia enquanto utiliza o aparelho e como destruir o aparelho da forma correta.

3.2 O que fazer para poupar energia;

- Certifique-se de que existe entrada de ar suficiente para que o exaustor funcione de forma eficiente e com um baixo nível de ruído enquanto cozinha.
- Defina o nível do ventilador de acordo com a densidade de vapor na cozinha. Defina para um nível elevado apenas quando for necessário. Se definir o ventilador para um nível mais baixo, o consumo de energia é menor.
- Se se esperar fumo denso na cozinha, selecione antecipadamente um nível mais elevado do ventilador. É necessário que o exaustor funcione durante muito mais tempo para remover o fumo já espalhado pela cozinha.

- Desligue o exaustor quando não o estiver a utilizar.
- Limpe ou substitua o filtro de acordo com os intervalos indicados. Desta forma, a eficiência da ventilação aumenta e elimina-se o risco de incêndio.

3.3 Instalação do aparelho



ATENÇÃO!

Use luvas e óculos de proteção durante as operações de perfuração e corte.

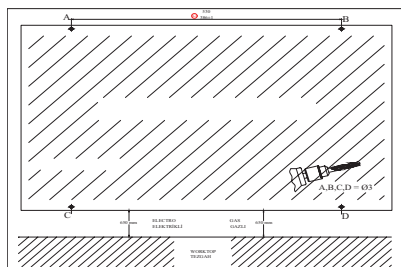


Fig. 6

Fazer furos para a montagem

- Siga o modelo de instalação fornecido com o aparelho na superfície onde vai ser feita a instalação.
- Faça os furos indicados no projeto de instalação com A, B, C e D e utilize brocas de 4 mm de diâmetro. Fig. 6

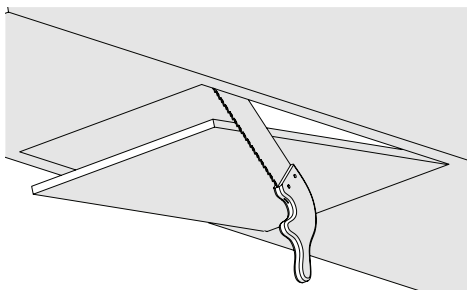


Fig. 7

3 Instalação e utilização do aparelho

- Corte a parte inferior do armário onde será instalado o exaustor, com as dimensões especificadas no desenho técnico (Fig. 7).

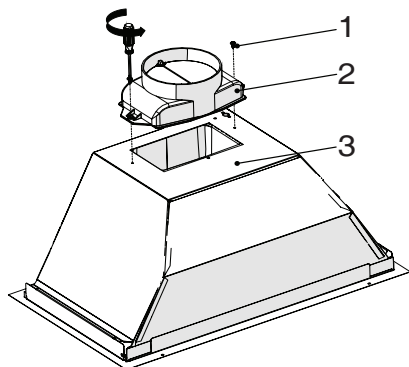


Fig. 8

1. Parafuso 3,5 X 9,5
 2. Chaminé de plástico de Ø120 mm
 3. Conector de pinos da válvula do corpo
- Encaixe a chaminé de plástico contida na embalagem ao corpo do aparelho utilizando 2 parafusos 3,5 X 9,5. (Fig. 8) Não fricção contra a superfície. Fig. 8

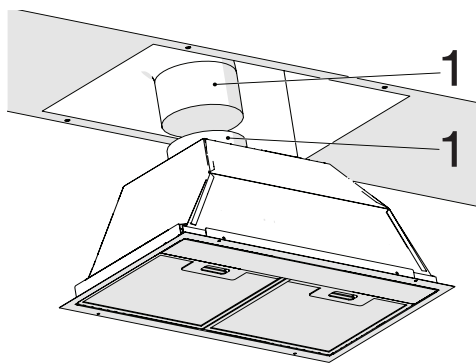


Fig. 9

1. Tubo de saída de ar
 2. Chaminé da saída de ar do exaustor
- Encaixe o tubo de saída de ar à chaminé da saída de ar e aperte com uma braçadeira (Fig. 9).



ATENÇÃO!

Como as curvas e os cotovelos no tubo de alumínio vão diminuir o poder de sucção do ar, deve evitar-se utilizá-los o máximo possível.

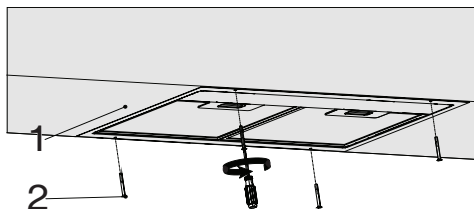
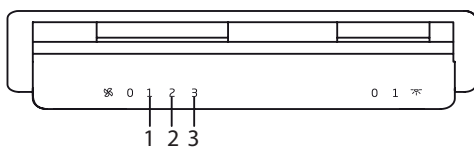


Fig. 10

1. Vista de baixo do armário de cozinha
 2. Parafuso de instalação do exaustor 4 X 3,9 X 32
- Coloque o exaustor no armário de cozinha e encaixe o exaustor nos 4 orifícios de instalação perfurados anteriormente (Fig. 10).

3.4 Utilização do aparelho

3.4.1 Utilização do interruptor basculante



- Coloque o interruptor de luz na posição "0" para desligar a lâmpada.
- Coloque o interruptor de luz na posição "1" para ligar a lâmpada.
- Coloque o interruptor de luz na posição "0" para desligar o motor.
- Pode utilizar o motor no mínimo no nível de velocidade 1 e no máximo no nível de velocidade 3 de acordo com a densidade do vapor do cozinhado.

3 Instalação e utilização do aparelho

3.5 Substituição da lâmpada

3.5.1 Substituição das velas



AVISO

Corte a alimentação do exaustor. As lâmpadas podem queimar as suas mãos se estiverem quentes, por isso, aguarde que arrefeçam.

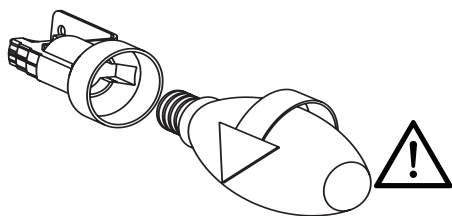


Fig. 11: Substituição das velas

- Remova o filtro do cartucho de alumínio. Remova a lâmpada fundida e substitua-a por uma com o mesmo valor. Fig. 11



NOTA:

Se o aparelho se partir ou ficar danificado, desligue o fusível ou retire da tomada a ficha do aparelho e contacte o agente de serviço autorizado.



NOTA:

Se o cabo de alimentação estiver danificado, tem de ser substituído pelo fabricante, pelo agente de serviço ou por uma pessoa igualmente qualificada para evitar perigos.



NOTA:

Desligue o fusível ou retire da tomada a ficha do aparelho no caso de as lâmpadas do aparelho se partirem. Substitua imediatamente as lâmpadas fundidas para evitar a sobrecarga de outras lâmpadas (aguarde primeiro que as lâmpadas arrefeçam).

4 Limpeza e manutenção

ATENÇÃO!

Risco de danos devido a corrosão. Utilize sempre o aparelho enquanto estiver a cozinhar para evitar a formação de condensação. A condensação pode provocar corrosão. Substitua imediatamente as lâmpadas fundidas para evitar a sobrecarga de outras lâmpadas. Existe risco de danos devido à entrada de humidade nas partes eletrónicas. Nunca limpe os controladores com um pano molhado. A superfície poderá ficar danificada se for limpa incorretamente. Limpe as superfícies de aço inoxidável apenas na direção de escovação. Não utilize produtos de limpeza de aço inoxidável nos controladores. A superfície poderá ficar danificada devido à utilização de agentes de limpeza abrasivos ou de polimento. Nunca utilize agentes de limpeza abrasivos ou de polimento. Existe risco de danos devido ao refluxo da condensação. Instale a conduta da saída de ar com uma inclinação ligeiramente descendente (1°) em relação ao aparelho.



ATENÇÃO!

Pode utilizar este aparelho no modo de ar residual e no modo de circulação de ar.



Modo de ar residual

O ar absorvido é limpo através de filtros de óleo e libertado através de um sistema de tubagem. (Fig. 3) Se pretender transferir o ar residual para uma chaminé desativada de extração de fumos ou gás residual, tem de o pedir a um especialista de limpeza de chaminés autorizado. Se o ar residual for libertado sobre a parede exterior, deve utilizar-se uma estrutura de parede telescópica.



O ar absorvido é limpo através dos filtros de óleo e de um filtro de carvão ativado, sendo depois transferido novamente para a cozinha. Fig. 4



NOTA!

O ar residual não deve ser transferido para uma chaminé de extração de fumos ou de gás residual, nem para uma chaminé utilizada para a ventilação dos espaços onde estão instaladas fontes de aquecimento.



Para vedar os materiais que geram maus odores no modo de ar circulante, deve instalar um filtro de carvão ativado. Contacte um revendedor autorizado para ficar a conhecer as várias possibilidades de utilizar o aparelho no modo de ar circulante. Pode comprar os acessórios necessários para a realização deste procedimento através de pontos de venda relevantes, de agentes de serviço autorizados ou do centro de vendas online.

O aparelho que adquiriu é adequado para ser utilizado com um filtro de carvão. Para instalar o filtro de carvão:

1 - Coloque o filtro de carvão no respetivo alojamento. Fig. 15/1

2 - Rode o filtro de carvão para no sentido dos ponteiros do relógio para garantir que ficou bem encaixado. Fig. 15/2



Fig. 13



Fig. 14



Fig. 15

4 Limpeza e manutenção



Se o filtro de carvão não for instalado corretamente, pode cair e danificar o seu aparelho.



ATENÇÃO!

Nunca lave os filtros de carvão. Mantenha os filtros de carvão afastados das crianças.



ATENÇÃO!

A limpeza e a manutenção não devem ser realizadas por crianças sem serem supervisionadas.

- A superfície poderá ficar danificada devido à utilização de agentes de limpeza abrasivos ou de polimento. Nunca utilize agentes de limpeza abrasivos e de polimento. Adquirir os agentes de limpeza e materiais de proteção adequados ao seu aparelho através do serviço autorizado. A superfície do aparelho e os controladores ficam facilmente riscados.
- Limpe as superfícies com um pano macio humedecido, com um detergente da louça ou com um limpa-vidros suave. Amoleça a sujidade seca e incrustada com um pano humedecido. Não raspe!
- Não se devem utilizar panos secos, esponjas que possam riscar, produtos que tenham de ser esfregados, lixas ou outros agentes de limpeza eficazes que contêm água mineral, ácido ou cloretos.
- Limpe as superfícies de aço inoxidável apenas na direção de polimento.
- Não use agentes de limpeza de aço inoxidável ou panos molhados nas unidades de controlo. Limpeza dos filtros de óleo metálicos. Os filtros de óleo metálicos usados conservam a humidade gerada na cozinha e as partículas oleosas contidas nos vapores. No caso de uma utilização regular (1 a 2 horas por dia), limpe os filtros de óleo metálicos cerca de uma vez a cada 3 meses.
- Não utilize agentes de limpeza demasiado eficazes, acidificados ou corrosivos.
- Para a limpeza dos filtros de óleo metálicos, utilize um pano humedecido para limpar as partes de fixação dos filtros de óleo metálicos no inte-

rior do aparelho.

- Pode limpar os filtros de óleo metálicos na máquina de lavar louça ou à mão.
- Não pulverize agentes de limpeza diretamente sobre o aparelho.
- Não coloque artigos inflamáveis e/ou decorativos pesados no aparelho.

4.1 Lavagem na máquina de lavar louça

- No caso de lavagem na máquina de lavar louça, poderá ocorrer uma ligeira descoloração. Contudo, isto não afeta a função do filtro de óleo metálico.
- Não lave filtros de óleo metálicos muito sujos juntamente com os pratos.
- Coloque os filtros de óleo metálicos na máquina de lavar louça separados. Os filtros de óleo metálicos devem ser colocados na máquina de lavar louça sem ficarem comprimidos.

4.2 Lavagem à mão

- Pode usar um agente especial dissolvente de óleo para a sujidade difícil de remover. Pode adquirir este agente ao centro de vendas autorizado.
- Amoleça o filtro de óleo metálico em água quente com detergente da louça.
- Utilize uma escova para limpar e aguarde que o líquido no filtro de óleo metálico escorra bem. Enxague bem os filtros depois de limpar.
- As especificações técnicas e este manual poderão sofrer alterações sem aviso prévio.
- Este aparelho está em conformidade com o Regulamento para a Gestão dos Resíduos de Equipamentos Elétricos e Eletrónicos.
- Este exaustor destina-se a ser utilizado sobre a placa elétrica. Certifique-se de que a parede consegue suportar o peso do exaustor. O consumidor deverá suportar os custos de partir e abrir a parede ou o armário, bem como suportar o custo de outros procedimentos semelhantes, durante a instalação. O exaustor poderá ser utilizado com um sistema de chaminé que liberta o ar ou sem chaminé (através da insta-

4 Limpeza e manutenção

lação do filtro de carvão). Preste atenção aos problemas que poderão surgir antes ou durante a instalação. A instalação deverá ser realizada pelo agente de serviço autorizado. A instalação deverá ser realizada por um especialista autorizado com conhecimentos sobre ventilação. A vida útil do aparelho identificado pelo Ministério da Indústria (período de disponibilidade das peças sobresselentes necessárias para o desempenho das funções do aparelho) é de 10 (dez) anos.

- Deve manter o aparelho na sua embalagem original para evitar danos nos componentes durante o manuseamento e o transporte.
- Mantenha o aparelho na sua posição normal durante o manuseamento.
- Não deixe o aparelho cair e proteja-o contra danos durante o transporte. A garantia não cobre falhas nem danos ocorridos durante o transporte após a entrega do aparelho ao cliente.

Ознакомьтесь с этим руководством перед началом эксплуатации!

Уважаемый покупатель!

Благодарим вас за выбор этого изделия компании Веко. Мы надеемся, что продукция, изготовленная на современном оборудовании и имеющая высокий уровень качества, будет служить вам наилучшим образом. Для этого перед началом эксплуатации внимательно прочитайте данное руководство и все прочие сопроводительные документы и используйте их в дальнейшем в справочных целях. При передаче устройства другому лицу необходимо также передать эту инструкцию. Соблюдайте указания, которые даны в этой инструкции по эксплуатации, и обращайтесь особое внимание на справочные пометки и предупреждения.

Имейте в виду, что данная инструкция по эксплуатации может также распространяться на другие модели. Различия между моделями четко описаны в инструкции.

Условные обозначения

В разных разделах данного руководства по эксплуатации используются следующие символы:



Важная информация и полезные советы по эксплуатации.



ПРЕДУПРЕЖДЕНИЕ: Предупреждения об опасности травмирования или повреждения имущества.



Предупреждение об опасности возникновения пожара.



Предупреждение об опасности поражения электрическим током.



Этот прибор изготовлен на экологически безвредном современном оборудовании, без нанесения ущерба окружающей среде.

1. Важные инструкции по технике безопасности и защите окружающей среды

1.1 Общая безопасность

- Данный прибор может использоваться детьми в возрасте от 8 лет и старше, а также лицами, обладающими достаточной физической, сенсорной или умственной способностью и обладающими достаточным опытом и знаниями, при условии, что они находятся под наблюдением человека, отвечающего за их безопасность или проинструктированы относительно безопасного использования прибора и связанных с этим рисков.
- Не позволяйте детям играть с прибором. Чистка и обслуживание не должны выполняться детьми без присмотра взрослых.
- Этот прибор предназначен для бытового применения.
- Рабочее напряжение прибора составляет 220-240 Вольт ~ 50 Гц.
- К кабелю питания устройства подсоединяется заземленная розетка. Данный кабель необходимо подключить к заземленной розетке.
- Электромонтажные работы должны выполняться квалифицированным инженером-электриком.
- Самостоятельная установка может привести к снижению производительности, повреждению прибора и несчастным случаям.
- Во время установки следует избегать заклинивания кабеля в трубе и повреждения кабеля. Кабель питания не должен находиться рядом с варочной панелью. В таких случаях кабель может расплавиться и стать причиной возгорания.
- Не подключайте прибор к розетке до его установки.
- Убедитесь в наличии доступа к вилке для отключения питания в случае возникновения опасности.
- Не прикасайтесь к лампам, если они работали в течение длительного времени. Это может вызвать ожог рук, поскольку лампы очень горячие.
- Кухонные вытяжки предназначены для обычного приготовления пищи и бытового использования. В случае использования прибора в других целях, он может выйти из строя и гарантия будет аннулирована.
- Следуйте инструкциям, установленным компетентными орга-

1. Важные инструкции по технике безопасности и защите окружающей среды

нами по выпуску отработанного воздух (данное предупреждение касается вентиляционных труб).

- Вблизи прибора нельзя готовить огнеопасные продукты.
- Включите прибор после того, как поставите кастрюлю, сковороду и т. д. на варочную панель. В противном случае высокая температура может привести к деформации некоторых частей изделия.
- Отключайте варочную панель перед тем, как убрать с нее кастрюлю, сковороду и т.д.
- Не оставляйте горячее масло на варочной панели. Сковорода с горячим маслом может стать причиной самовозгорания.
- Следите за шторами и занавесками, поскольку при приготовлении таких блюд, как картофель фри масло может загореться.
- Убедитесь, что была вовремя произведена замена фильтров. Существует риск возгорания из-за скопления масла на фильтрах, которые не были вовремя заменены.
- Не используйте неогнеупорные фильтрующие материалы вместо текущего фильтра.
- Не эксплуатируйте изделие без фильтра и не снимайте фильтры во время работы изделия.
- В случае возгорания отключите вытяжку и кухонные принадлежности от питания. (Отключите прибор от электросети или выключите главный выключатель).
- Если должным образом не выполнять периодическую очистку существует риск возгорания.
- Перед проведением технического обслуживания отключите прибор от сети. (Отключите прибор от электросети или выключите главный выключатель).
- Отрицательное давление окружающей среды не должно превышать 4 Па (4 x 10 бар) когда вытяжка для электрической варочной панели и приборы, работающие от другого источника энергии работают одновременно.
- В среде, где используется прибор, выхлопные газы устройств, работающих на жидком топливе или газе, таких как комнатный обогреватель, должны быть полностью изолированы, или должны быть герметичными.

1. Важные инструкции по технике безопасности и защите окружающей среды

- При подсоединении к вытяжной трубе используйте трубы диаметром 120 или 150 мм. Соединения труб должны быть как можно более короткими и иметь минимальное количество колен.
- Не позволяйте детям играть с прибором.
- В целях безопасности используйте в вытяжке предохранитель МАХ 6 А.
- Храните упаковочные материалы в недоступном для детей месте, поскольку они могут представлять для них опасность.
- В случае повреждения шнура питания его замена должна производиться представителем авторизованного сервисного центра или мастером, имеющим аналогичную квалификацию.
- В случае возгорания отключить вытяжку и кухонные принадлежности от питания. Тушение пожара водой запрещается.
- При работе кухонных приборов, их рабочие части могут быть горячими.
- Данное устройство не предназначено для использования лицами (включая детей) с ограниченными психическими, физическими, или умственными возможностями или лицами без соответствующих навыков и опыта. Они могут пользоваться устройством только под присмотром лица, ответственного за их безопасность, или в соответствии с его указаниям по использованию устройства.
- После завершения установки вытяжки расстояние между прибором и варочной панелью должно составлять не менее 65 см.
- Выход вытяжки нельзя подключать в воздуховодам, через которые проходит другой дым.
- При использовании прибора с устройствами, использующими воздух и топливо (например, обогреватели, водонагреватели, использующие газ, дизельное топливо, уголь, древесину или водонагреватели), необходимо соблюдать осторожность. Это может отрицательно повлиять на процесс горения, поскольку вытяжка выводит воздух в окружающую среду.
- Данное предупреждение касается вентиляционных труб.

1. Важные инструкции по технике безопасности и защите окружающей среды

- Вентиляция в помещении может быть недостаточной в случае, если вытяжка для электрической варочной панели используется одновременно с устройствами, работающими на газе или других видах топлива (это не относится к приборам, которые только выпускают воздух обратно в помещение).

1.1 Соответствие Директиве ЕС об утилизации электрического и электронного оборудования (WEEE) и утилизация вышедшего из употребления оборудования:

Данное изделие соответствует Директиве ЕС об утилизации электрического и электронного оборудования (2012/19/EU). Данное изделие имеет маркировку, указывающую на утилизацию его как электрического и электронного оборудования (WEEE).



Это изделие произведено из высококачественных деталей и материалов, которые подлежат повторному использованию и переработке. Поэтому не выбрасывайте изделие с обычными бытовыми отходами после завершения его эксплуатации. Его следует сдать в соответствующий центр по утилизации электрического и электронного оборудования. О местонахождении таких центров вы можете узнать в местных органах власти.

Соответствие Директиве ЕС об ограничении содержания вредных веществ (RoHS):

Приобретенное вами изделие соответствует Директиве ЕС о правилах ограничения содержания вредных веществ (2011/65/EU). Оно не содержит вредных и запрещенных материалов, указанных в Директиве.

1.

Важные инструкции по технике безопасности и защите окружающей среды

1.2 Информация об упаковке



Упаковка прибора изготовлена из вторичного сырья, в соответствии с нашими государственными законами об охране окружающей среды.

Не выбрасывайте упаковочные материалы вместе с бытовыми или другими отходами. Отнесите их в пункты приема упаковочных материалов, утвержденные местными органами власти.

1.3 Основной риск, риск отравления



Рис . 1: Риск отравления



Рис . 2: Риск отравления



ОПАСНОСТЬ! **Внимание - Возможна угроза удушья!**

Упаковочные материалы опасны для детей. Не позволяйте детям играть с упаковочными материалами.

ОПАСНОСТЬ!

Внимание – Смертельная опасность



Основной риск, риск отравления возникает из-за реабсорбции продуктов сгорания. При использовании отводного воздуховода не используйте прибор одновременно с устройствами, которые выделяют токсичные газы, такими как печи с циркуляцией воздуха, работающие на газе, масле, дровах или древесном угле, водогрейные колонки, водонагреватели и т.д., если не подается достаточное количество воздуха. Рис. 3

Устройства с циркуляцией воздуха (например, печи, работающие на газе, масле, дровах или древесном угле, водогрейные колонки, водонагреватели) забирают воздух из места установки и удаляют отработанный газ с помощью системы очистки отработанных газов(воздуховод). Во время работы прибор забирает воздух из кухни и соседних комнат. При отсутствии достаточного количества воздуха происходит вакуумирование. В этом случае токсичные газы всасываются обратно из вытяжной трубы и трубопровода отработанного газа и возвращаются в помещение. Рис. 1

По этой причине необходимо обеспечить подачу чистого воздуха в достаточном объеме. Рис. 2

ВНИМАНИЕ!

Опасность возгорания!

Отложение жира на жироулавливающем фильтре может привести к возгоранию. Очищайте жироулавливающий фильтр каждый месяц. Не используйте прибор без жироулавливающего фильтра. Очищайте жироулавливающий фильтр каждый месяц.

Отложение жира на жироулавливающем фильтре может привести к возгоранию. Никогда не работайте с огнем вблизи прибора (например, при фламбировании). Разрешается устанавливать прибор только рядом с нагревательным оборудованием, которое работает на твердом топливе (например, древесина или уголь), при условии наличия закрытой несъемной крышки. Не должно возникать искрения.

Горячие растительные масла и жир легко воспламеняются. Будьте осторожны с горячими растительными маслами и жирами. Тушение огня водой запрещается.

Выключите плиту. Осторожно накройте пламя крышкой, противопожарным полотном или подобным предметом.



Газовые варочные панели при работе выделяют большое количество, если на них нет посуды. Поэтому размещенное на варочной панели вентиляционное устройство может быть повреждено или может сгореть. Включайте газовые варочные панели только при наличии на них посуды.

Одновременное использование нескольких газовых варочных панелей приводит к чрезмерному выделению тепла. Поэтому размещенное на варочной панели вентиляционное устройство может быть повреждено или может сгореть. Не включайте две газовые варочные панели при сильном огне более чем на 15 минут. Горелка мощностью более 5 кВт (Вок) приравнивается к двойной горелке.

ВНИМАНИЕ!

Риск поражения электрическим током!

Неисправный прибор может привести к поражению электрическим током. Не используйте неисправный прибор. Вытащите его из розетки или отсоедините предохранитель от блока предохранителей. Обратитесь в центр обслуживания клиентов.

Ремонт, который выполняется не по инструкциям, представляет угрозу. Ремонт и замена неисправных электрических кабелей должны выполняться только специалистами по обслуживанию клиентов, прошедшими обучение в нашей компании. Если прибор неисправен, вытащите его из розетки или отсоедините предохранитель от блока предохранителей. Обратитесь в центр обслуживания клиентов.

Попадание воды в прибор может привести к поражению электрическим током. Очиститель высокого давления или парочиститель.



ОПАСНОСТЬ!

Риск получения травм!

При установке существует риск получения травмы из-за острых краев прибора. При установке прибора всегда надевайте защитные перчатки.

Все предохранительные болты и защитные крышки должны быть установлены в соответствии с указаниями в руководстве пользователя, так как есть риск падения прибора.

Предметы, которые находятся на приборе могут упасть. Не кладите на прибор никаких предметов.

Светодиодная лампочка светит слишком ярко и может вызвать повреждение глаза (класс опасности 1). Не смотрите прямо на светодиодную лампу более 100 секунд.



ОСТОРОЖНО:

Доступные части прибора могут нагреваться при использовании с кухонным оборудованием.



В случае если ремонтные работы не были выполнены надлежащим образом или не в соответствии с правилами, выключите предохранитель или отключите прибор от электросети. Ремонтные работы могут выполнять только авторизованный сервис или квалифицированный персонал.

В случае если ремонтные работы не были выполнены надлежащим образом или не в соответствии с правилами, выключите предохранитель или отключите прибор от электросети. Ремонтные работы могут выполнять только работники авторизованной сервисной службы или квалифицированный персонал.

ОПАСНОСТЬ!

Риск получения ожогов, риск поражения электрическим током!

Перед чисткой или техническим обслуживанием прибора дождитесь его охлаждения. Выключите предохранитель или отключите прибор от электросети.

Из-за попадания влаги в электронные компоненты возникает риск повреждения. Никогда не очищайте контроллеры влажной тканью.

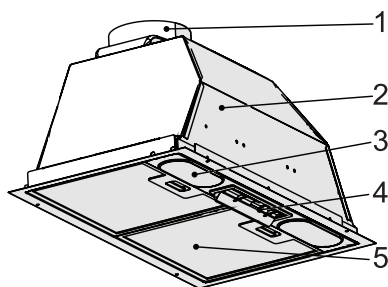
Из-за неправильного очищения может повредиться поверхность прибора. Очищайте поверхности из нержавеющей стали только вдоль зерна. Не используйте очиститель для нержавеющей стали для чистки контроллеров.

Поверхность можно поцарапать при использовании абразивных или полирующих чистящих средств. Никогда не используйте абразивные или полирующие чистящие средства.



2. Общий внешний вид

2.1 Обзор



1. Вытяжная вентиляционная труба
2. Корпус
3. Освещение варочной панели
4. Панель управления
5. Алюминиевый жирославливающий фильтр

2.2 Технические характеристики

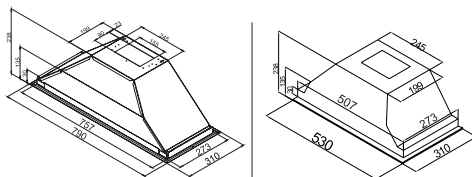
CE Данный прибор соответствует требованиям Директивы ЕС 2014/30/EU (Директива о электромагнитной совместимости) и Директивы 2014/35/EU (Директива по низковольтному оборудованию (LVD)).

Напряжение сети	220-240В 50 Гц
Мощность ламп освещения (Вт)	2x3 Вт
Мощность двигателя (Вт)	1x185 Вт
Класс изоляции двигателя	F
Класс изоляции	КЛАСС 1

Производитель оставляет за собой право на изменение технических характеристик и конструкции изделия. Размеры, представленные на технических чертежах, указаны в мм. Данное изображение предназначено только для справки о деталях прибора. Детали могут отличаться в зависимости от модели прибора. Рисунки приведены для наглядного представления.

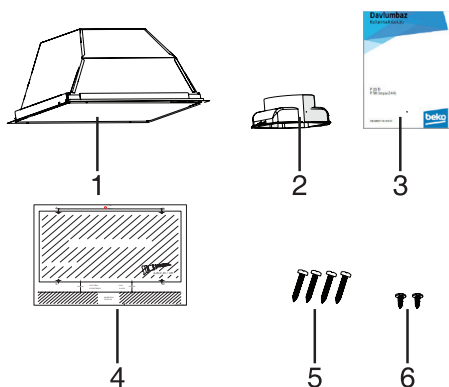
2.3 Технический чертеж в масштабе

HNU51311SH
HNU51311S
HNU51312S



HNU71311S

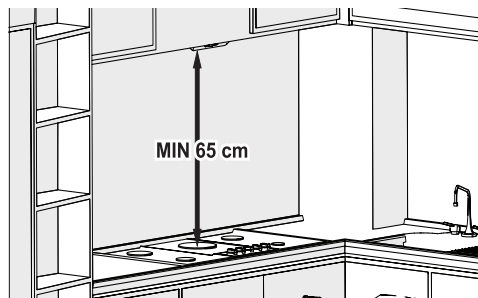
2.4 Содержимое упаковки



1. Вытяжка
2. Пластиковая труба 1 x Ø 120 мм
3. Руководство пользователя
4. Установочный чертеж
5. Винт 4 X 3,9 X 32
(Используется для установки вытяжки)
6. Винт 3.5 x 9.5
(Используется для пластикового воздуховода)

3. Установка и использование прибора

3.1 Положение прибора



- Перед установкой необходимо учесть расстояние между варочной панелью и вытяжкой. Это расстояние должно составлять 65 см.
- Измерять расстояние необходимо от поверхности решетки на варочной панели и от стеклянной поверхности электрической плиты.



Ваш новый прибор отличается особенной эффективностью энергопотребления. В этом разделе вы найдёте ряд рекомендаций, как при эксплуатации прибора сэкономить ещё больше энергии и как правильно утилизировать прибор.

3.2 Рекомендации по экономии электроэнергии:

- Во время приготовления позаботьтесь о достаточном притоке воздуха, чтобы обеспечить эффективную и бесшумную работу вытяжки.
- Настройте режим работы вентилятора в зависимости от интенсивности испарений. Включайте интенсивный режим только при необходимости. Пониженный режим работы вытяжки способствует снижению расхода электроэнергии.
- При высокой интенсивности испарений заранее выбирайте повышенный режим работы вытяжки. При значительном скоплении испарений на кухне потребуется более длительное использование вытяжки.
- Выключите вытяжку, если не предполагается её дальнейшее использование.
- Следует очищать и менять фильтр с указанной периодичностью в целях повышения эффективности работы системы вентиляции и предотвращения опасности возникновения пожара.

3. Установка и использование прибора



ОСТОРОЖНО:

Поскольку изгибы и колена вызовут снижение мощности всасывания воздуха, их использования по мере возможности следует избегать.

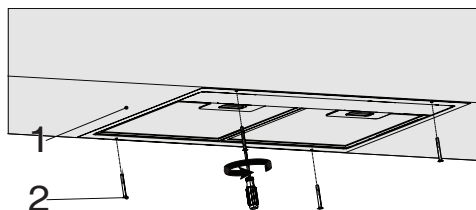
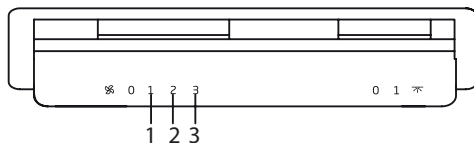


Рис. 10

1. Кухонный шкаф, вид снизу
 2. Винт 4 X 3,9 X 32 для установки вытяжки
- Установите вытяжку в кухонный шкаф и прикрутите вытяжку к 4 просверленным ранее монтажным отверстиям (Рис. 10).

3.4 Использование прибора

3.4.1 Использование кулисного переключателя



- Переведите переключатель лампы в положение "0", чтобы выключить лампу.
- Переведите переключатель лампы в положение "1", чтобы включить лампу.
- Переведите переключатель двигателя в положение "0", чтобы выключить двигатель.
- Двигатель может работать на 1-й скорости минимум и на 3-й скорости максимум в зависимости от интенсивности пара на кухне.

3. Установка и использование прибора

3.5 Замена лампы

3.5.1 Замена свечеобразной лампы накаливания



ВНИМАНИЕ

Отключите вытяжку от источника питания. Лампы сильно нагреваются и можно обжечь руки, поэтому дождитесь, пока они остынут.

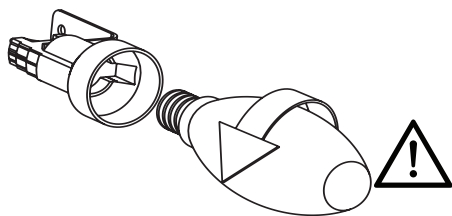


Рис. 11: Замена свечеобразной лампы накаливания

- Снимите алюминиевый картриджный фильтр. Открутите неисправную лампу и замените ее аналогичной лампой. Рис. 11



ПРИМЕЧАНИЕ:

Если прибор сломался или поврежден, выключите предохранитель или отключите прибор от электросети и обратитесь в авторизованный сервисный центр.



ПРИМЕЧАНИЕ:

В случае повреждения шнура питания его замена должна производиться производителем, представителем сервисного центра или мастером, имеющим аналогичную квалификацию.



ПРИМЕЧАНИЕ:

Выключите предохранитель или отключите прибор от электросети в случае поломки ламп прибора. Немедленно замените неисправные лампы, чтобы предотвратить перегрузку других ламп (дождитесь, пока они остынут).

ОСТОРОЖНО:

Риск повреждения в результате коррозии. Во избежание образования конденсата всегда включайте прибор при приготовлении пищи. Конденсат ожет стать причиной повреждения, вызванного коррозией. Немедленно замените неисправные лампы, чтобы предотвратить перегрузку других ламп. Из-за попадания влаги в электронные компоненты возникает риск их повреждения. Никогда не очищайте контроллеры влажной тканью. Из-за неправильного очищения может повредиться поверхность прибора. Очищайте поверхности из нержавеющей стали только вдоль зерна. Не используйте очиститель для нержавеющей стали для чистки контроллеров. Поверхность можно поцарапать при использовании абразивных или полирующих чистящих средств. Никогда не используйте абразивные или полирующие чистящие средства. Существует риск повреждения вследствие возврата конденсата. Установите канал для отвода воздуха чуть ниже прибора (уклон 1°).

**ОСТОРОЖНО:**

Прибор можно использовать в режиме отвода воздуха и в режиме рециркуляции воздуха.

**Режим удаления воздуха**

Всасываемый воздух очищается при помощи жирославляющих фильтров и выводится с помощью системы трубопроводов. (Рис. 3) Если вытяжной воздух выходит в неиспользуемую дымовую трубу, необходимо получить разрешение у компетентного лица, ответственного за эксплуатацию и очистку труб. Если вытяжной воздух отводится через наружную стену, следует использовать телескопический блок вкладки.



Всасываемый воздух проходит через жирославляющие фильтры и фильтр на основе активированного угля и очищенным выводится обратно в кухню. Рис. 4

**ПРИМЕЧАНИЕ!**

Вытяжной воздух не должен выходить ни через дымовую трубу, ни в шахту, служащую для вытяжной вентиляции помещений, в которых находится источник пламени.



Для устранения неприятных запахов в режиме рециркуляции необходим фильтр на основе активированного угля. Информацию о различных вариантах использования прибора в режиме рециркуляции можно получить у дилера. Необходимые для этого принадлежности можно приобрести в специализированном магазине, сервисной службе или интернет-магазине.



Приобретенный прибор поддерживает использование фильтра на основе активированного угля. Для установки угольного фильтра:

4 Чистка и техническое обслуживание

1- Поместите угольный фильтр в его корпус.
Рис. 15/1

2- Поверните угольный фильтр по часовой стрелке, чтобы убедиться, что он плотно вставлен. Рис. 15/2



Res.13



Res.14



Res.15



Если угольный фильтр установлен неправильно, он может выпасть и повредить изделие.



ОСТОРОЖНО:

Никогда не мойте угольные фильтры. Храните угольные фильтры в недоступном для детей месте.



ОСТОРОЖНО:

Не позволяйте детям самостоятельно выполнять очистку и обслуживание прибора.

- Поверхность можно поцарапать при использовании абразивных или полирующих чистящих средств. Не используйте абразивные или полирующие чистящие средства. Приобретайте чистящие средства и защитные материалы для вашего прибора, в авторизованном сервисном центре. Поверхность прибора и контроллеров чувствительна к царапинам.

- Очищайте поверхности при помощи мягкой и влажной ткани с использованием средства для мытья посуды или не едкого средства для мытья стекол. Размягчите высохшую и прилипшую грязь влажной тканью. Не используйте абразивы!

- Сухие ткани, губки, которые могут поцарапать поверхность, материалы, которые требуют натирания, песок и другие эффективные чистящие средства, содержащие минеральную воду, кислоту или хлорид, не подходят.

- Очищать поверхности из нержавеющей стали только вдоль зерна.

- Для очистки блоков управления не используйте чистящее средство для нержавеющей сталей или влажную ткань. Чистка металлических жироулавливающих фильтров. Использованные металлические жироулавливающие фильтры удерживают влагу, образующуюся на кухне, и частицы жира, содержащиеся в паре. При регулярном использовании (от 1 до 2 часов в день) очищайте металлические жироулавливающие фильтры каждые 3 месяца.

- Не используйте слишком эффективные, кислородсодержащие или агрессивные чистящие средства.

- При очистке металлических жироулавливающих фильтров используйте влажную ткань, чтобы очистить внутренние части металлических жироулавливающих фильтров.

- Металлические жироулавливающие фильтры мыть в посудомоечной машине или вручную

- Не наносите распыляющие чистящие средства непосредственно на прибор.

- Не кладите на прибор легковоспламеняющиеся и/или тяжелые декоративные предметы.

4.1 В посудомоечной машине:

- При очистке в посудомоечной машине возможно незначительное изменение цвета. Изменение цвета не влияет на работу металлических жирулавливающих фильтров.
- Не мойте сильно загрязнённые металлические жирулавливающие фильтры вместе с обычной посудой.
- Размещайте металлические жирулавливающие фильтры в посудомоечной машине так, чтобы они были расположены свободно. Размещайте металлические жирулавливающие фильтры в посудомоечной машине так, чтобы они не были зажаты другими предметами.

4.2 Очистка вручную

- При наличии стойких загрязнений можно использовать специальный растворитель жиров. Его можно заказать в интернет-магазине.
- Замочите металлические жирулавливающие фильтры в горячем мыльном растворе.
- Почистите фильтры щёткой и дождитесь пока не стечет жидкость. Затем тщательно прополощите фильтры.
- Технические характеристики и данное руководство могут быть изменены без предварительного уведомления.
- Данный прибор соответствует нормам контроля отходов электрического и электронного оборудования.
- Данная вытяжка предназначена для использования над варочной панелью. Убедитесь, что стена выдержит вес вытяжки. Расходы на дробление, резку и аналогичные процедуры, выполняемые на стене или в шкафу во время установки вытяжки, должны покрываться потребителем. Вытяжка может использоваться вместе с системой дымовой трубы, которая выпускает воздух, или без нее (путем установки угольного фильтра). Обратите внимание на проблемы, которые

могут возникнуть до или во время установки. Установку должен выполнять сертифицированный сервисный агент. Установку должен выполнять сертифицированный специалист, обладающим знаниями в сфере вентиляции. Срок службы прибора, установленный Министерством промышленности (срок наличия запасных частей, необходимых для работы прибора), составляет 10 (десять) лет.

- Во избежание повреждения компонентов прибора во время перегрузки и транспортировки его необходимо хранить в оригинальной упаковке.
- Во время работы держите прибор в правильном положении.
- Не роняйте прибор и не допускайте его повреждения во время транспортировки. Гарантия не распространяется на неисправности и повреждения, возникшие во время транспортировки после доставки прибора клиенту.

Действует только на территории РФ / Valid for Russian Federation only

beko

ГАРАНТИЯ 2 ГОДА

Адрес: 109004, Россия, Москва, ул. Станиславского, д21, стр 1. <http://www.beko.ru>
Телефон горячей линии 8-800-200-23-56 (Звонок бесплатный на всей территории России)

Гарантийный талон серия **RUS №**

Модель

Серийный номер

Дата продажи

Дата установки

Компания

Компания

Подпись продавца

Подпись мастера

ПЕЧАТЬ

ПЕЧАТЬ

Покупатель Телефон
Фамилия, Имя, Отчество

Изделие проверялось в присутствии покупателя;

Покупатель с условиями гарантии ознакомлен
Подпись Покупателя



Отрывные купоны гарантийного талона являются средством отчетности о выполнении сервисным центром гарантийных работ. Купон изымается из гарантийного талона после удовлетворения Ваших претензий.

beko

серия **RUS №**

Дата продажи

ПЕЧАТЬ
МАГАЗИНА

3

ГАРАНТИЯ 2 ГОДА

beko

серия **RUS №**

Дата продажи

ПЕЧАТЬ
МАГАЗИНА

2

ГАРАНТИЯ 2 ГОДА

beko

серия **RUS №**

Дата продажи

ПЕЧАТЬ
МАГАЗИНА

1

ГАРАНТИЯ 2 ГОДА

